

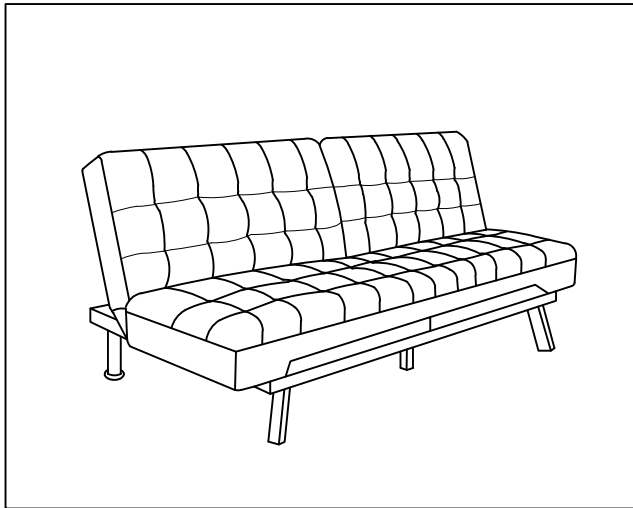


all.
together.
now.™

ASSEMBLY INSTRUCTION

Item#: KS-280 Jackson Foldable Sofa Bed

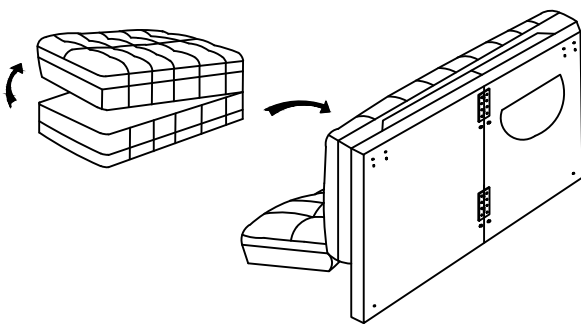
Question? Please contact with Abbyson Living
customer service at toll free:1-888-406-0838
www.abbysonliving.com



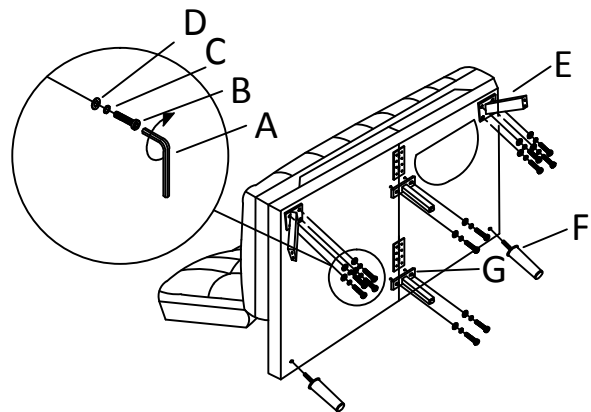
HARDWARE LIST			
NO	DESCRIPTION	SKETCH	QTY
A	Allen key		1PC
B	Bolt		12PCS
C	Spring washer		12PCS
D	Washer		12PCS
E	Front legs		2PCS
F	Rear legs		2PCS
G	Support legs		2PCS

Place the sofa frame onto a clean smooth surface such as carpet or cardboard, and carefully remove the metal legs from the fitting boxes.

Use the allen key to assemble the legs into the places as shown together with bolt (B) washer (D) spring washer (C).Screw the legs (F) into the places as shown.



Stand the unit upright onto the legs.



The assembly is complete.

