

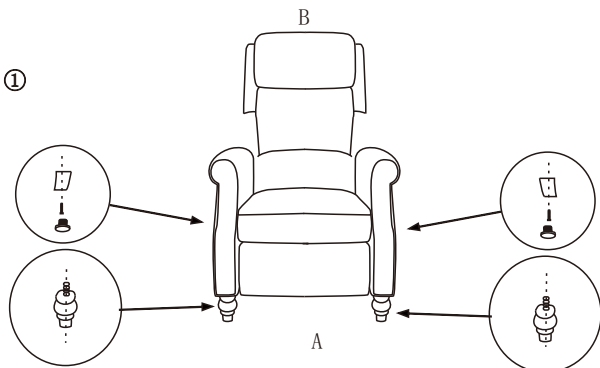
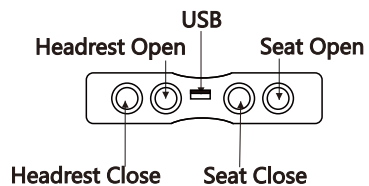
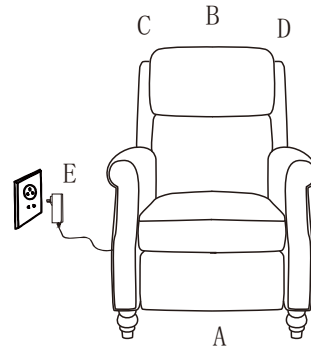
# ASSEMBLY INSTRUCTION

7654-50PH/RC100-PH

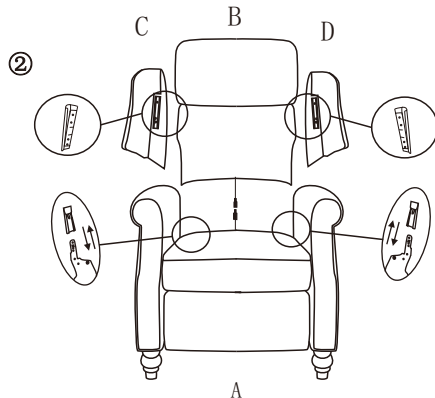
Read instruction carefully prior to assembly.

Thank you for purchasing this quality product. Check carefully for small parts which may have come loose during shipment. Remove all components from pack and place them on soft surface such as carpet or cloth to prevent scratching. Identify and count all parts as specified below.

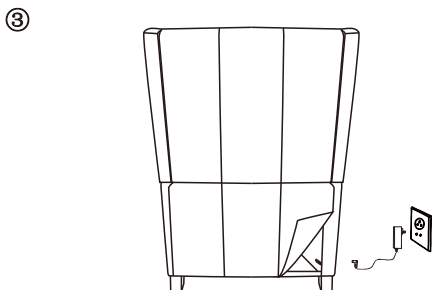
Parts List			
NO .	DESCRIPTION	SKETCH	QTY
A	Seat		1PC
B	Back Cushion		1PC
C	Left Wing		1PC
D	Right Wing		1PC
E	Power cord		1PC
F	Bolt		2PC
G	front leg		2PC
H	Back leg		2PC
I	Glide		2PC



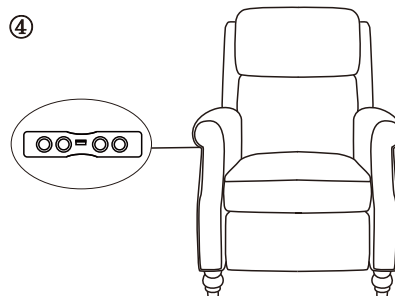
1. Please assemble the legs first before turning over the chair in order to avoid motor broken. Take down the bag from the bottom of the chair, legs are packed inside. Assemble the legs as the picture shows above.



2. Place Bracket into Sleeve and press top of back down firmly to lock your KD back and KD wings in place. Connect the connector of back and seat.



3. Connect the connector from motor to the power cord and transformer



4. Use the handcontroller to enjoy your Hooker® Furniture

### CAUTION

Do not allow children to play on this mechanism furniture or operate the mechanism. Leg rest folds down on closing so that child could possibly be injured. Always leave in an upright and closed position and keep hands feet clear of mechanism. Only the occupant should operate it.

**MADE IN VIETNAM**