
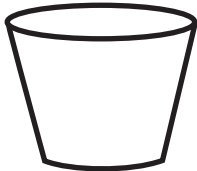
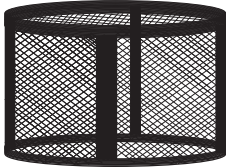
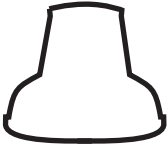



# ASSEMBLY INSTRUCTION FIREPIT

 **SAFAVIEH**  
FURNITURE

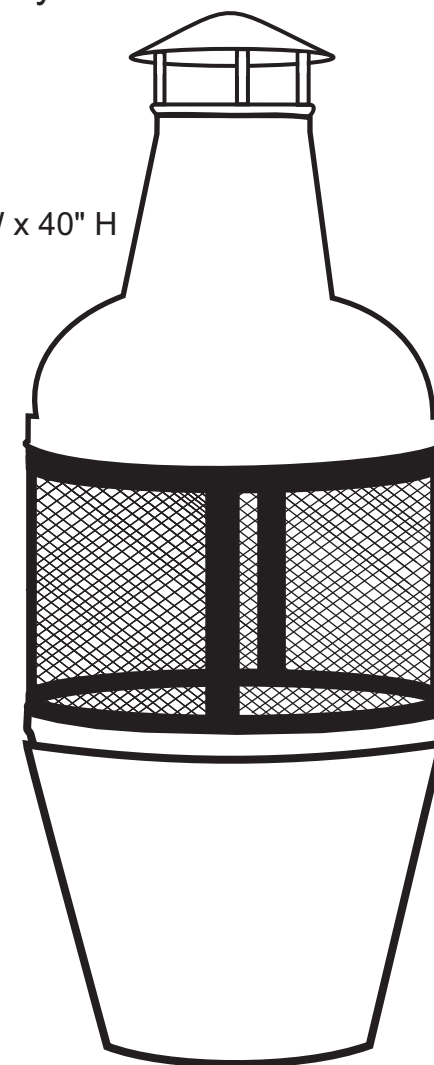
## NOTICE

- \* Please make sure that you have all parts indicated before you begin assembly of this item
- \* This item should be assembled on a soft surface to prevent scratching the finish during assembly

PIECE	DESCRIPTION	PICTURE	QUANTITY
B	BOWL		1X
S	STAND		1X
N	NET		1X
CC	CHIMNI COVER		1X
C	CAP		1X

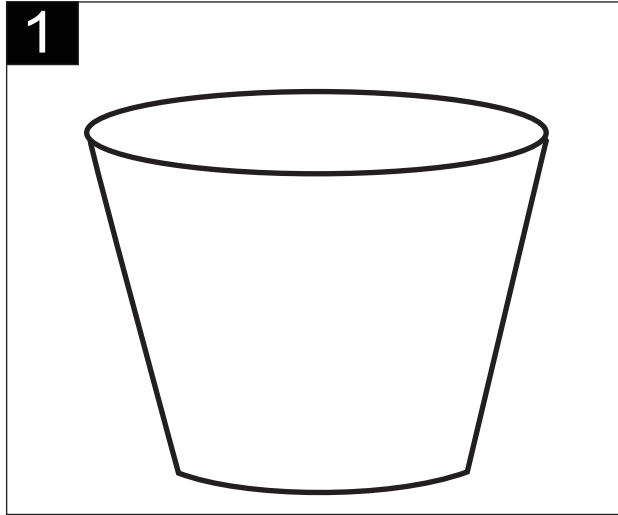
Model#PIT1001A

Product Dimensions: 18"L x 18" W x 40" H

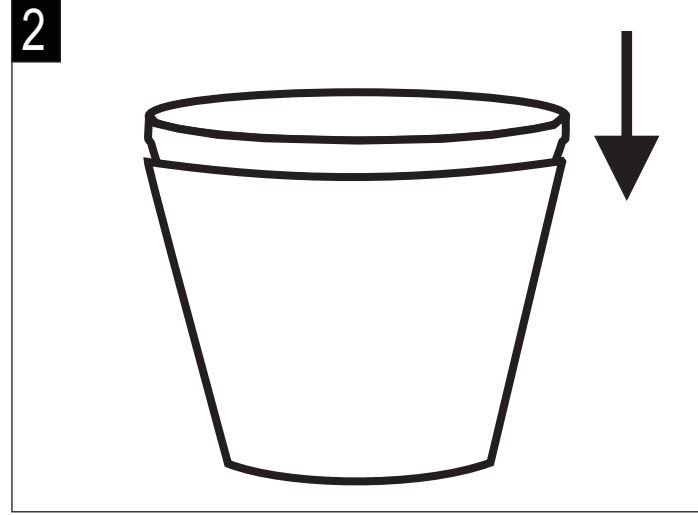


## PREPARATION

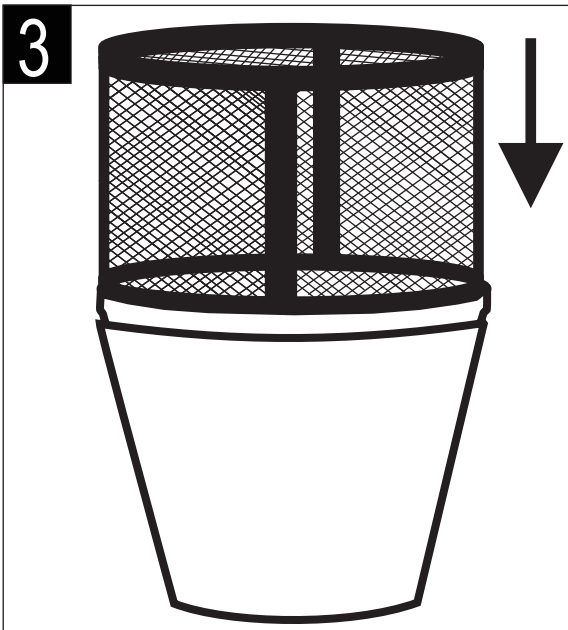
Before beginning assembly of product, make sure all parts are present. Compare parts with package contents list and hardware contents list. If any part is missing or damaged, do not attempt to assemble the product.



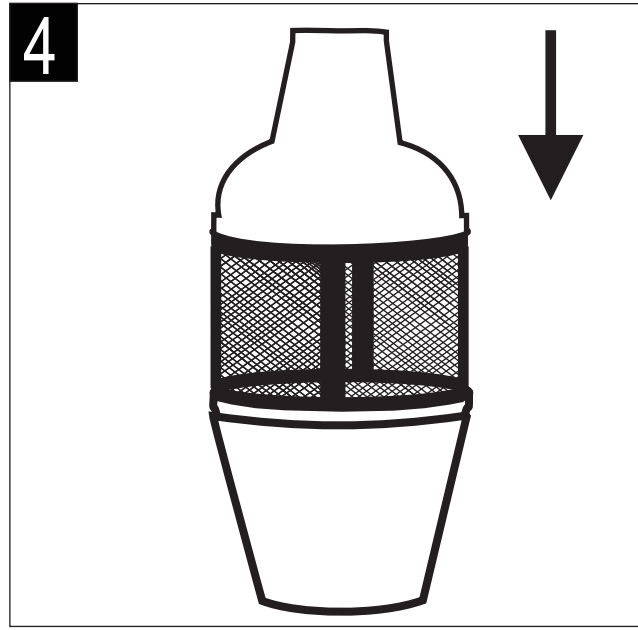
**Step 1 :** Place the stand(S) on a plane surface.



**Step 2:** Place the bowl(B) on to the stand.



**Step 3:** Place the net(N) on the top of the bowl.



**Step 4:** Place the chimni cover(CC) on the top of the net



**Step 5:** Place the cap(C) on the top of the chimni cover .

## FIRE PIT CARE & SAFETY

### INSPECTING:

This outdoor fire pit should be inspected on a regular basis to ensure product safety and longer product life. Do NOT attempt to inspect this outdoor fire pit until the fire is COMPLETELY out.

1. Check handles to make sure they are secure.
2. Check components for any signs of damage or rust.
3. If damage to any component is detected, do NOT operate until repairs are executed.

### CLEANING:

This outdoor fire pit should be cleaned on a regular basis to promote safer experiences and longer product life. Note: After repeated use, a slight discoloration of the finish may occur. Do NOT attempt to clean this outdoor fire pit until the fire is COMPLETELY out. Do NOT use oven cleaner or abrasive cleaners as

they will damage this product. Do NOT clean any part of this outdoor fire pit in a self-cleaning oven as it may damage the finish.

1. Wipe exterior surfaces with a mild dishwashing detergent or baking soda.
2. For stubborn surfaces use a citrus based degreaser and a nylon scrubbing brush.
3. Rinse clean with water.
4. Remove built-up creosote from components with a chimney cleaning product.

### STORAGE:

Do NOT move or store this outdoor fire pit until the fire is COMPLETELY out.

1. Once the fire is out, coals are cold and outdoor fire pit is cool to the touch, remove ashes and properly dispose.
2. Cover outdoor fireplace with a durable vinyl cover designed to fit this unit.
3. Store assembled in a location away from children and pets.

Note: If you do not use a cover, store this outdoor fire pit in a dry location to maximize product life.