

outdoor Interiors.

bringing style and solutions to your patio & garden

STOP! PLEASE READ FIRST:





Thank you for purchasing this item from Outdoor Interiors.

Please verify all the hardware and components are included as you unpack the carton. Place the items in a safe area to avoid loss and damaging contents. Use a soft area or the empty box to assemble the item.

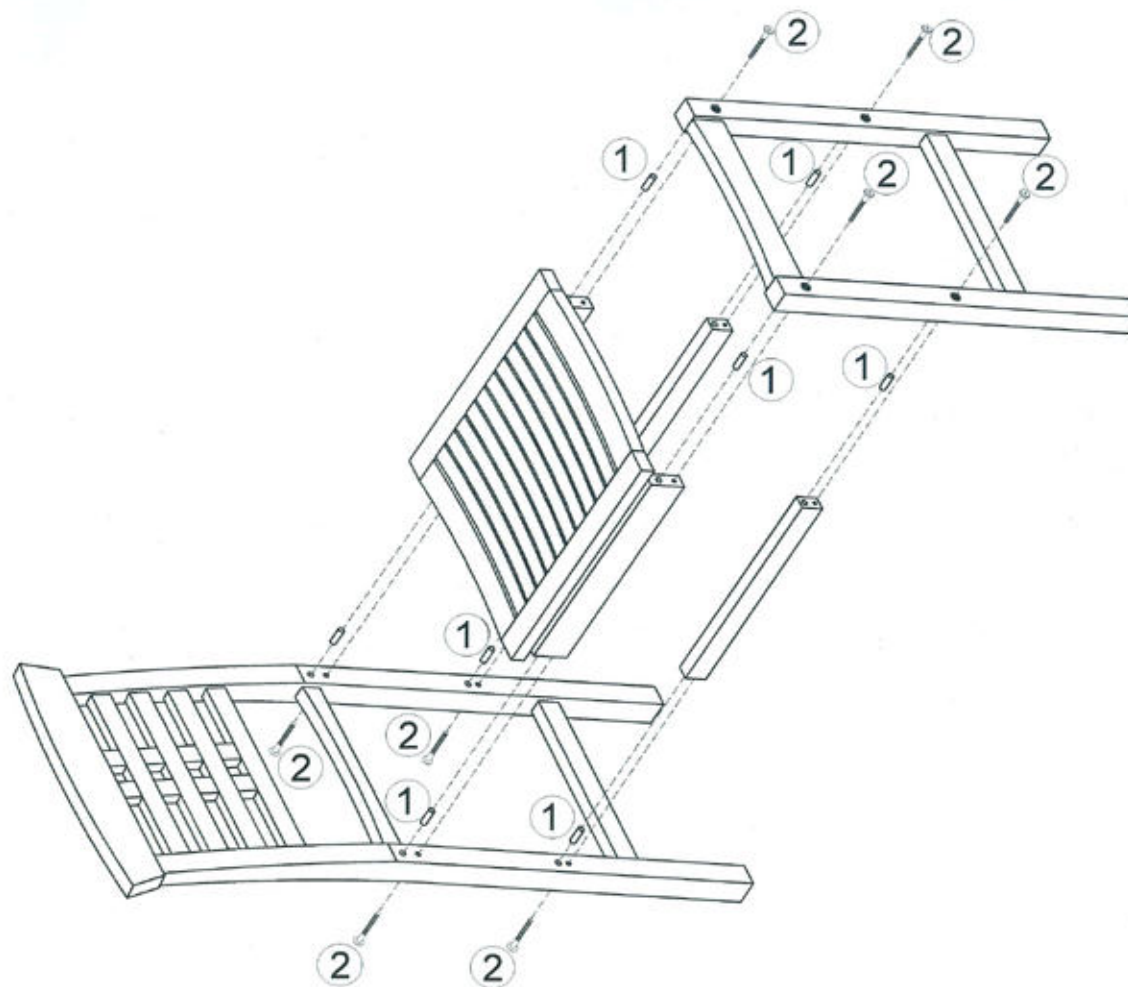
ASSEMBLY TIPS: Assemble on its side while following pictured instructions. Never over-tighten any screws or bolts. It's best to assemble with 2 people. Please visit our website if you have any questions www.outdoorinteriors.com.

Please review the "PLEASE OIL ME" card for how to care & maintain your new furniture.

LIST OF HARDWARE

NO.	HARDWARE	QTY.
1	WOODEN DOWEL 10*40 	08
2	F - CREW 7*90 	08
3	ALLEN KEY A4 	01
4	Portable Drill Bit 	01

ASSEMBLY INSTRUCTIONS FOR 10030 - BAR CHAIR



STEP 1
ASSEMBLE WITH THE CHAIR BACK
ON SOFT SURFACE AS SHOWN ABOVE.

