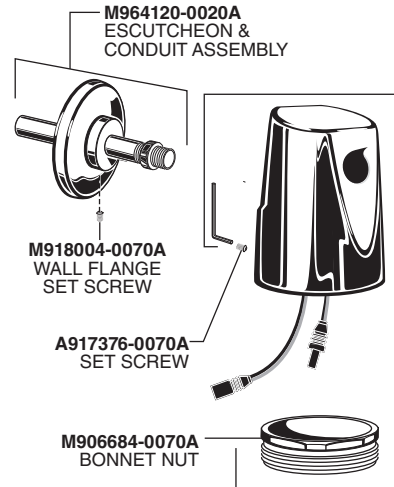


American Standard

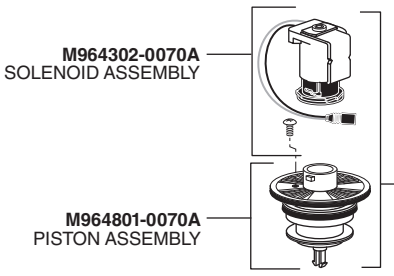
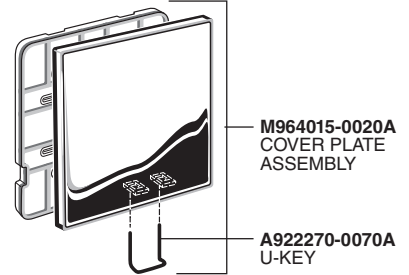
AFTER NOVEMBER 2017

SELECTRONIC®
AC POWERED PROXIMITY
EXPOSED URINAL FLUSH VALVE
0.125 0.25 0.5 & 1.0 GPF

MODEL NUMBERS			
606B.101	606B.051	606B.025	606B.013



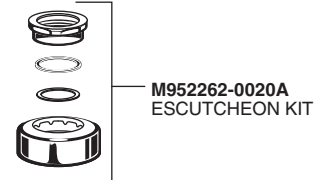
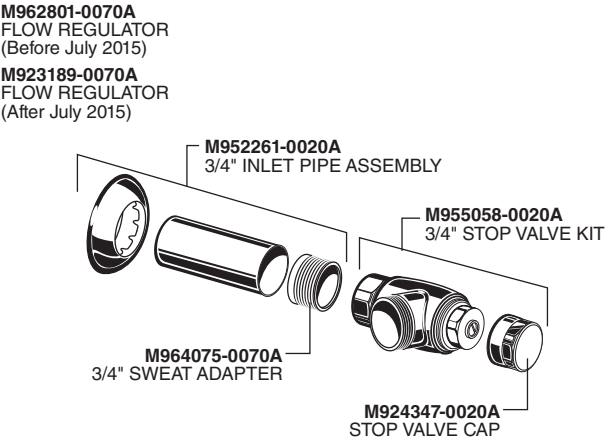
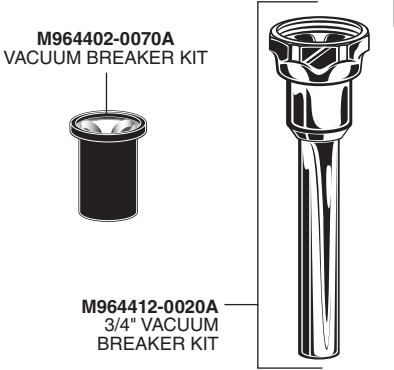
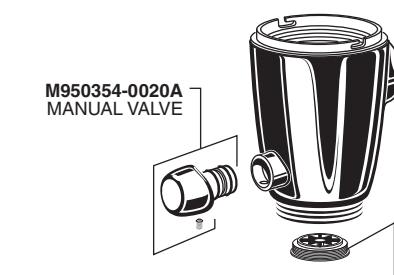
- M970345-0020130A
COVER ASSEMBLY (0.125 gpf)
- M970345-0020250A
COVER ASSEMBLY (0.25 gpf)
- M970345-0020500A
COVER ASSEMBLY (0.5 gpf)
- M970345-0021000A
COVER ASSEMBLY (1.0 gpf)



- M950319-0070130A
SENSOR ASSEMBLY
(0.125 gpf)
- M950319-0070300A
SENSOR ASSEMBLY
(0.25 gpf)
- M950319-0070500A
SENSOR ASSEMBLY
(0.5 gpf)
- M950319-0071000A
SENSOR ASSEMBLY
(1.0 gpf)



- A912809-0070A
O-RING
- M964945-0020A
ADJUSTABLE TAILPIECE
(4-1/4" to 5-1/4" Rough-in)
- OPTIONAL ADJUSTABLE TAILPIECE
(Purchased Separately)
- M962836-0020A (8-1/4" to 9-1/4" Rough-in)
- M962835-0020A (7-1/4" to 8-1/4" Rough-in)
- M962834-0020A (6-1/4" to 7-1/4" Rough-in)
- M962833-0020A (5-1/4" to 6-1/4" Rough-in)



POWER KITS

Hard-Wired AC

- M950360-0070A
CONNECTOR
LOCKING DEVICE
- M950511-0070A
10' EXTENSION
CABLE
- M950527-0070A
POWER SUPPLY

Multi-AC

- M950512-0070A
Y-ADAPTER
- M950511-0070A
10' EXTENSION

HOT LINE FOR HELP
 For toll-free information and answers to your questions, call:
 (844) CRT-TEAM / (844) 278-8326
 Mon. - Fri. 8:00 a.m. to 8:00 p.m. EST Sat. 10:00 a.m. to 4:00 p.m. EST
 IN MEXICO 01-800-839-1200
 IN CANADA 1-800-387-0369 (TORONTO 1-905-306-1093)
 Weekdays 8:00 a.m. to 7:00 p.m. EST

Product names listed herein are trademarks of AS America, Inc. ©2017

To learn more about American Standard Selectronic® Products visit our website at:
www.americanstandard-us.com or e-mail us at: CRTTEAM@lifixamericas.com

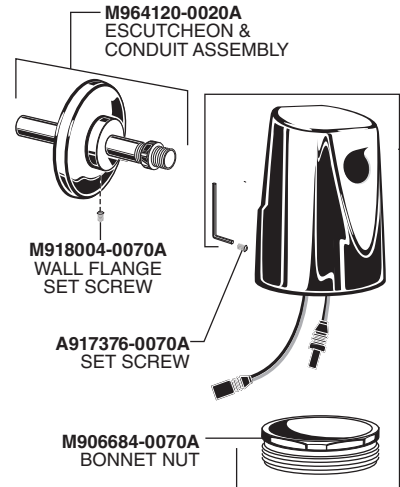
PART OF LIXIL

American Standard

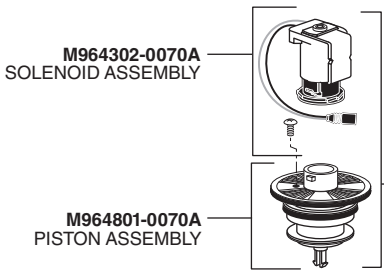
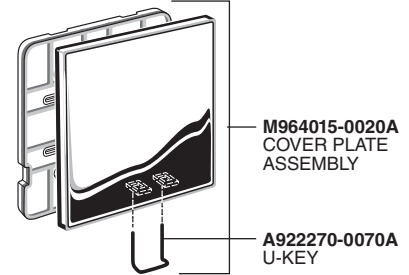
BEFORE NOVEMBER 2017

SELECTRONIC®
AC POWERED PROXIMITY
EXPOSED URINAL FLUSH VALVE
0.125 0.25 0.5 & 1.0 GPF

MODEL NUMBERS			
606B.101	606B.051	606B.025	606B.013



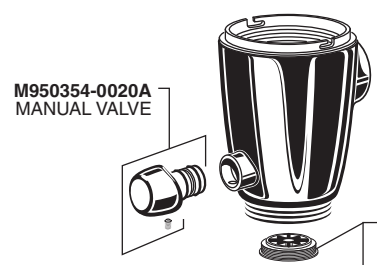
- M964943-0020130A
COVER ASSEMBLY (0.125 gpf)
- M964943-0020250A
COVER ASSEMBLY (0.25 gpf)
- M964943-0020500A
COVER ASSEMBLY (0.5 gpf)
- M964943-0021000A
COVER ASSEMBLY (1.0 gpf)



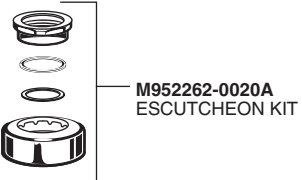
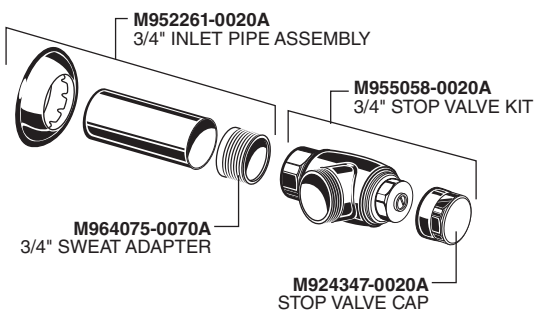
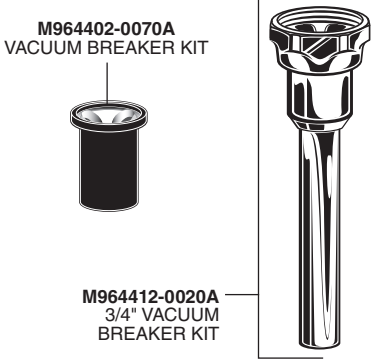
- M950319-0070130A
SENSOR ASSEMBLY
(0.125 gpf)
- M950319-0070300A
SENSOR ASSEMBLY
(0.25 gpf)
- M950319-0070500A
SENSOR ASSEMBLY
(0.5 gpf)
- M950319-0071000A
SENSOR ASSEMBLY
(1.0 gpf)

- M964802-0070A
SOLENOID & PISTON
SUBASSEMBLY

- A912809-0070A
O-RING



- M964945-0020A
ADJUSTABLE TAILPIECE
(4-1/4" to 5-1/4" Rough-in)
- OPTIONAL ADJUSTABLE TAILPIECE
(Purchased Separately)
- M962836-0020A (8-1/4" to 9-1/4" Rough-in)
- M962835-0020A (7-1/4" to 8-1/4" Rough-in)
- M962834-0020A (6-1/4" to 7-1/4" Rough-in)
- M962833-0020A (5-1/4" to 6-1/4" Rough-in)



POWER KITS

Hard-Wired AC

- M950360-0070A
CONNECTOR
LOCKING DEVICE
- M950511-0070A
10' EXTENSION
CABLE
- M950527-0070A
POWER SUPPLY

Multi-AC

- M950512-0070A
Y-ADAPTER
- M950511-0070A
10' EXTENSION

HOT LINE FOR HELP

For toll-free information and answers to your questions, call:

(844) CRT-TEAM / (844) 278-8326
 Mon. - Fri. 8:00 a.m. to 8:00 p.m. EST Sat. 10:00 a.m. to 4:00 p.m. EST
 IN MEXICO 01-800-839-1200
 IN CANADA 1-800-387-0369 (TORONTO 1-905-306-1093)
 Weekdays 8:00 a.m. to 7:00 p.m. EST

Product names listed herein are trademarks of AS America, Inc. ©2017

To learn more about American Standard Selectronic® Products visit our website at:
www.americanstandard-us.com or e-mail us at: CRTEAM@lixilamericas.com

PART OF **LIXIL**