

veradek ——— outdoor

BRIXTON SERIES

# hanging window box instructions



# parts and components



bracket bolt  
x4



cap nut  
x4



bracket screw  
x4



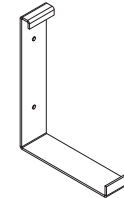
screw  
x4



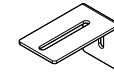
hex nut  
x4



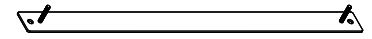
railing bracket  
x2



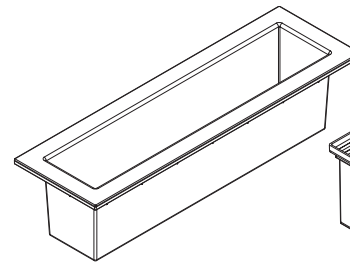
planter bracket  
x2



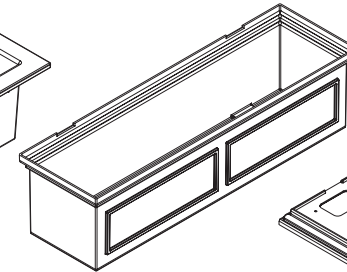
sliding bracket  
x2



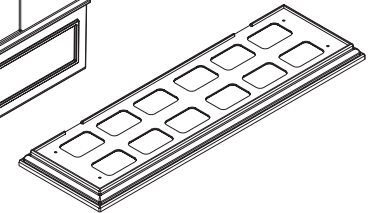
leveling bar  
x1



planter basin x1

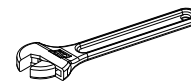


planter x1

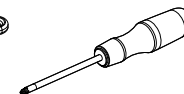


riser x1

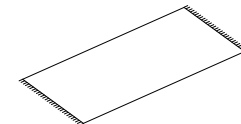
not included



wrench



phillips  
screwdriver

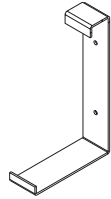


a soft working surface  
for assembling your items

# step 1



bracket screw x4



planter bracket x2



railing bracket x2

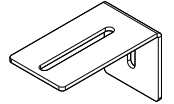
# step 2



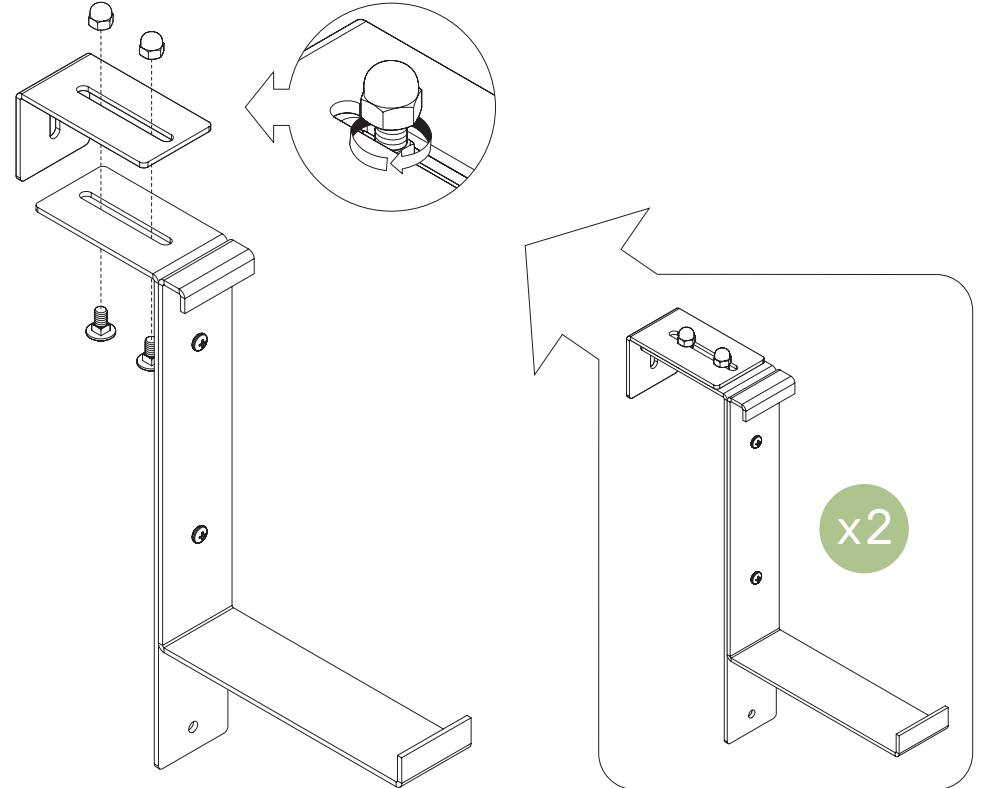
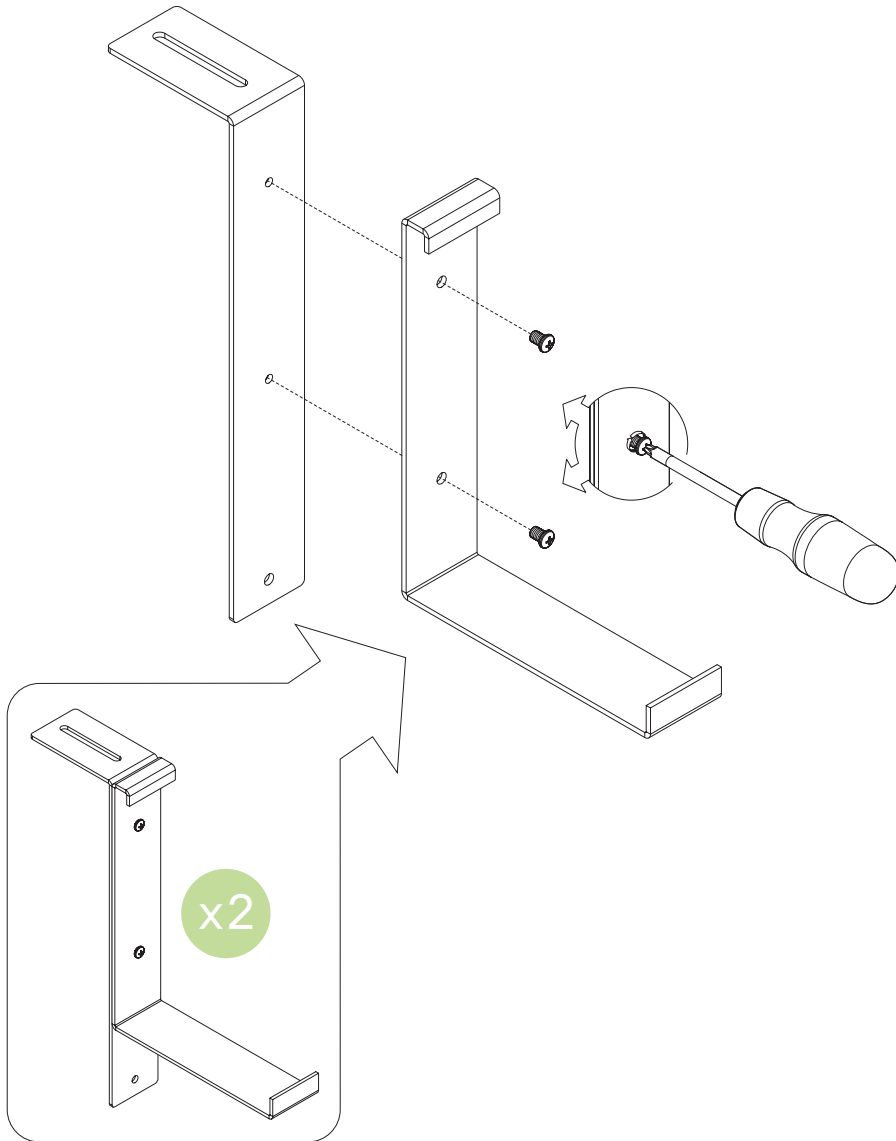
bracket bolt x4



cap nut x4

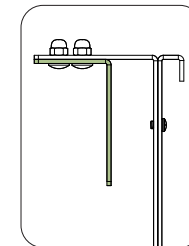


sliding bracket x2

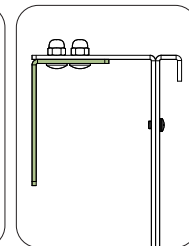


The mounting bracket can be configured in a small, medium, or large orientation to be mounted on railings 1" to 5.5" wide.

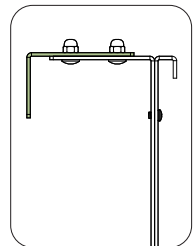
Please mount brackets based on your specific mounting needs.



sm1 - 1" - 1.5"

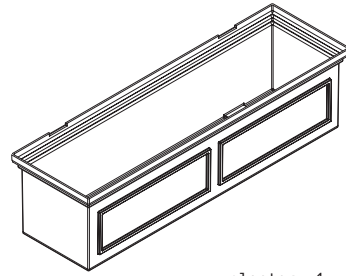


med - 2" - 3.5"



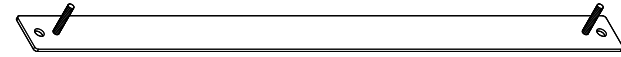
lrg - 3.5" - 5.5"

# step 3



planter x1

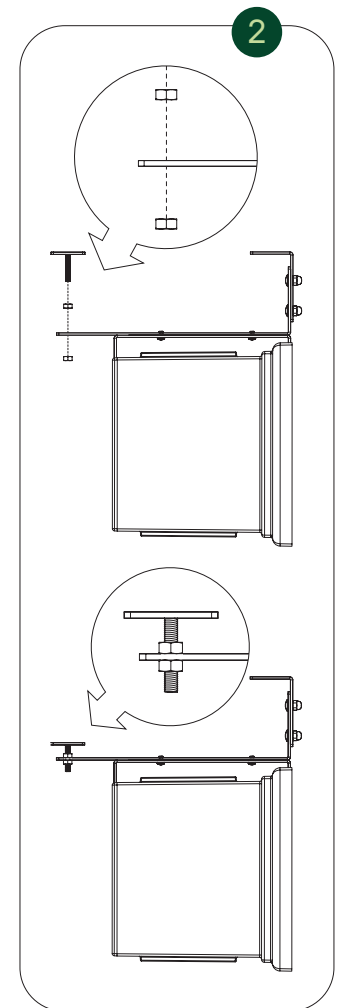
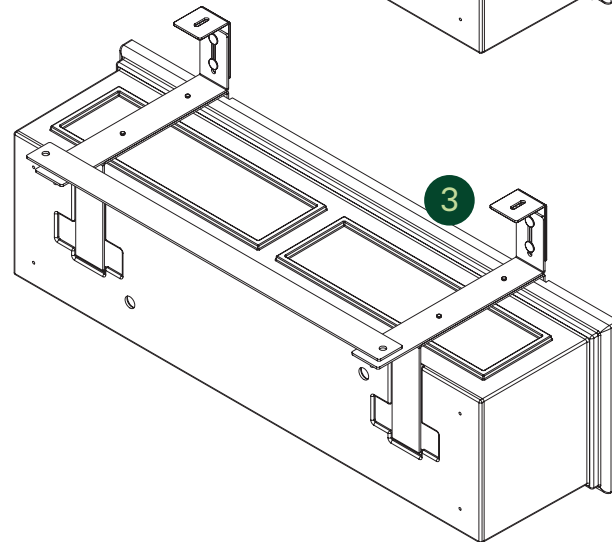
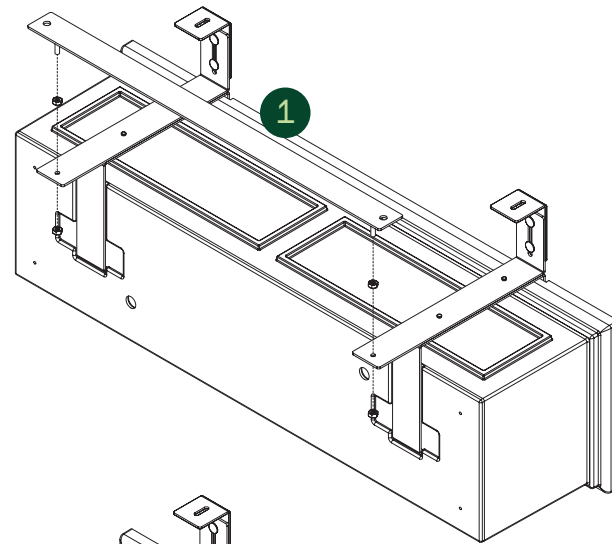
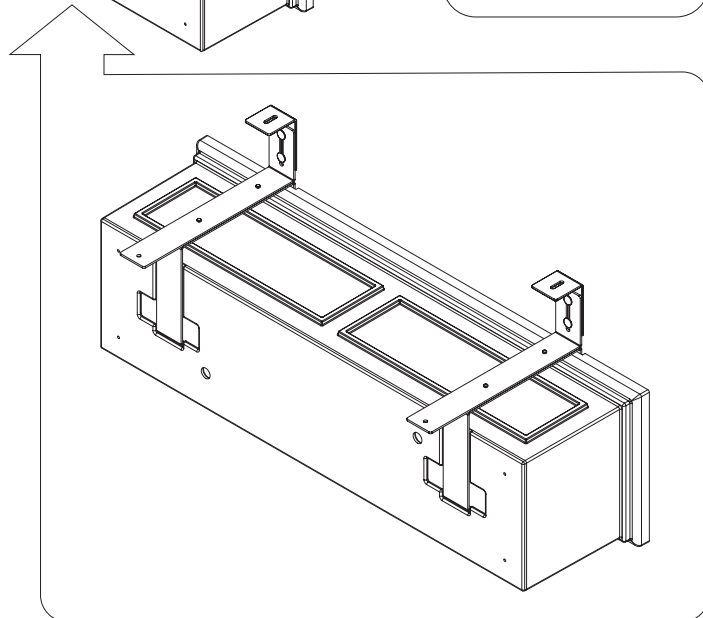
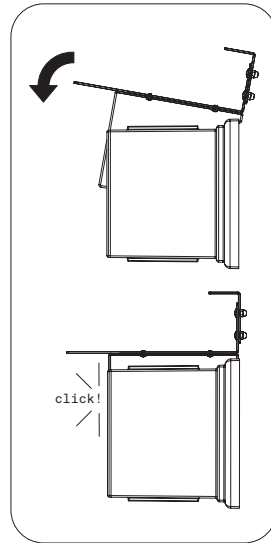
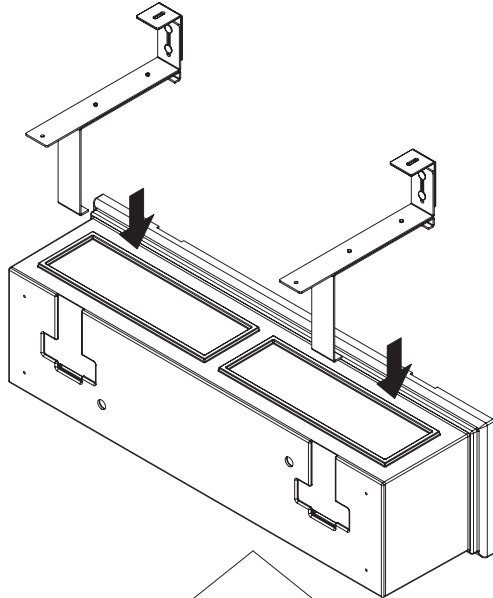
# step 4



leveling bar x1



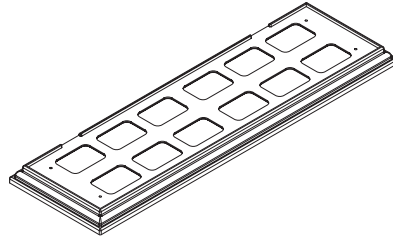
hex nut x4



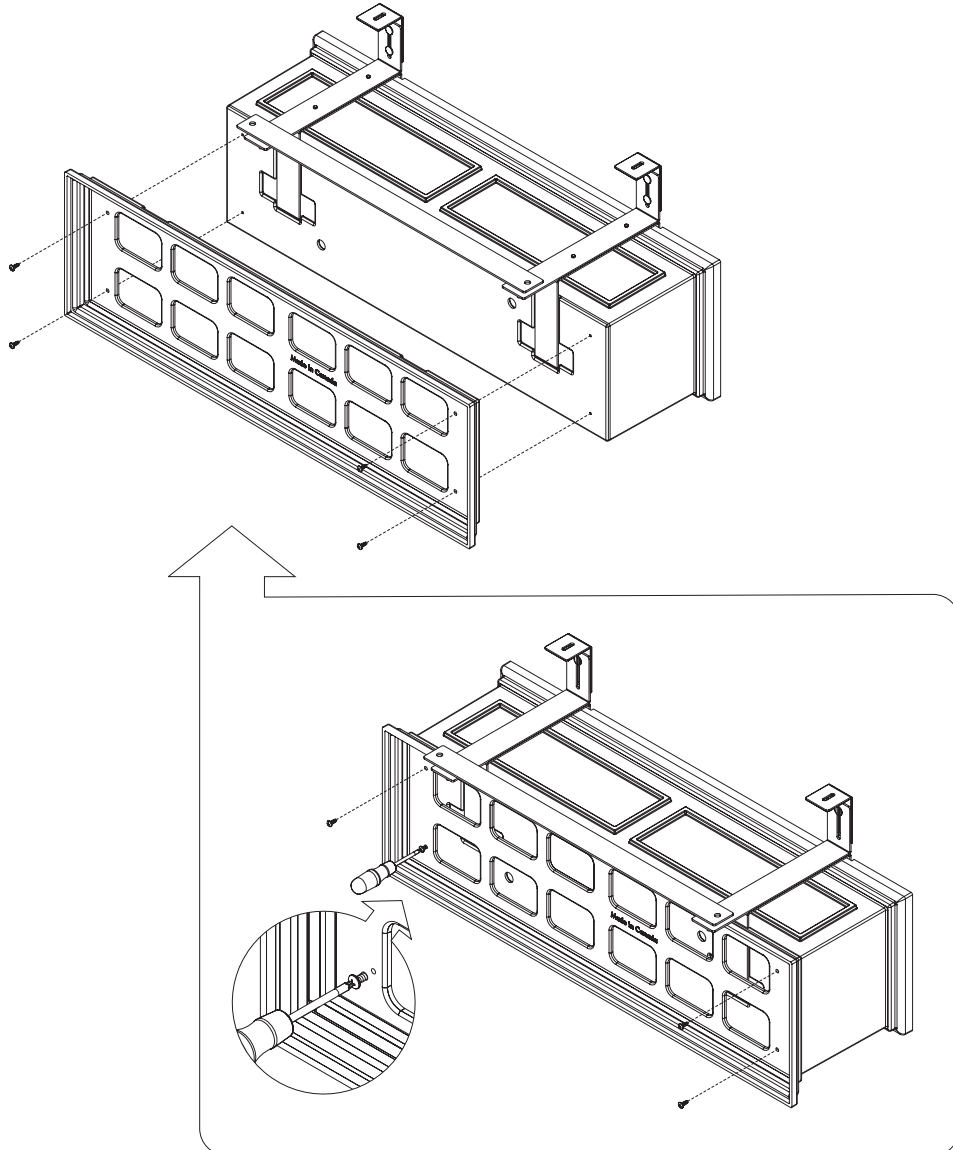
# step 5



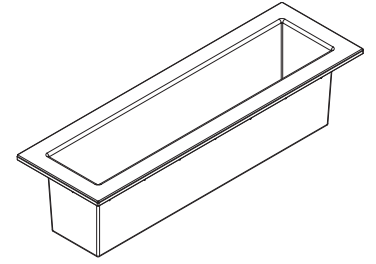
screw x4



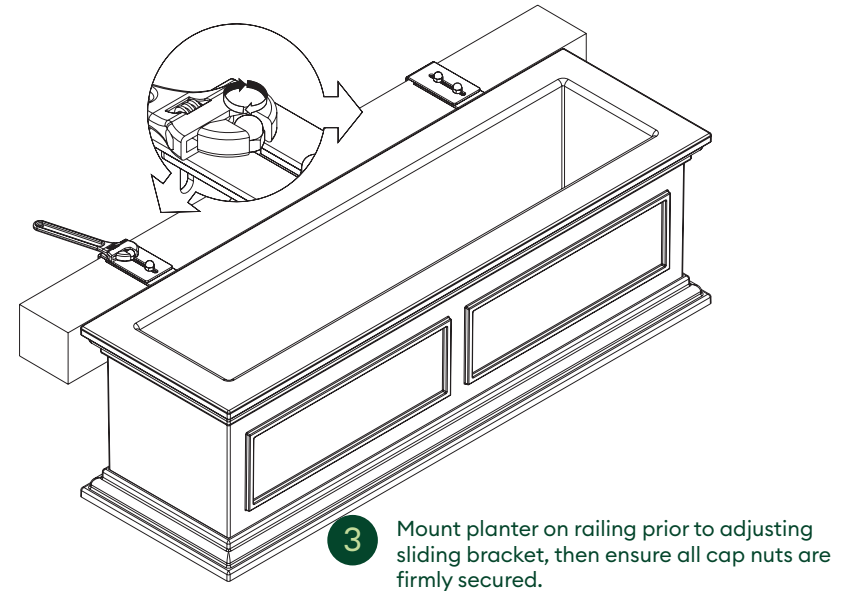
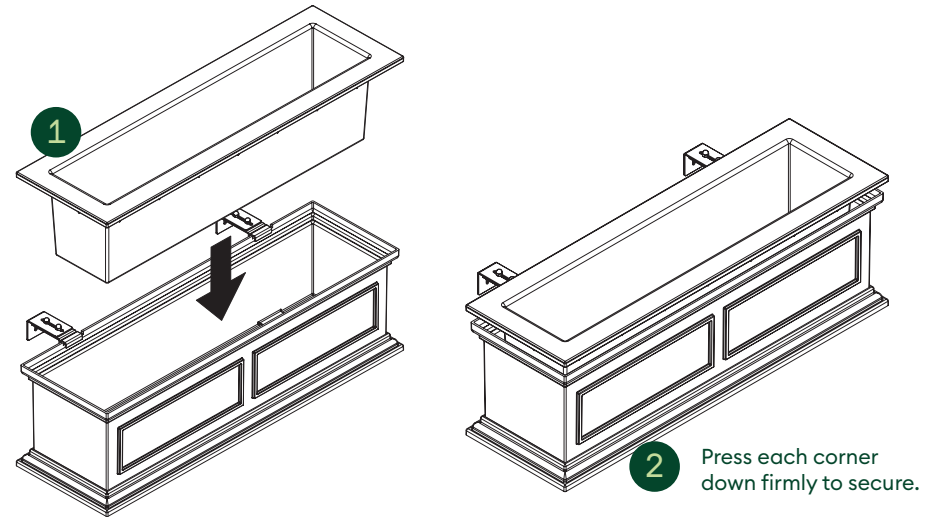
riser x1



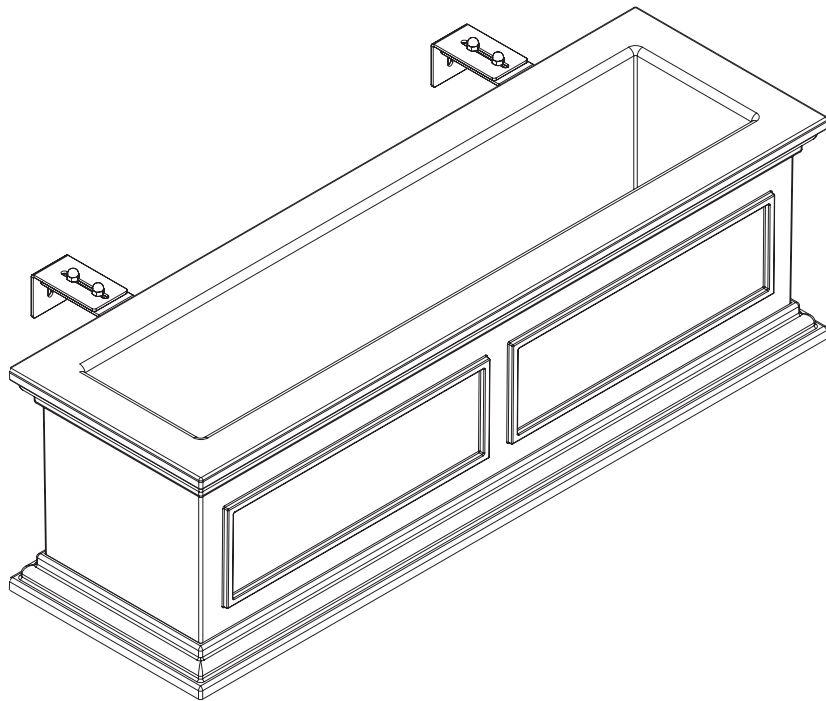
# step 6



planter basin x1



# complete



share your outdoor space with [#MYVERADEK](#)

## meet the *family*

Hi! We're the Brixton Planter Series, and we bring the charm. With our Victorian-inspired trims and asymmetrical designs, we will add that estate garden look and feel to your space.



01 cube - 02 long - 03 tall - 04 window box - 05 hanging window box

meet you  
outside

veradek ——— outdoor