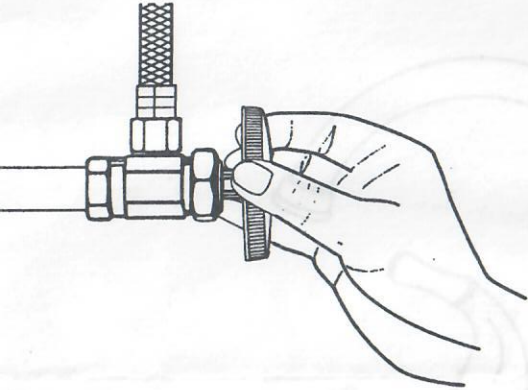


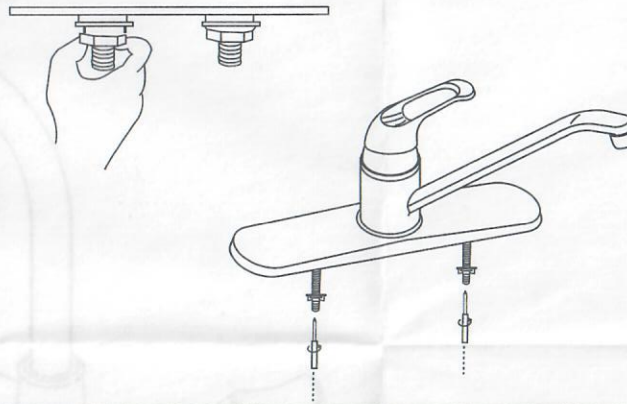
INSTALLATION INSTRUCTIONS

Shut off water supply and remove old faucet



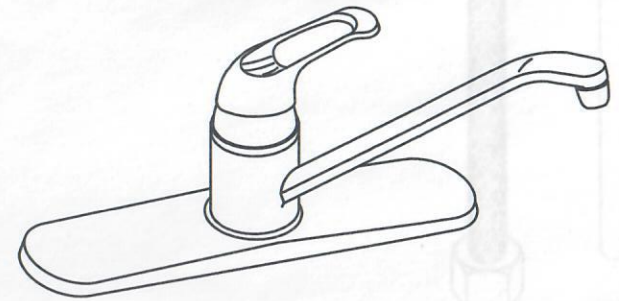
2

Install faucet on the sink with the hot "H" to the left and cold "C" to the right. From under the sink, place mounting nuts on the threaded shanks and tighten nuts (2 handles), or thread mount studs into faucet (single handle) and tighten nuts.

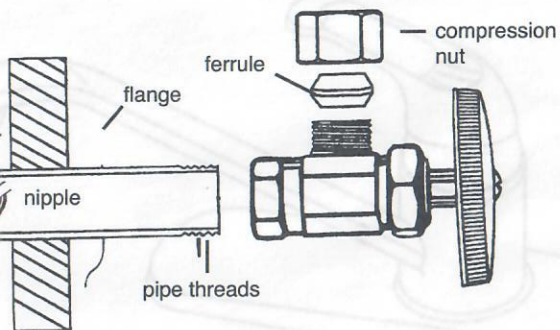


3

Place faucet on sink down through holes in sink. You can use silicon sealant to provide a seal between black undercover plates and sink counter.

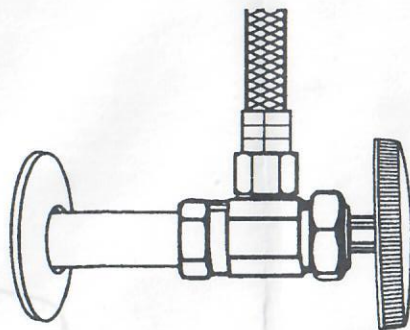


4 Connect hot and cold water supply tubes to shut off valves and to faucet. Tighten firmly. Be careful not to over tighten.



5

Turn on hot and cold water supply valves. Check for any leaks, especially at hookups to supply lines. Tightening nuts slightly will stop any minor leaks.



6

Important: after installation is complete, remove aerator, turn on water supply and allow both hot and cold water to run at least one minute each. While water is running, check for leaks. Replace aerator.

