



**TF-17003ORB-T  
Waterfall Vessel Faucet**

Requested By: \_\_\_\_\_

Specific Features: \_\_\_\_\_

**STANDARD SPECIFICATIONS:**

- Oil Rubbed Bronze finish with tea glass
- Single handle control
- Solid brass construction
- High pressure ceramic cartridge
- Single hole deck mount installation
- 1.5-inch diameter hole required
- cUPC and AB1953 low lead compliant
- ASME A112.18.1-2011/CSA B125.1-11
- NSF 61 and NSF 372 certified

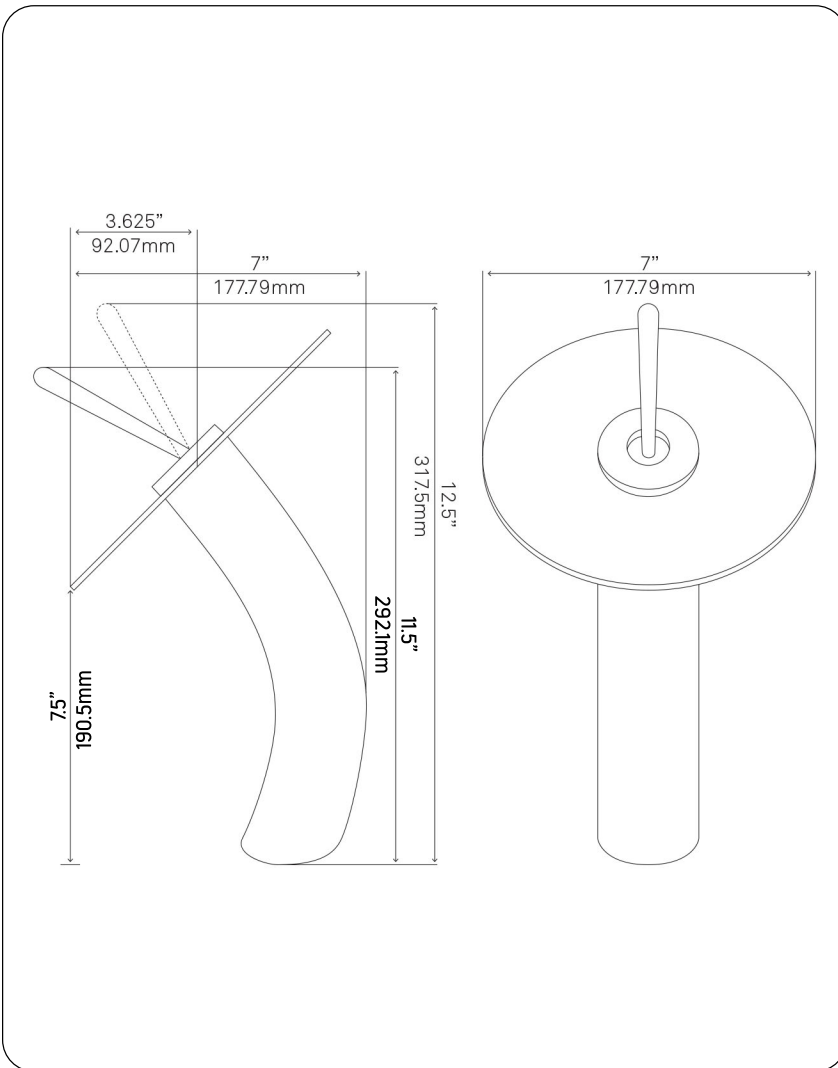
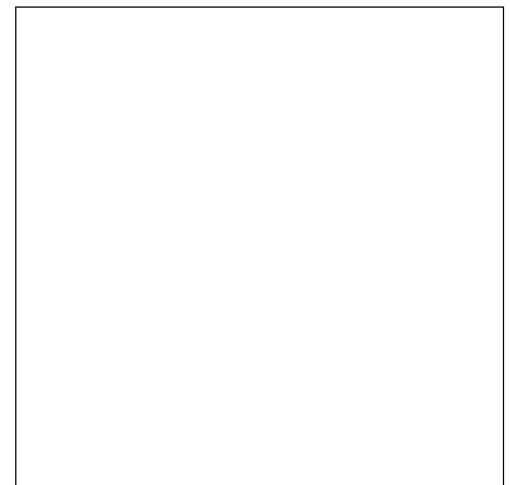
**WARRANTY:**

Limited lifetime warranty

**COORDINATING ACCESSORIES:**

- TA-PDORB pop-up drain
- TA-MRORB mounting ring
- Glacier Ice Restoration and Sealer kit

**NOTES**



Topia reserves the right (1) to make changes in specifications and materials, and (2) to change or discontinue models, both without notice or obligation. Dimensions are for reference only.