

ASSEMBLY INSTRUCTION FOR ACME FURNITURE

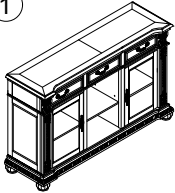



Model #10321

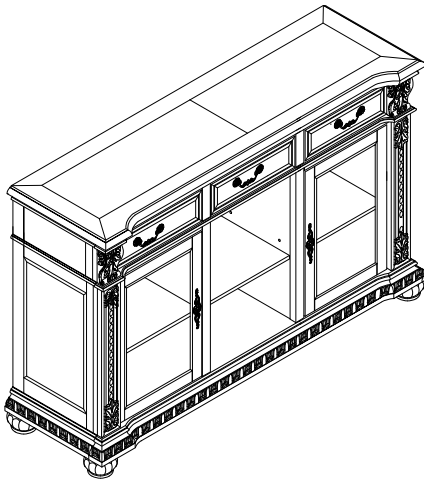
DESCRIPTION: TV STAND

Thank you for purchasing this quality product. Be sure to check all packing materials carefully for small parts, which may have come loose inside the carton during shipment. Identify and count all parts and compare with the parts list below.

**** Do not fully tighten screws until fully assembled ****

PART LIST:

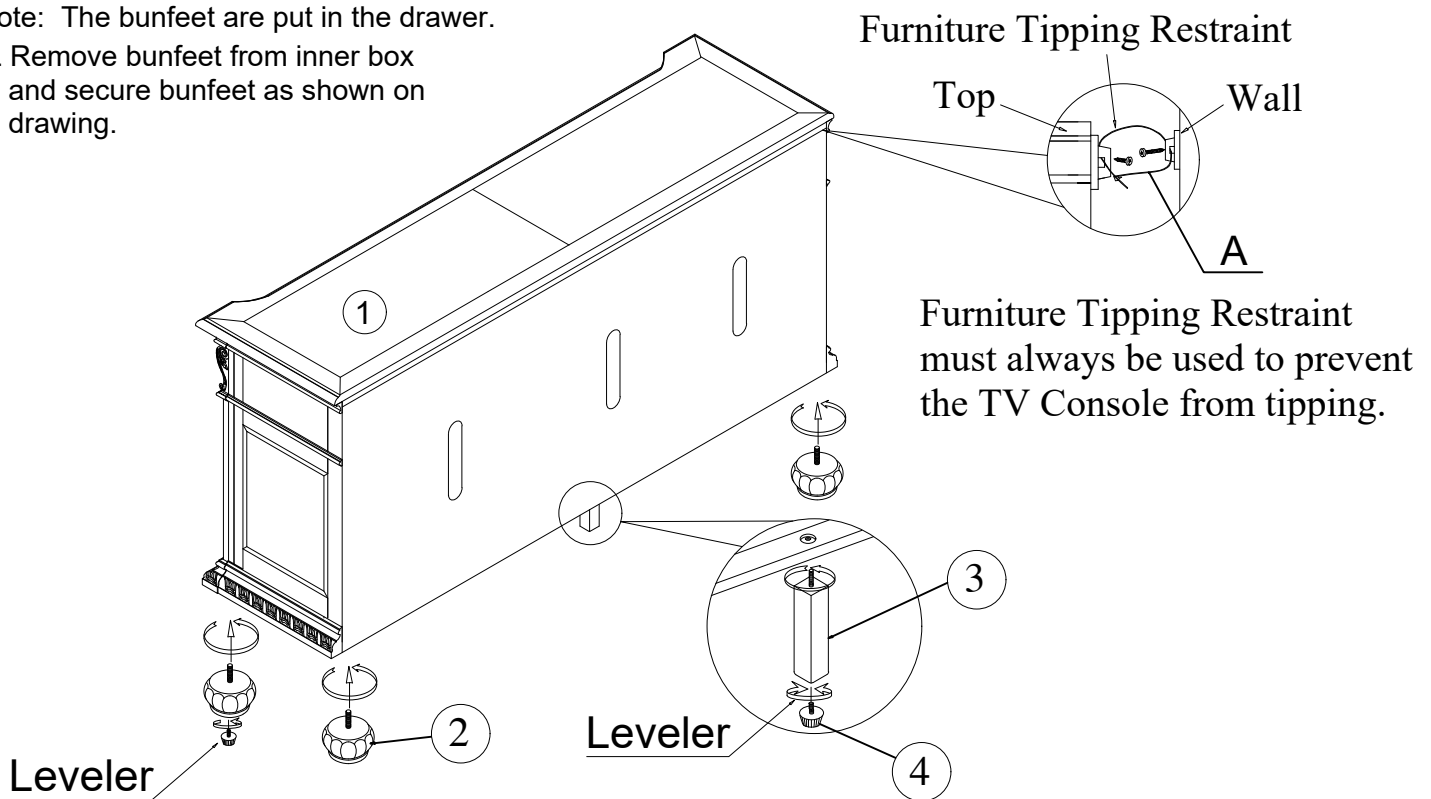
①	②	③	④
			
TV Stand: 1PC	BUNFEET:4PCS	SUPPORT LEG:1PC	LEVELER:3PCS



HARDWARE LIST			
NO.	Drawing	Description	Q'ty
A		Furniture Tipping Restraint	1 SET

Note: The bunfeet are put in the drawer.

1. Remove bunfeet from inner box and secure bunfeet as shown on drawing.



CLEANING INSTRUCTION

Clean the surface of the TV STAND with furniture polish and a soft cloth.

Attention

*** Some number parts listed on the instruction sheet may not be in parts bag as they may be assembled. Carefully check parts and packing materials prior to ordering replacements.***

ASSEMBLY INSTRUCTIONS FOR ACME FURNITURE

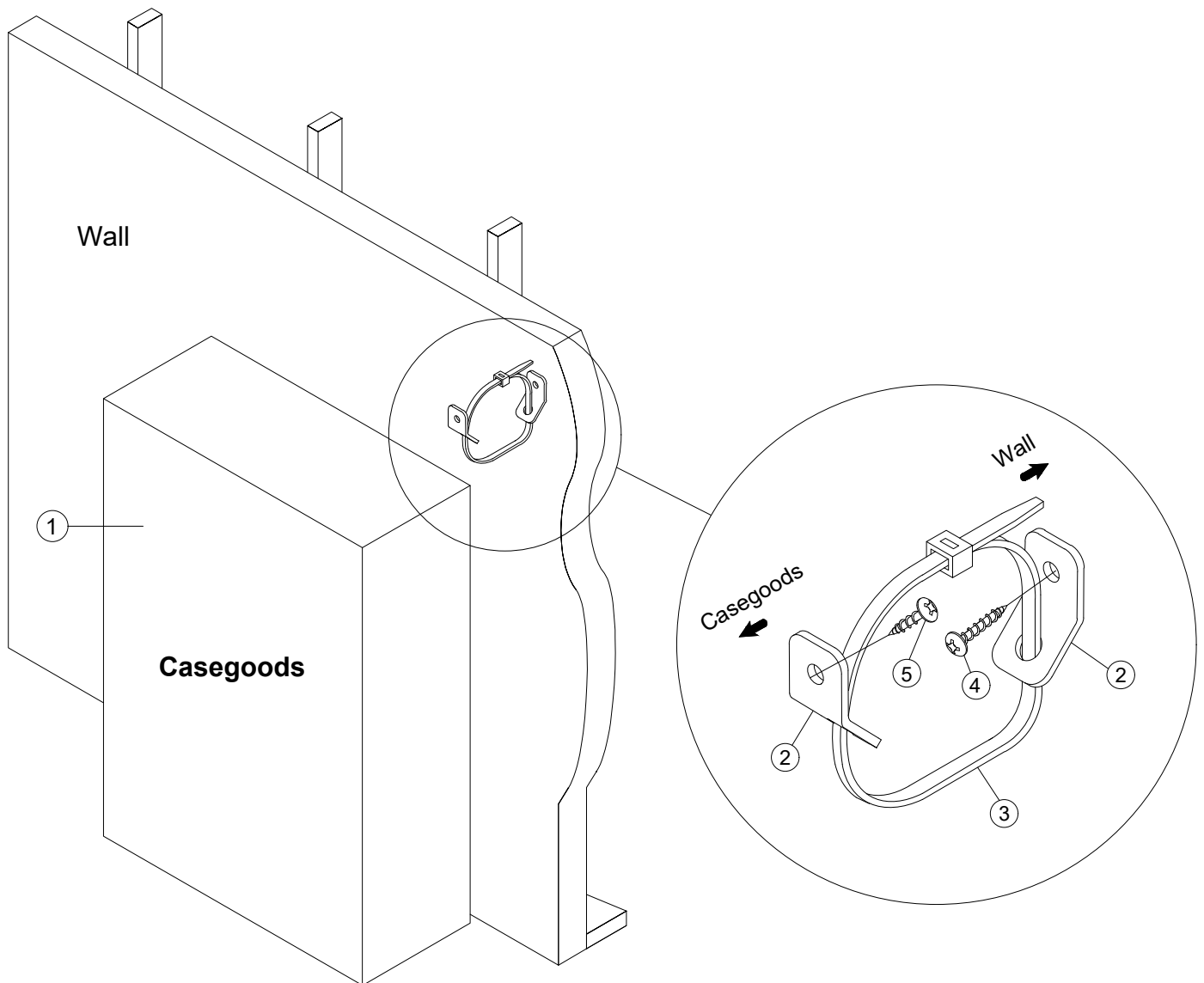
ANTI-TIPPING INSTALLMENT

Thank you for purchasing the quality product. Be sure to check all packing material carefully for small parts which may have come loose inside the carton during shipment. Separate, identify and count all parts and metal hardware. Compare with all parts list to be sure all parts are present. If any part (s) are missing or damaged, please contact your local furniture dealer. For efficient and speedy service, please indicate the model number and code letter of part (s) needed.

*****Do not fully tighten bolts and screws until fully assembled*****

PART LIST :

PART#	DESCRIPTION	QTY
1	Casegoods	1
2	Bracket	2
3	Strap	1
4	Long Screws 50mm	1
5	Short Screws 15mm	1



Attention:

***Some number parts listed on the instruction sheet may not be in parts bag as they may already be assembled. Carefully check parts and packing materials prior to ordering replacements.