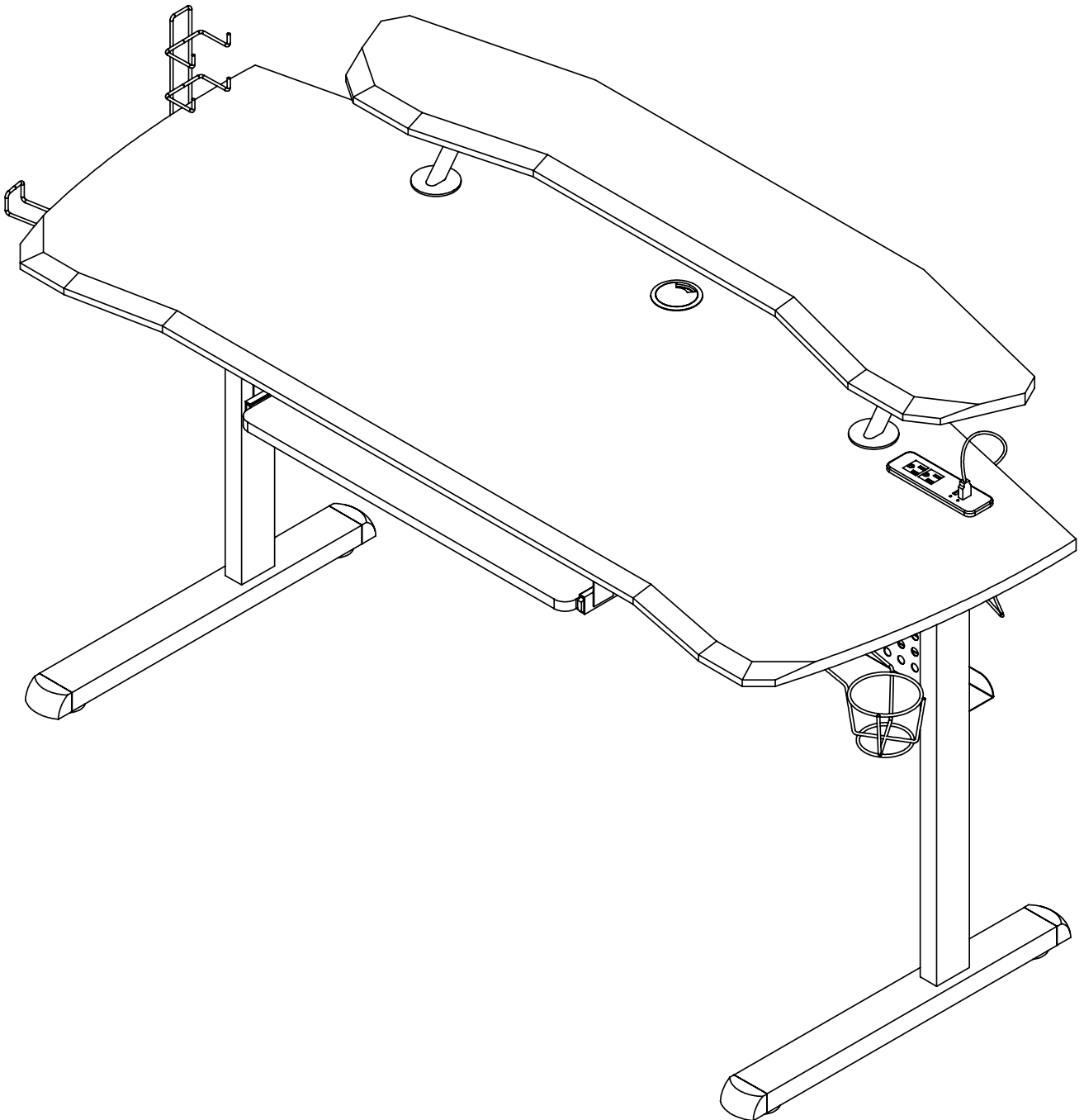


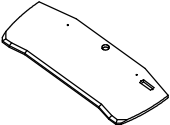
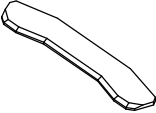
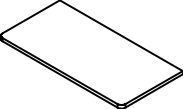

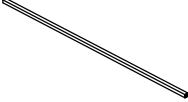
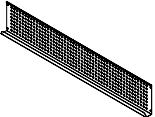
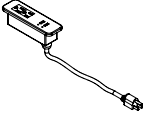
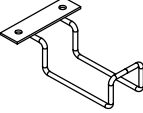
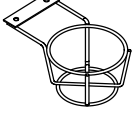
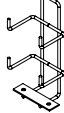

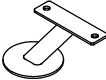
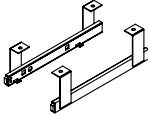
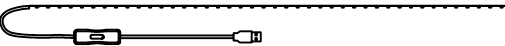
ASSEMBLY INSTRUCTION FOR ACME FURNITURE

MODEL#93132 93134

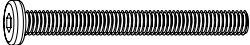
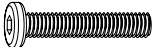
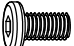

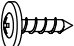


Thank you for purchasing the quality product. Be sure to check all packing material carefully for small parts which may have come loose inside the carton during shipment. Separate, identify and count all parts and metal hardware. Compare with all parts list to be sure all parts are present. If any part(s) are missing or damaged, please contact your local furniture dealer. For efficient and speedy service, please indicate the model number and code letter of part(s) needed.



** Do not fully tighten screws until fully assembled ***

COMPONENT PARTS		
DESCRIPTION	PART NAME	QTY(PCS)
①	DESKTOP 	1
②	TOP SHELF 	1
③	KEYBOARD SHELF 	1
④	SIDE FRAME 	2
⑤	SUPPOR BAR 	1
⑥	REAR PANEL 	1
⑦	POWER CORD & USB SOCKET 	1
⑧	HEADSET HOLDER 	1
⑨	CUP HOLDER 	1
⑩	JOYSTICK HOLDER 	1
⑪	OUTLET COVER 	1
⑫	SUPPORT TUBE 	2
⑬	SLIDER SETS 	1
⑭	LED LIGHT 	1

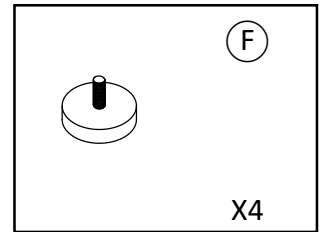
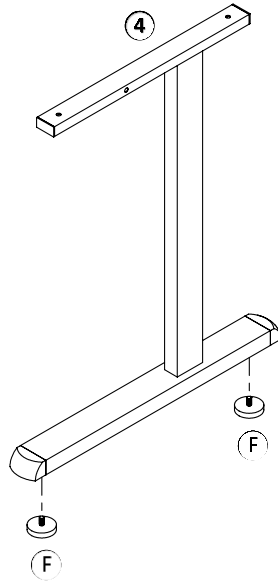
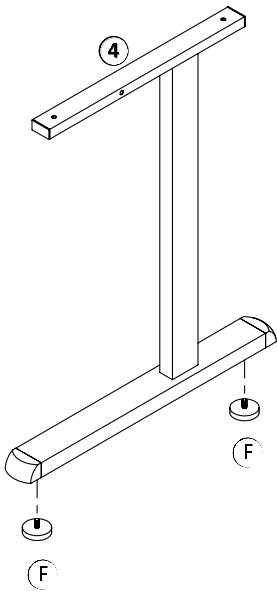
HARDWARE REQUIRED

(A)		ALLEN BOLT	M6x57MM	2	PCS
(B)		ALLEN BOLT	M6x32MM	6	PCS
(C)		ALLEN BOLT	M6x12MM	12	PCS
(D)		PHILLIPS SCREW	M4x15MM	2	PCS
(E)		ALLEN SCREW	M4x15MM	10	PCS
(F)		STUD		4	PCS
(G)		ALLEN WRENCH		1	PCS

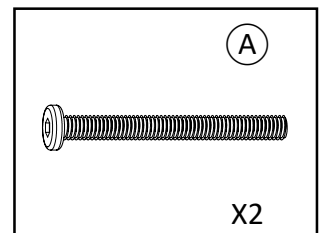
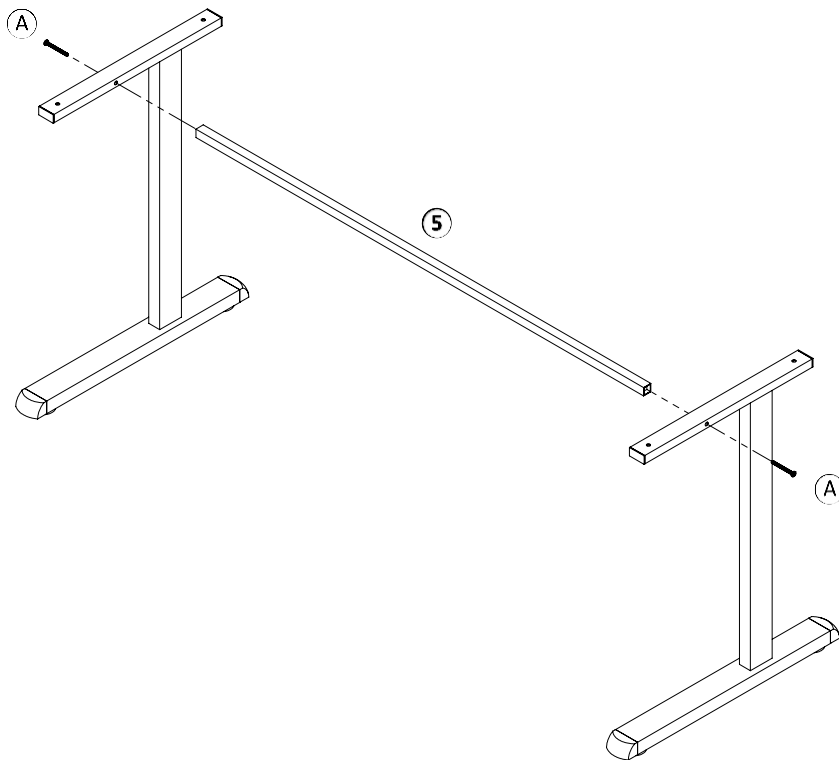
Attention

***Some number parts listed on the instruction sheet may not be in parts bag as they may already be assembled. Carefully check parts and packing materials prior to ordering replacements.

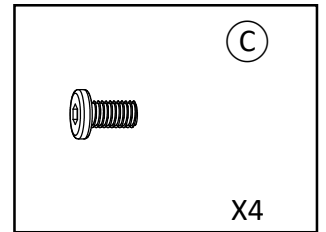
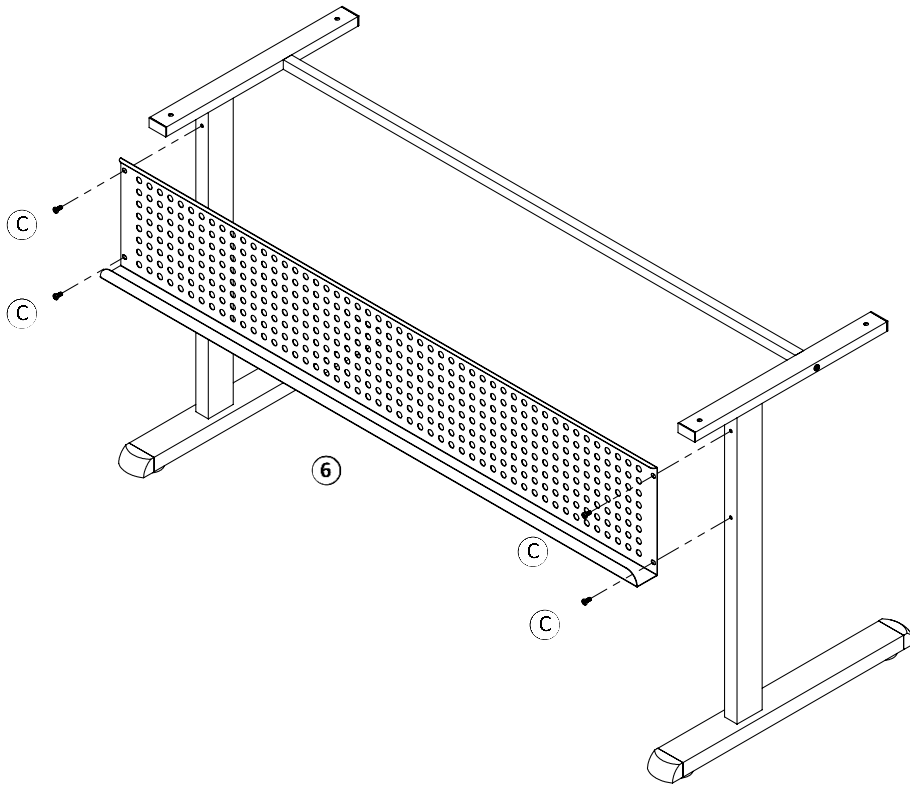
1



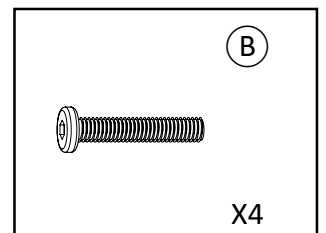
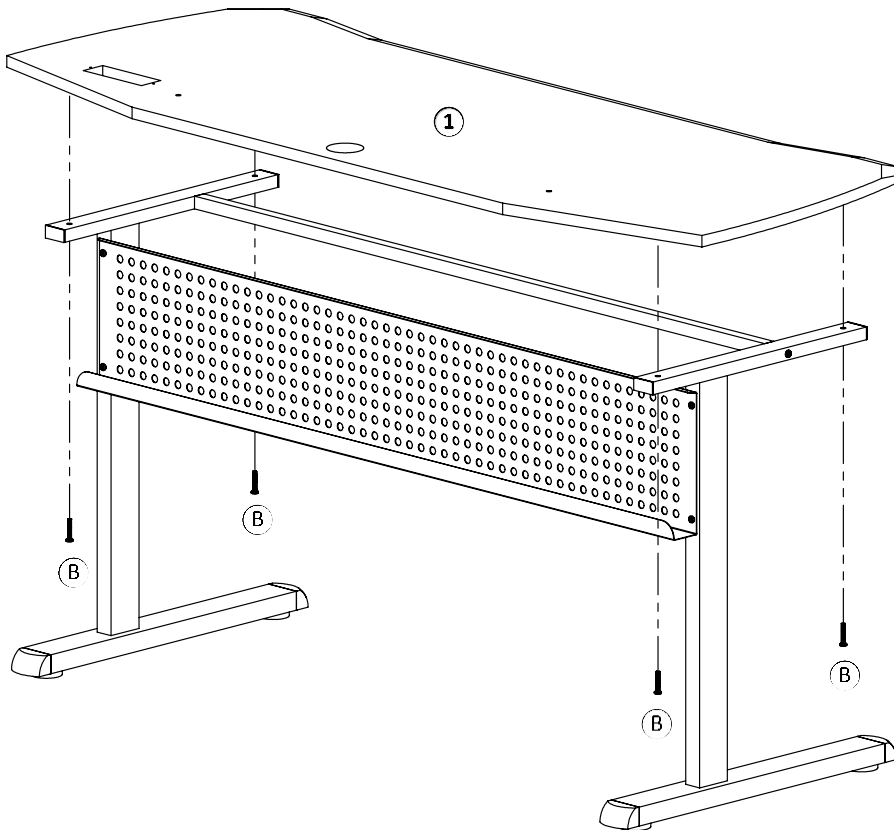
2



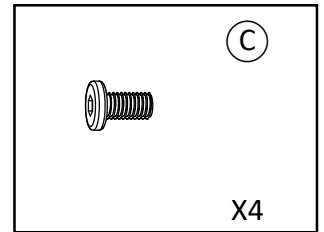
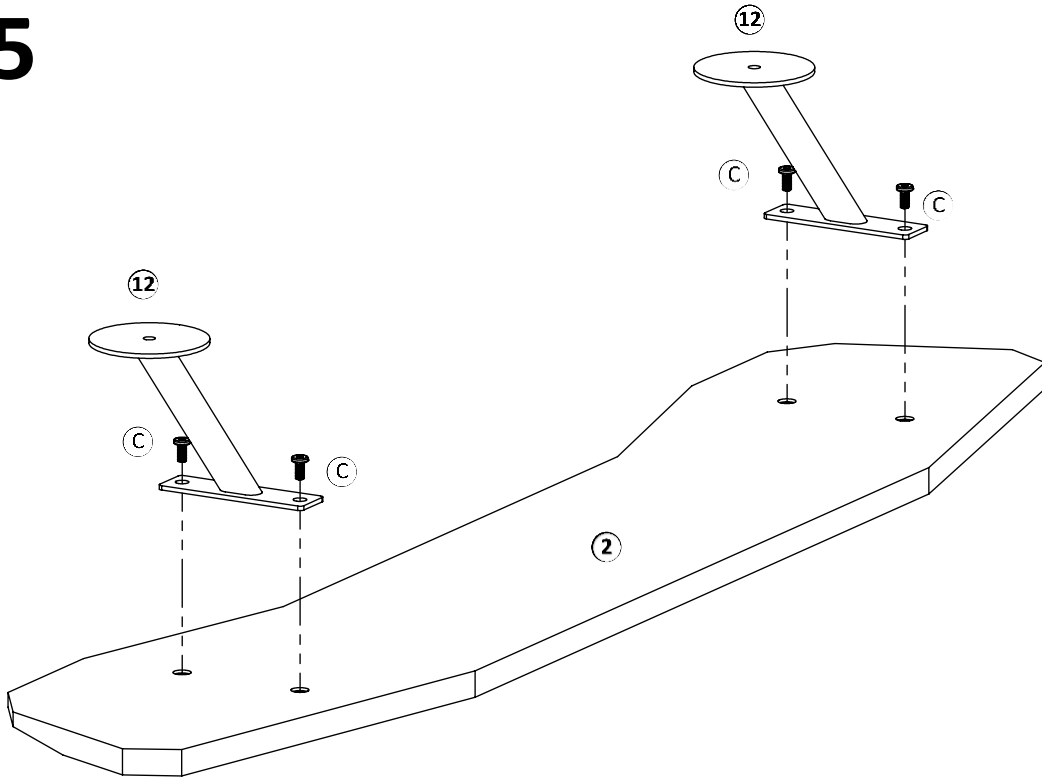
3



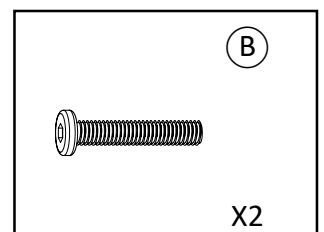
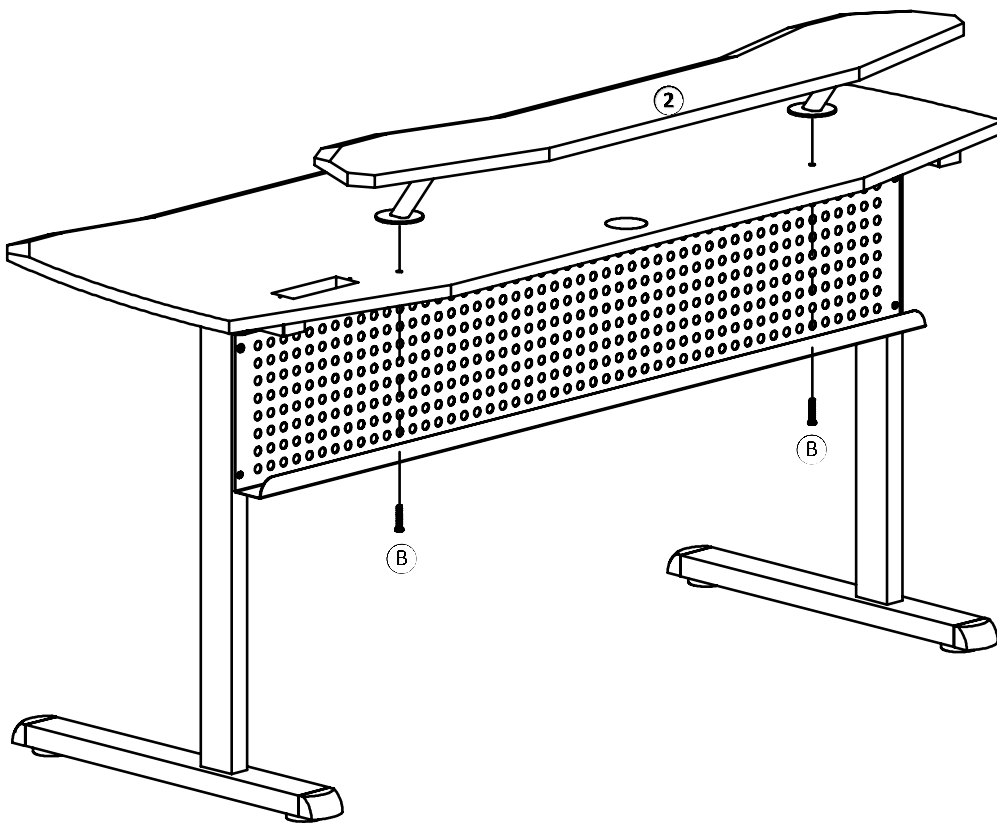
4



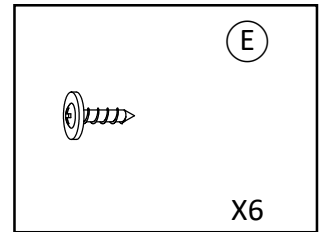
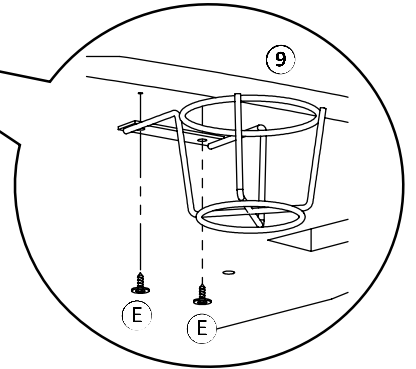
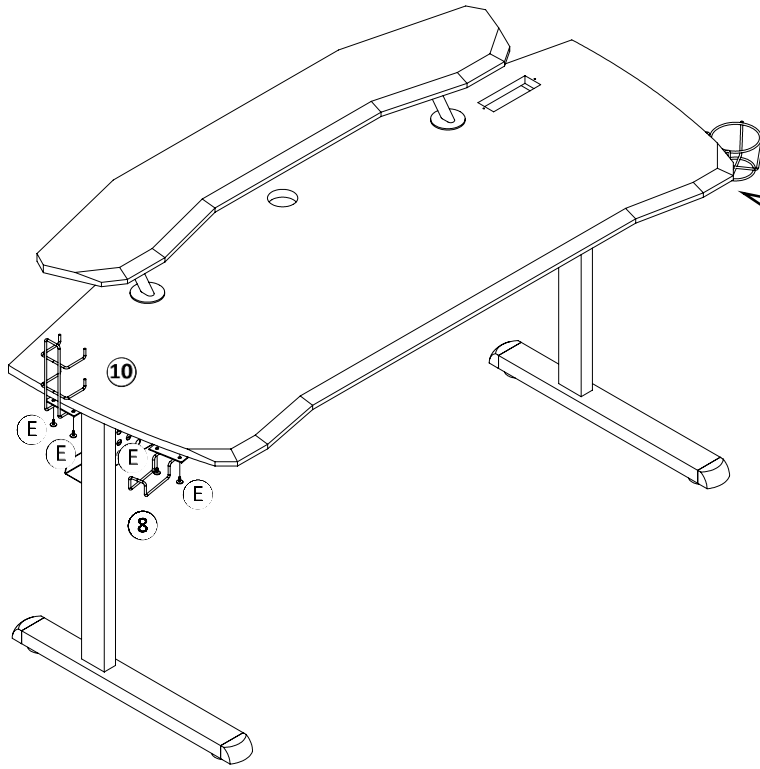
5



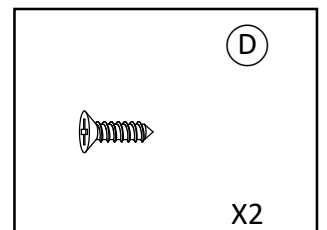
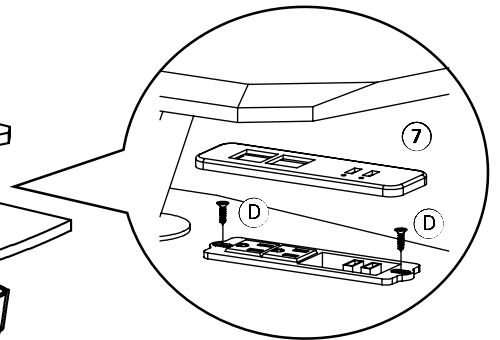
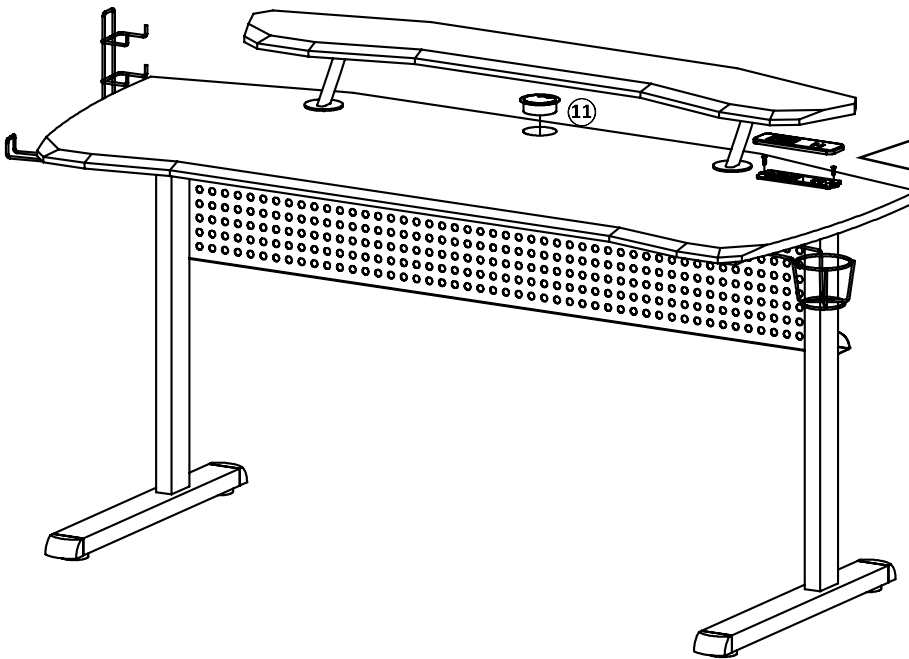
6



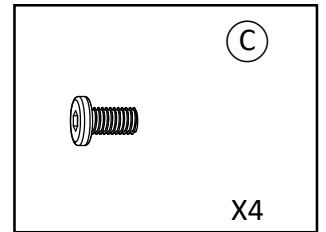
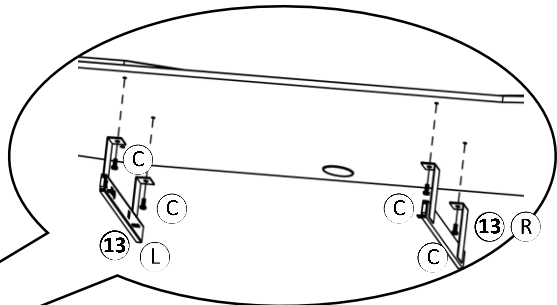
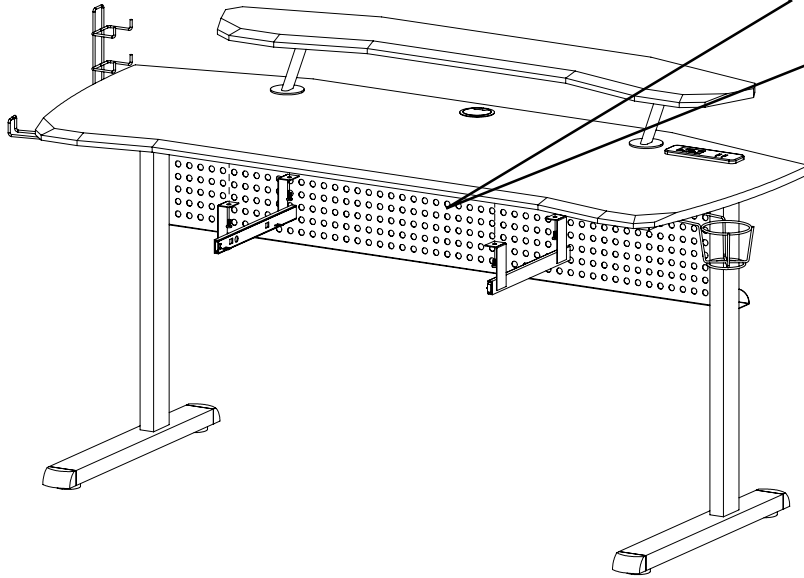
7



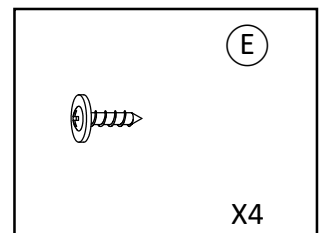
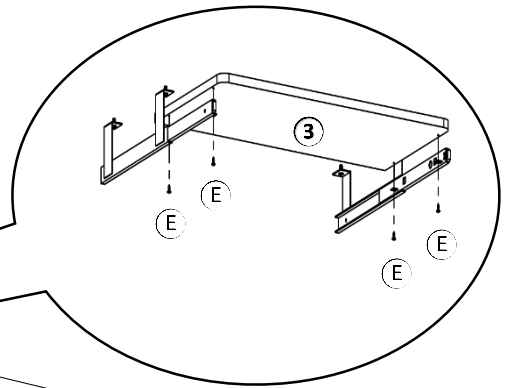
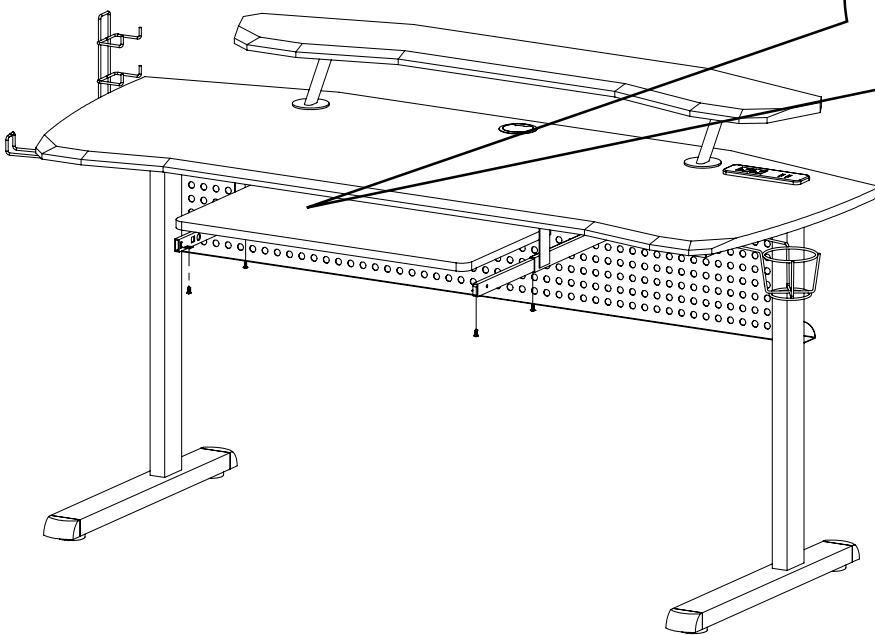
8



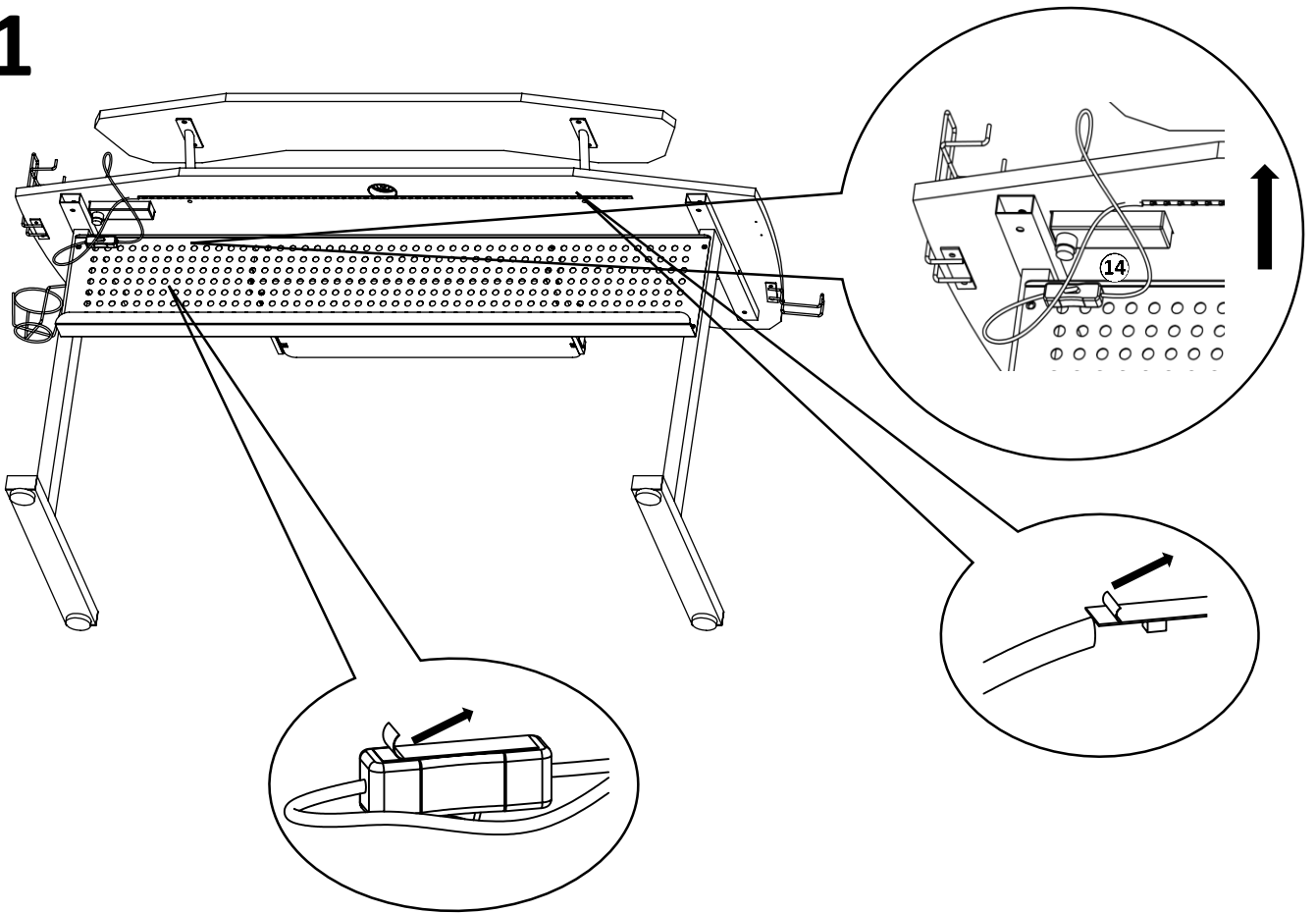
9



10



11



12

