







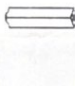





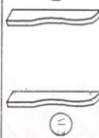





























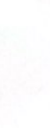



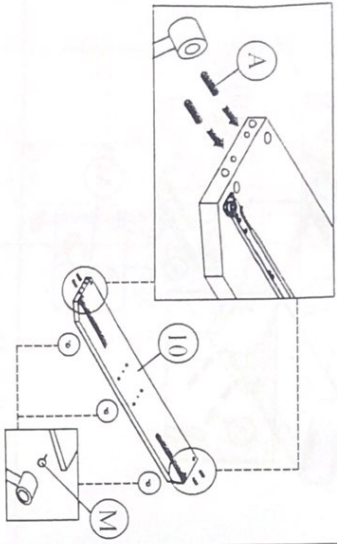


MODEL: CF 9019 (6')

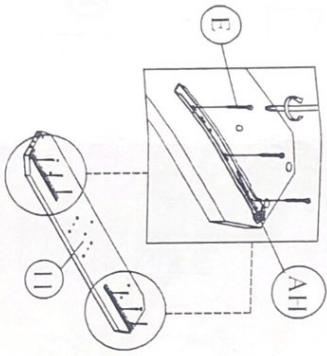
Assembly Instruction

 Headboard 1 ps	 Footboard 2 ps	 Side Rail 1 ps	 Plastic Dowel (8 x 25) 1 ps	 JCBC W M6 x 40 10 ps	 JCBC M6 x 40 4 ps
 Slid 8 ps	 Center Rail 8 ps	 Support leg 2 ps	 JCBC M6 x 60 2 ps	 CSK M13 x 16 mm 2 ps	 CSK M4 x 32 mm 1 ps
 Drawer Slide 500 8 ps	 Drawer Slide 500 8 ps	 Side Wing 2 ps	 CSK M4 x 30mm 2 ps	 CSK M4 x 25 mm 2 ps	 Mini Fix Bolt 1 ps
 Big Drawer Front Panel 2 ps	 Small Drawer Front Panel 2 ps	 Big Drawer Back Panel 4 ps	 Mini Fix Housling 1 ps	 Mini Fix Cap 1 ps	 Power Nail 2/4 11 ps
 Big Drawer Bottom Panel 8 ps	 Small Drawer Bottom Panel 1 ps	 Small Drawer Side Panel 1 ps	 White Nail Leg 1 ps	 Allen Key 05 mm 1 ps	 Mo Flat Washer 8 ps
 Beam 1 2 ps	 Beam 2 1 ps	 Beam 3 1 ps	 Beam 4 2 ps	 Beam 5 1 ps	 Beam 6 1 ps
 Beam 7 2 ps	 Beam 8 1 ps	 Beam 9 1 ps	 Beam 10 1 ps	 Beam 11 1 ps	 Beam 12 1 ps
 Beam 13 1 ps	 Beam 14 1 ps	 Beam 15 1 ps	 Beam 16 1 ps	 JCBC M6 x 50 1 ps	 JCBC M6 x 40 1 ps

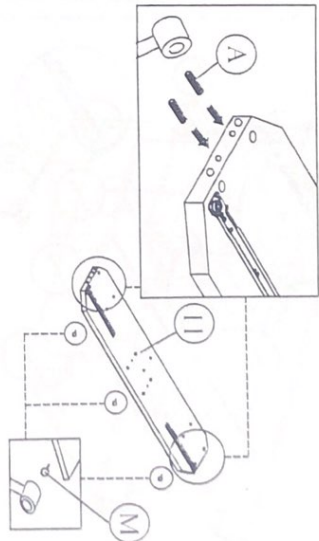
Step 7



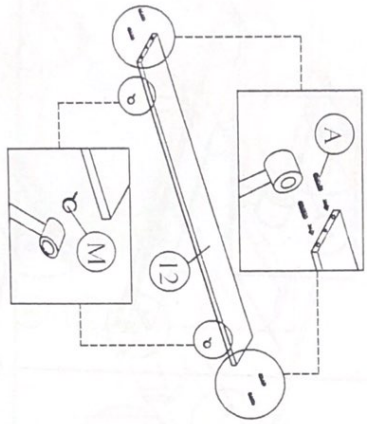
Step 8



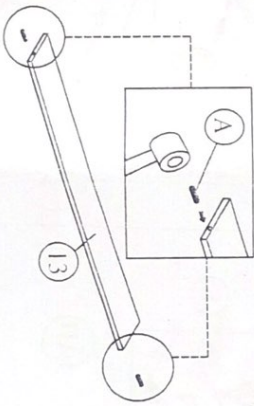
Step 9



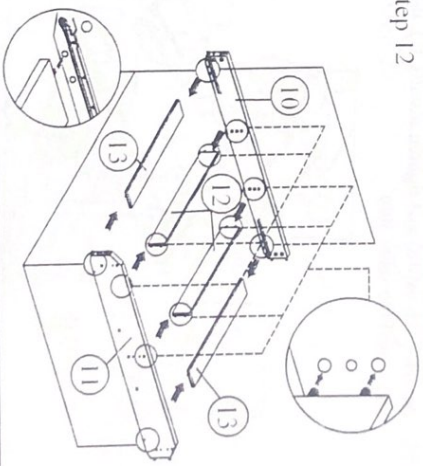
Step 10



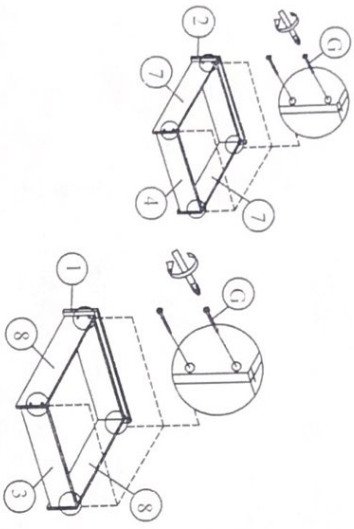
Step 11



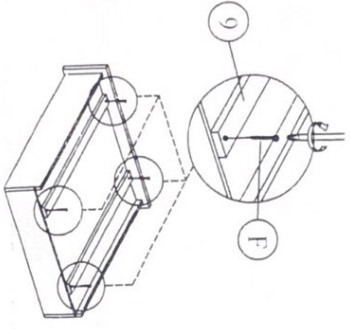
Step 12



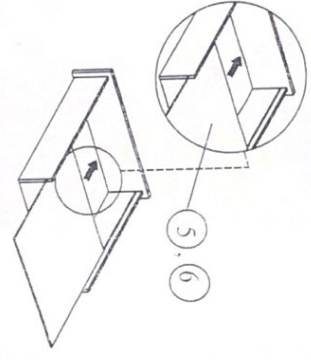
Step 1 The way to assemble the big drawer and small drawer is the same !! Step 1 until Step 5 !!



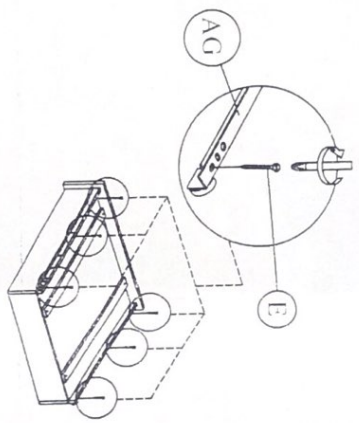
Step 4



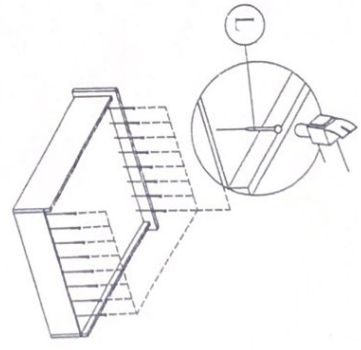
Step 2



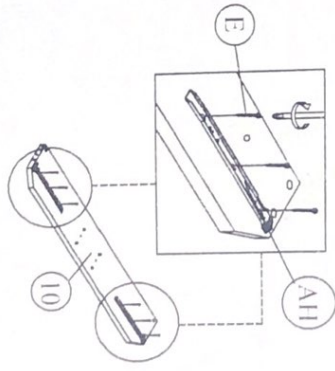
Step 5



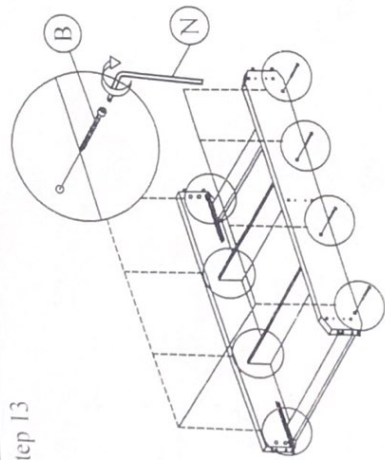
Step 3



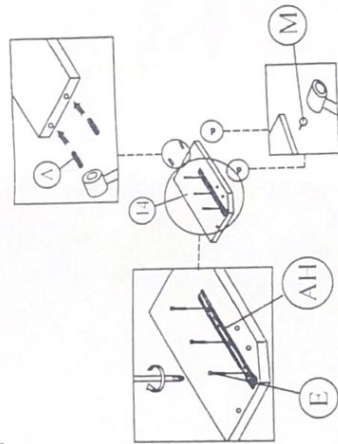
Step 6



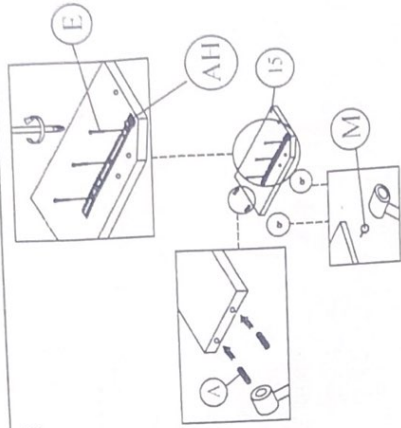
Step 13



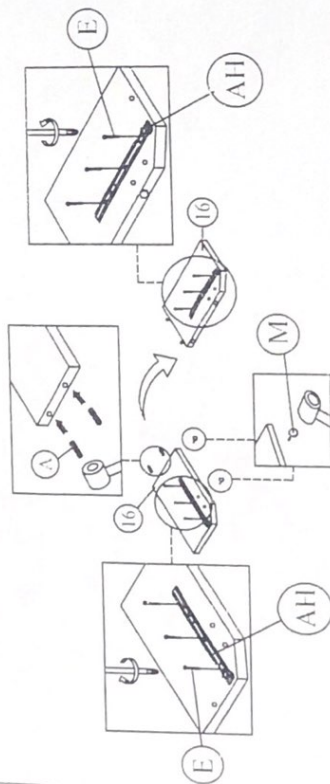
Step 14



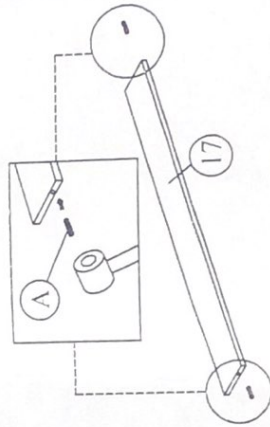
Step 15



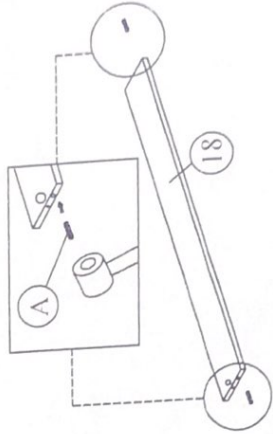
Step 16 Attach (AH) to (16) and tighten it with (E), the flip (AH) to the other side and repeat the same step.



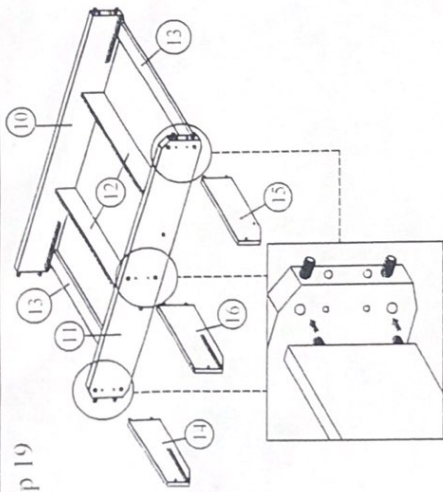
Step 17



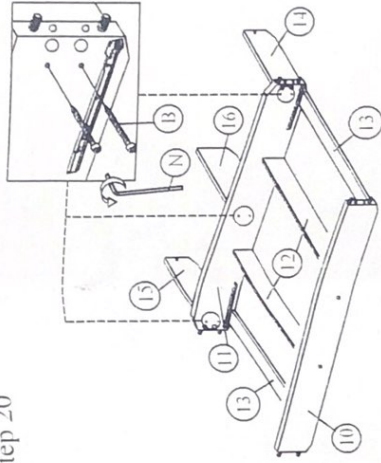
Step 18



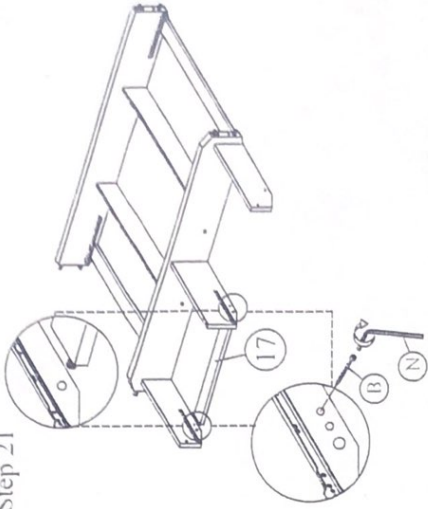
Step 19



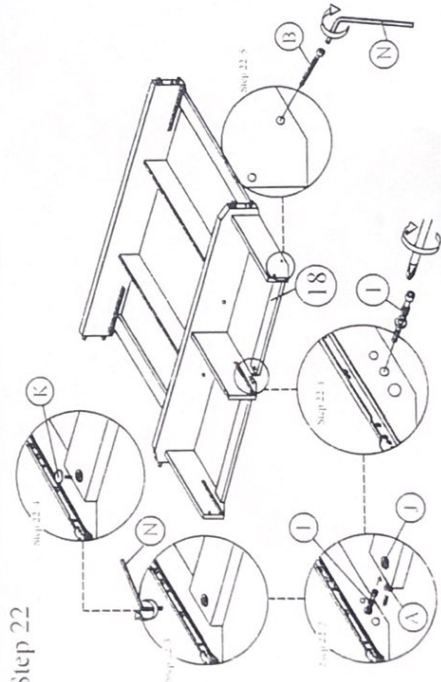
Step 20



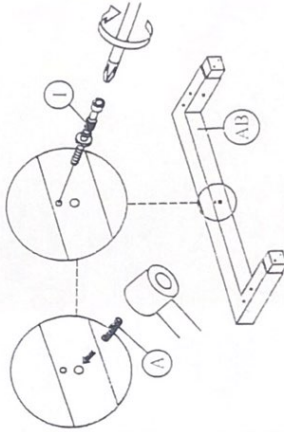
Step 21



Step 22



Step 23



Step 24

