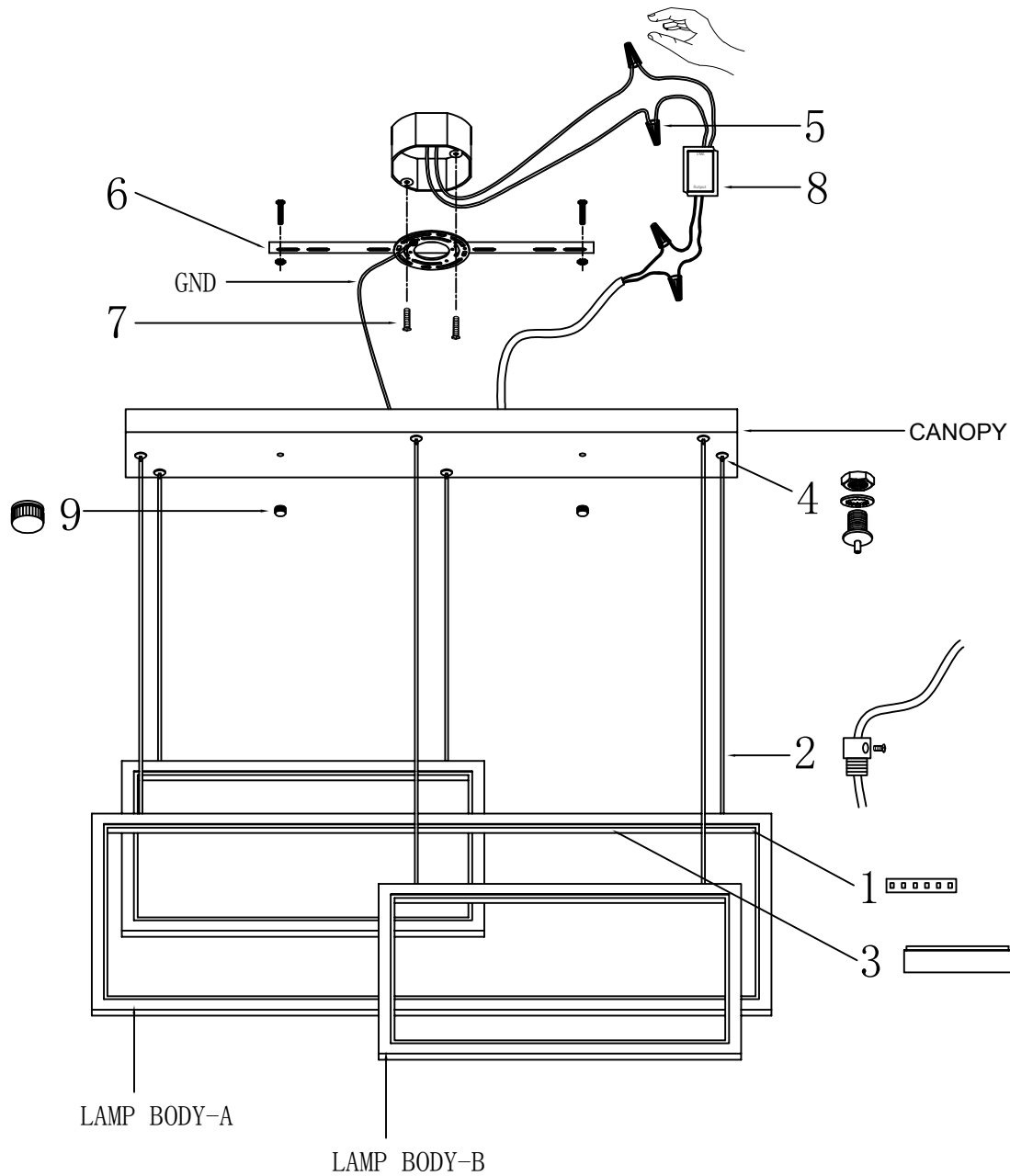


ITEM NO.: SYLED2013-BK

FIXTURE ASSEMBLY STEPS:

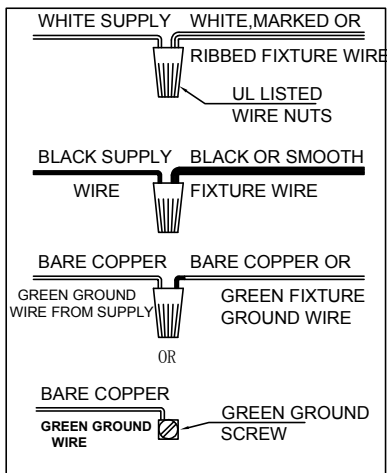


DESCRIPTION	PICTURE	CODE	QTY
LED LIGHT SOURCE		1	1 SET
THE ROUND TUBE PASSES THROUGH THE WIRE		2	6 PCS
ACRYLIC		3	1 SET
RETRACTOR		4	6 SET
P3 WIRING CAP		5	2 PCS
MOUNTING BOX SCREW		7	2 PCS
LED DRIVE		8	1 SET
Mounting Plate		6/9/GND	1 SET
CANOPY		CANOPY	1 PCS
Lamp Body		LAMP BODY-A LAMP BODY-B LAMP BODY-B	1 SET

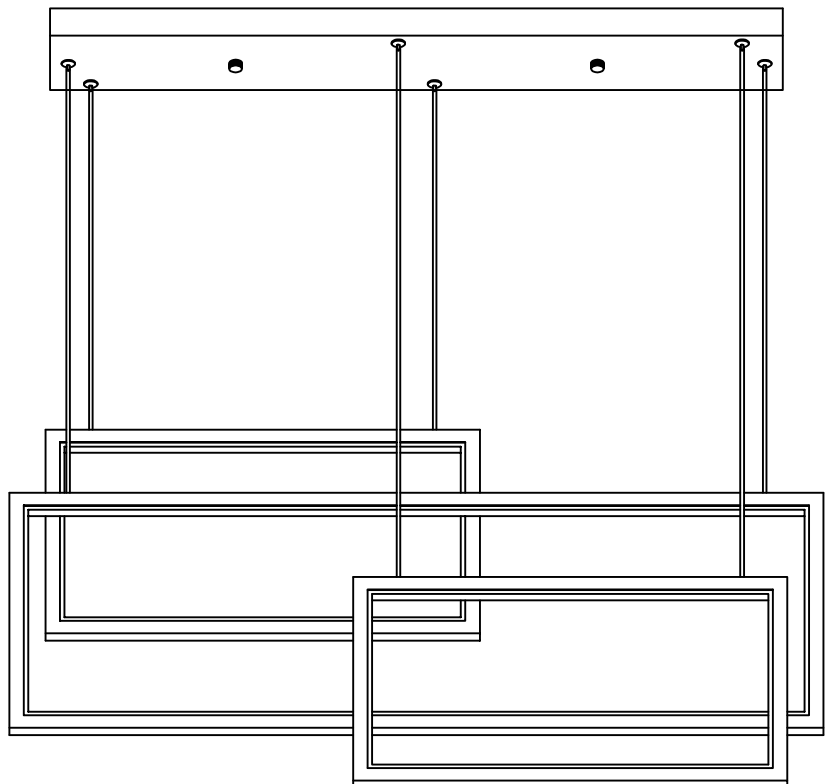
WARNING - if any Special Control Devices are used with this Fixture, Follow the instructions Carefully to assure fun compliance With N.E.C. requirements. if there are any questions, contact a Qualified Electrical Contractor.
 CAUTION - All glass is fragile, use care when handling Glass component(s) and or Lamp(s).
 WARNING - This product contains chemicals known to the State of California to cause cancer, birth defects and /or other reproductive harm. Thoroughly wash hands after installing. handling. cleaning, or otherwise touching this product

CANOPY MOUNTING & WIRE CONNECTION ASSEMBLY STEPS:

Attach(N),(P) to achieve overall desired length.
 Una (N),(P) para lograr la longitud deseada.
 Joignez(N),(P) pour obtenir la Longueur voulue.



FIXTURE ASSEMBLY STEPS:



ITEM NO.: SYLED2013-BK

1. AC110~120V,50~60Hz.The Max lamps power is 45W led light source.
2. Avoid to scratch the surface of lighting and the wires when install it.
3. Connecting the neutral wire with the white wire, the live wire with the black wire, the earth wire with the earth symbol(L-L, N-N).
4. Don't install it to the ceiling before it's completely dry, the surrounding around must be ventilated and dry.
5. Keep away from the acid, basicity objects and gases, clean with soft cloth, water washing is not allowed.
6. Be careful when you install glass lamp shade.
7. The lighting must be installed by professional electrician and used indoor only.
8. Please keep attention to cut off the power supply when installing, cleaning, and replacing bulb.