



# APPLIANCES

## INSPIRING THE WORLD'S KITCHEN



# UNDER CABINET RANGE HOOD 5MU SERIES

**WATCH QUICK START GUIDE**  
[cosmoappliances.com/5mu-start](http://cosmoappliances.com/5mu-start)  
Call Support: 1-888-784-3108



**SCAN QR  
CODE**

### IMPORTANT SAFETY INSTRUCTIONS

Carefully read the following Important information regarding installation safety and maintenance. Keep these instruction for future reference.

**COS-5MU30 / 5MU36**

**INSTALL & USER GUIDE**

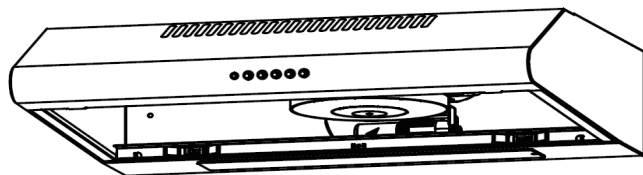
## THANK YOU FOR YOUR PURCHASE

**Thank you for your purchase. We know that you have many brands and products to choose from and we are honored to know that you have decided to take one of our products into your home and hope that you enjoy it.**

COSMO appliances are designed according to the strictest safety and performance standard for the North American market. We follow the most advanced manufacturing philosophy. Each appliance leaves the factory after thorough quality inspection and testing. Our distributors and our service partners are ready to answer any questions you may have regarding how to install, use and care for your products. We hope that this manual will help you learn to use the product in the safest and most effective manner .

If you have any questions or concerns, please contact the dealer from whom you purchased it, or contact our Customer Support at:

**1-888-784-3108.**



### Serial Number Location

Remove the grease filters. The serial number is located on the left inside of the range hood.

## TABLE OF CONTENTS

|                                |       |
|--------------------------------|-------|
| SAFETY INSTRUCTIONS            | 4     |
| ALUMINUM FILTERS               | 5     |
| PARTS DIAGRAM                  | 6     |
| INSTALLATION REQUIREMENTS      | 7     |
| PRE-INSTALLATION PROCEDURES    | 8     |
| INSTALLATION INSTRUCTIONS      | 9-10  |
| RECIRCULATION CHARCOAL FILTERS | 11    |
| OPERATING INSTRUCTIONS         | 12    |
| MAINTENANCE                    | 13    |
| TROUBLESHOOTING                | 14    |
| WARRANTY & SERVICE             | 16-17 |

# IMPORTANT SAFETY INSTRUCTIONS

Read all instructions before using this appliance.

Save these instructions for future references

Approved for residential appliances

For residential use only

## IMPORTANT SAFETY INSTRUCTIONS

### CAUTION

FOR GENERAL VENTILATING USE ONLY. DO NOT USE TO EXHAUST HAZARDOUS OR EXPLOSIVE MATERIALS OR VAPORS.

### CAUTION

To reduce risk of fire and to properly exhaust air, do not vent exhaust air into spaces within walls, ceilings, attics, crawl spaces, or garages.

### WARNING

TO REDUCE THE RISK OF FIRE, USE ONLY METAL DUCT WORK. Install this hood in accordance with all requirements specified.

### WARNING

TO REDUCE THE RISK OF FIRE, ELECTRIC SHOCK, OR INJURY TO PERSONS, OBSERVE THE FOLLOWING:

- A. Use this unit only in the manner intended by the manufacturer. If you have questions, contact the manufacturer
- B. Before servicing or cleaning the unit, switch power off at service panel and lock service panel disconnecting means to prevent power from being switched on accidentally. When the service disconnecting means cannot be locked, securely fasten a prominent warning device, such as a tag, to the service panel.
- C. Installation Work and Electrical Wiring Must Be Done By Qualified Person(s) In Accordance With all Applicable Codes & Standards, Including Fire-rated Construction.
- D. Sufficient air is needed for proper combustion and exhausting of gases through the flue (Chimney) of fuel burning equipment to prevent back-drafting. Follow the heating equipment manufacturers guideline and safety standards such as those published by the National Fire Protection Association (NFPA), the American Society for Heating, Refrigeration and Air Conditioning Engineers (ASHRAE), and the local code authorities.
- E. When cutting or drilling into wall or ceiling, do not damage electrical wiring and other hidden utilities.
- F. Ducted systems must always be vented to the outdoors.

### WARNING

#### GROUNDING INSTRUCTIONS

This appliance must be grounded. In the event of an electrical short circuit, grounding reduces the risk of electric shock by providing an escape wire for the electric current. This appliance is equipped with a cord having a grounding wire with a grounding plug. The plug must be plugged into an outlet that is properly installed and grounded.

#### WARNING - IMPROPER GROUNDING CAN RESULT IN A RISK OF ELECTRIC SHOCK.

Consult a qualified electrician if the grounding instructions are not completely understood, or if doubt exists as to whether the appliance is properly grounded. Do not use an extension cord. If the power supply cord is too short, have a qualified electrician install an outlet near the appliance.

### WARNING

TO REDUCE THE RISK OF FIRE, ELECTRIC SHOCK, OR INJURY TO PERSONS, IN THE EVENT OF A RANGE TOP GREASE FIRE, OBSERVE THE FOLLOWING:

- A. SMOTHER FLAMES with a close-fitting lid, cookie sheet, or other metal tray, then turn off the gas burner or the electric element. **BE CAREFUL TO PREVENT BURNS.** If the flames do not go out immediately, **EVACUATE AND CALL THE FIRE DEPARTMENT.**
- B. **NEVER PICK UP A FLAMING PAN** - you may be **DO NOT USE WATER**, including wet dishcloths or towels - a violent steam explosion will result.

Always leave safety grills and filters in place. Without these components, operating blowers could catch onto hair, fingers and loose clothing. The manufacturer declines all responsibility in the event of failure to observe the instructions given here for installation, maintenance and suitable use of the product. The manufacturer further declines all responsibility for injury due to negligence and the warranty of the unit automatically expires due to improper maintenance.

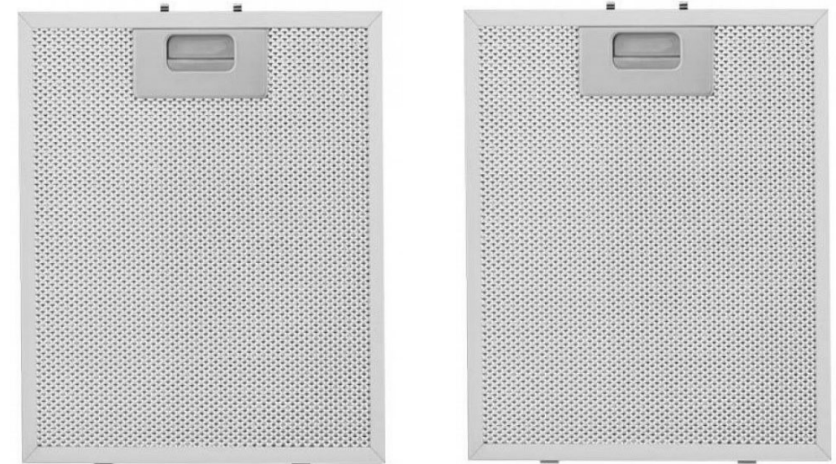
### WARNING

To Reduce The Risk Of Fire Or Electric Shock, Do Not Use This Hood With Any External Solid State Speed Control Device.

### WARNING

Unplug or disconnect the appliance from the power supply before servicing.

# ALUMINUM FILTERS



## About Your New Filters

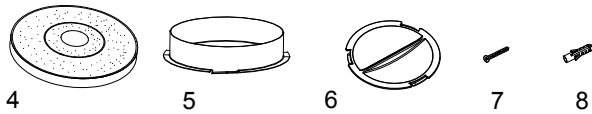
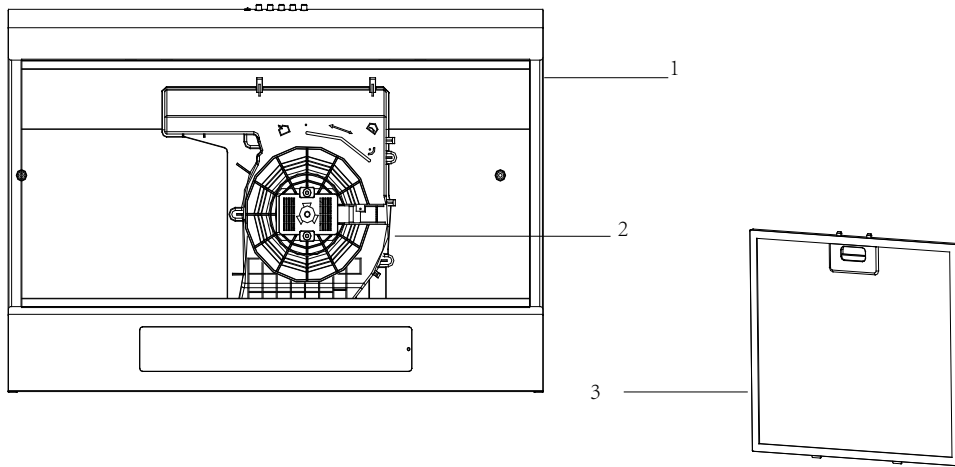
Aluminum Filters are recommended to be replaced every 6 months depending on usage.

## Cleaning my Aluminum Filters

Your filters can be hand washed and cleaned to increase time between replacements. Aluminum Filters may not be placed in the dishwasher.

## PARTS DIAGRAM

MODEL: COS-5AI ' \$ #7CG! AI ' \*



1. Main Body
2. Motor Housing
3. Aluminum Filter

### Other accessories:

4. Carbon Filter (Not Included. Available for purchase at [www.cosmoappliances.com](http://www.cosmoappliances.com))
5. Damper (1 pcs)
6. Air Outlet Cap (2 pcs)
7. Screws 5mm x 49mm (4 pcs)
8. Wall Anchors 10mm x 43.3mm (4 pcs)

## INSTALLATION REQUIREMENTS

1. Please read the following instructions carefully.
2. This Range Hood can be vented through the top or back. Remove the Air Outlet Cap according to the option chosen (Fig. 1). For ductless installation, install an Air Outlet Cap on both the rear and top vent holes.
3. For optimal performance the Range Hood must be installed 24" - 36" in height from the cooktop. (Fig. 2)
4. Electrical Requirements: Rated Voltage and Frequency:) 110-120V~ 60Hz. Motor Input Power: 125W

### WARNING

Sufficient air is needed for proper combustion and exhausting of gases through the chimney of fuel burning equipment to prevent back-drafting. Follow the cooking equipment manufacturers guideline and safety standards such as those published by the National Fire Protection Association (NFPA), the American Society for Heating, Refrigeration and Air Conditioning Engineers (ASHRAE), and local code. When cutting or drilling into wall or ceiling, do not damage electrical wiring and other hidden utilities. Ducted systems must always be vented outdoors.

Fig. 1

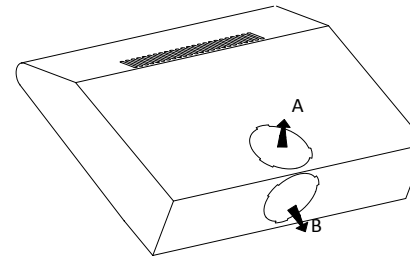
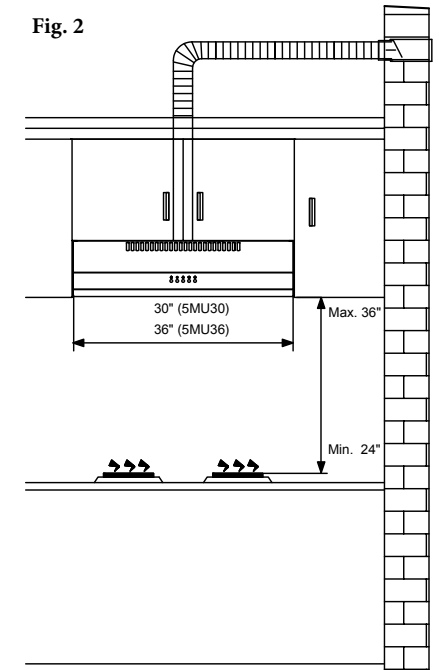


Fig. 2



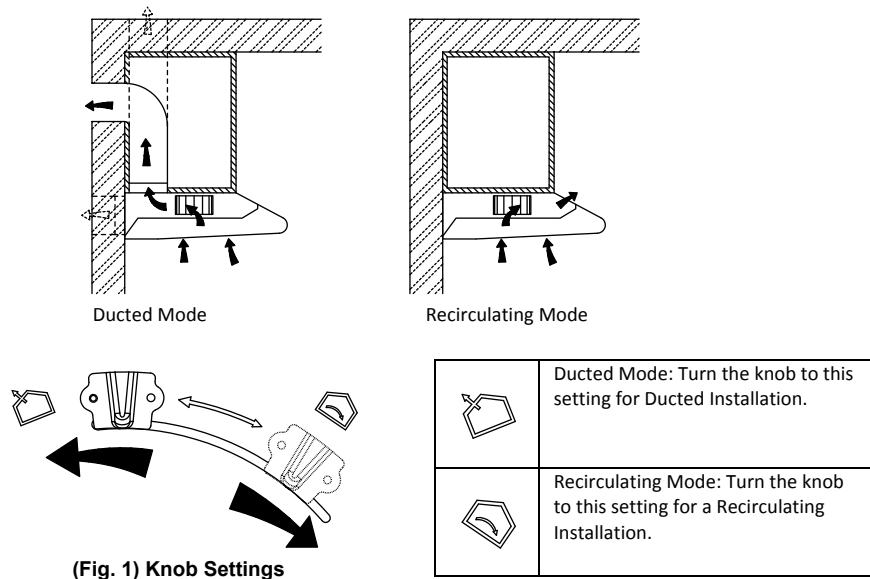
## PRE-INSTALLATION PROCEDURES

- Please read the instructions carefully. Unpack the Range Hood and check that all functions are working before installing.
- Ensure that the voltage (V) and the frequency (Hz) indicated on the sticker match the voltage and frequency at the installation site.
- Check that the area behind the installation surface to be drilled is clear of any electrical cables or pipes, etc.
- The stainless steel surfaces of the Range Hood are very easily damaged during installation if scratched or bumped by tools. Please take care to protect the surfaces during installation.
- Protect the cooktop surface below with cardboard, or the like, to prevent damage occurring during installation.
- The manufacturer shall not be held liable for failure to observe all safety regulations.

### IMPORTANT READ BEFORE INSTALLATION

You will need to set the Range Hood mode to either Ducted or Recirculating.

1. Remove Aluminum Filters
2. Locate Knob Settings located under the Motor (**Fig. 1**)
3. Unlock the Settings Knob by unscrewing and setting to Ducted or Recirculating mode.
4. Lock the Knob into place by replacing the screw from **Step 3**.



## INSTALLATION INSTRUCTIONS

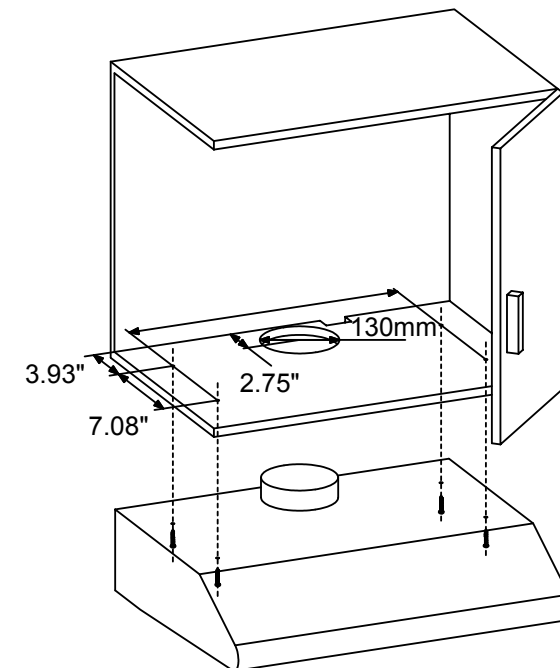
**CAUTION:** HOOD MAY HAVE VERY SHARP EDGES; PLEASE WEAR PROTECTIVE GLOVES WHENEVER IT IS NECESSARY TO REMOVE ANY PARTS FOR INSTALLING, CLEANING OR SERVICING.

### Cabinet Installation Method

1. For **Ducted** installation drill a 130mm diameter hole into the cabinet and four 3.5mm diameter holes as pictured below picture.

For **Ductless** installation **do not** drill the 130mm diameter hole in the cabinet. Drill only the four 3.5mm diameter holes as pictured below.

2. Use the 4 screws to mount the Range Hood to the cabinet. Check that your mounting screws are in the correct place by temporarily fitting the Range Hood in place. If correct, lock into position by pushing in the Range Hood.



## INSTALLATION INSTRUCTIONS

**CAUTION:** HOOD MAY HAVE VERY SHARP EDGES; PLEASE WEAR PROTECTIVE GLOVES WHENEVER IT IS NECESSARY TO REMOVE ANY PARTS FOR INSTALLING, CLEANING OR SERVICING.

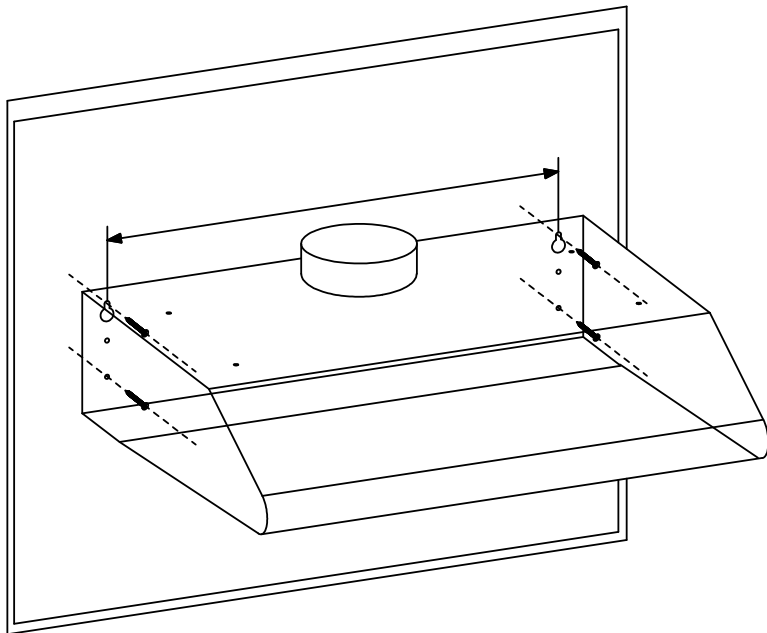
### Wall Mount Installation Method

- A.** Find the 4 mounting holes in the back of the range hood. Mark their locations at the installation location with a pencil or marker.

**B.** Drill 5/16 (8mm) hole at each of the marked locations.

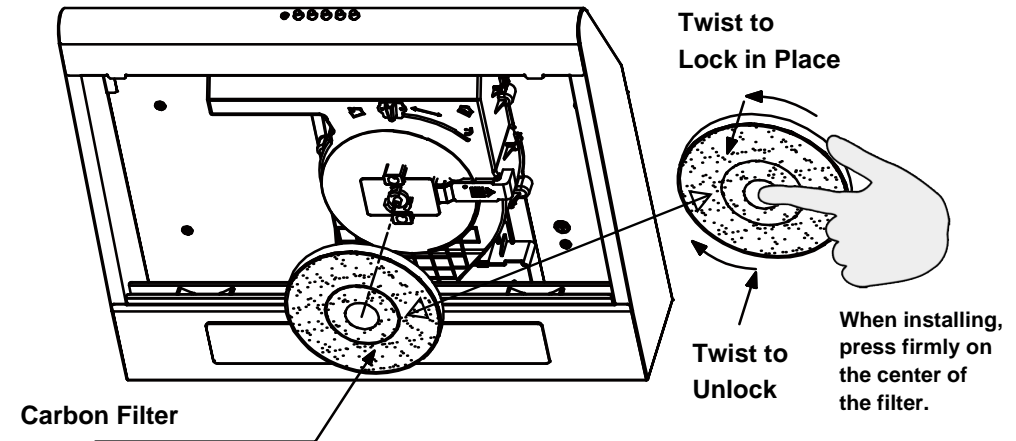
**C.** Insert anchors along with screws into each drilled hole. Firmly tighten the screw into place.

**D.** Hang your Range Hood into place by aligning the screws with the 4 mounting holes in the back of the range hood. Lock into place by sliding down the range hood.



## RECIRCULATING CHARCOAL FILTERS

**Skip this page if you are installing a Ducted Range Hood. Charcoal Filters are only included with Ductless Models.**



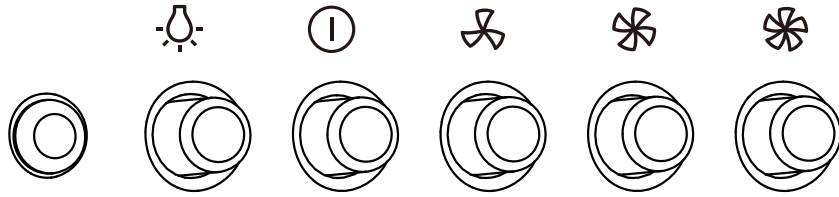
- 1.) Remove the aluminum filters.
- 2.) The charcoal filter is installed at the end of the motor. While pressing firmly on the center, twist the carbon filter clockwise to lock into place.
- 3.) To replace the carbon filter, reverse the process and repeat.







**NOTE:** The carbon filter cannot be washed and reused and must be replaced every 4-6 months, depending on use.

**SCAN FOR INSTALLATION VIDEO**



## OPERATING INSTRUCTIONS



|  |   |
|--|---|
|  | Power Indicator Light – Illuminates when the motor is running                                 |
|  | Light Button. Press on this button to turn on the lights, and press again to turn them off.   |
|  | Motor Off Switch: Press this button to stop the motor while it is running on any given speed. |
|  | Low Speed Button: Press this button to run the motor at low speed.                            |
|  | Medium Speed Button: Press this button to run the motor at medium speed.                      |
|  | High Speed Button: Press this button to run the motor at high speed.                          |

## MAINTENANCE

**CAUTION:** NEVER PUT YOUR HAND INSIDE OF THE UNIT WHILE ITS OPERATING. FOR THE BEST PERFORMANCE CLEAN YOUR RANGE HOOD REGULARLY.

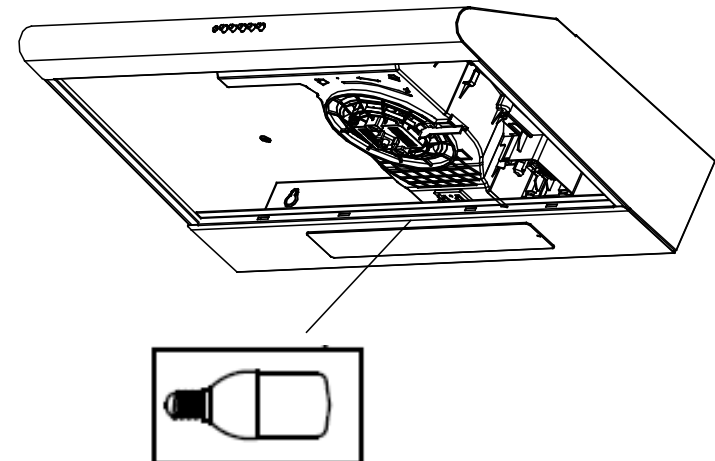
### CLEANING

1. Use only mild soap or cleaning solutions to clean the hoods' outer surface. Dry surfaces using a soft cloth.
2. Stainless Steel cleaner may be used on the external surface.
3. Clean the Range Hood assembly 3 to 6 months depending on use.
4. **DO NOT** clean the motor or electrical components with water or any other liquid.

### REPLACING LIGHT BULBS

**CAUTION:** LAMP UNIT MAY BE HOT! WAIT UNTIL THE UNIT IS COOL. *BEFORE ATTEMPTING TO REPLACE THE LED LAMPS MAKE SURE THE UNIT IS POWERED OFF AND UNPLUGGED.*

1. Remove the aluminum filters
2. Unscrew the Light Bulb
3. Screw in new Light Bulb (E26 Type Bulb 40 watt max.)
4. Reinstall the aluminum filters.



## TROUBLESHOOTING

**CAUTION:** ALWAYS DISCONNECT UNIT FROM POWER BEFORE SERVICING

| PROBLEM                             | SOLUTION   | TOOLS                |
|-------------------------------------|--|----------------------|
| My range hood is noisy.             | A. Check inside the range hood for any loose debris and remove.  | Phillips Screwdriver |
| My range hood has poor performance. | A. The range hood and cooktop are too far away from each other. <b>Optimal distance is 24" to 36"</b><br>B. There are too many open windows or doors in the area. Close some doors or windows.<br>C. The motor performance has decreased due to wear. Replace motor.<br>D. Check and make sure the tape holding down the damper flaps at the vent hole are removed before use. | Phillips Screwdriver |
| My range hood shakes.               | A. The installation is not secure. Check again and make sure the installation hardware is securely mounted.<br>B. The fan is broken or not balanced. Realign or replace fan.<br>C. The motor is loose. Check and make sure the motor is solidly mounted to the unit.   | Phillips Screwdriver |
| The motor no longer runs.           | A. Replace control panel or circuit board.<br>B. Replace with new motor assembly.  | Phillips Screwdriver |
| Light bulb went out.                | A. Replace with a new E26 Type Bulb 40 watt max.   | Phillips Screwdriver |

**WATCH OUR VIDEO GUIDE**  
[cosmoappliances.com/5mu-help](http://cosmoappliances.com/5mu-help)  
 Call Support: 1-888-784-3108



**SCAN QR  
CODE**





## APPLIANCES

### WARRANTY AND SERVICE

For full warranty details on this product please visit:  
<http://www.cosmoappliances.com/warranty>

TO RECEIVE WARRANTY SERVICE, YOUR  
PRODUCT MUST BE REGISTERED. TO REGISTER, VISIT:

[WWW.COSMOAPPLIANCES.COM/WARRANTY](http://WWW.COSMOAPPLIANCES.COM/WARRANTY)

SCAN TO REGISTER



### IMPORTANT

Do Not Return This Product To The Store If  
you have a problem with this product, please contact

Cosmo Customer Support at

**+1(888)784-3108**

DATED PROOF OF PURCHASE, MODEL #, AND SERIAL #  
REQUIRED FOR WARRANTY SERVICE

### IMPORTANT

Ne pas Réexpédier ce Produit au Magasin  
Pour tout problème concernant ce produit, veuillez contacter  
le service des consommateurs Cosmo Customer Support au

**+1(888) 784-3108**

UNE PREUVE D'ACHAT DATEE EST REQUISE POUR BENEFICIER DE  
LA GARANTIE.

### IMPORTANTE

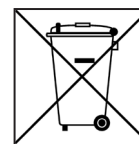
No regrese este producto a la tienda  
Si tiene algún problema con este producto, por favor contacte el  
AYUDA AL CLIENTE COSMO al

**+1(888)784-3108**

(Válido solo en E.U.A).

NECESITA UNA PRUEBA DE DE COMPRA FECHADA, NÚMERO DE  
MODELO Y DE SERIE PARA EL SERVICIO DE LA GARANTÍA

#### Correct Disposal of this product:



This marking indicates that this appliance should not  
be disposed with other household wastes. To prevent  
possible harm to the environment or human health  
from uncontrolled waste disposal, recycle it responsibly to  
promote the sustainable reuse of material resources.



Cosmo is constantly making efforts to improve the quality and performance of our products, so we may make changes to our appliances without updating this manual.

Electronic version of this manual is available at:  
[www.cosmoappliances.com](http://www.cosmoappliances.com)