



Lustra™
Commercial Elongated Toilet Seat
K-4670-SC

Features

- Kohler plumbing products mean beautiful form as much as reliable function.
- Elongated, open-front toilet seat.
- Made of solid polypropylene and is resistant to staining, fading, chipping and peeling.
- Self-sustaining check hinge.



Codes/Standards

None Applicable


KOHLER® One-Year Limited Warranty

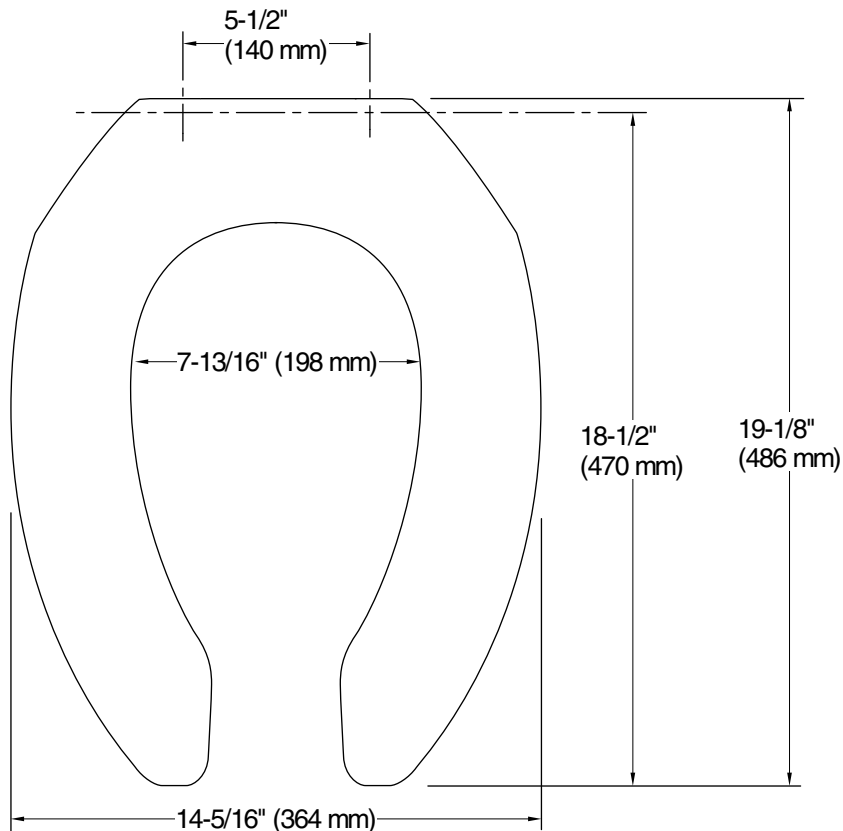
See website for detailed warranty information.

Available Colors/Finishes

Color tiles intended for reference only.

Color Code Description

	0	White
--	---	-------



Technical Information

All product dimensions are nominal.

Seat shape type: Elongated
Seat front type: Open-front
Seat hinge type: Check, Self-sustaining
Seat-mounting holes: 5-1/2" (140 mm)

Notes

Install this product according to the installation guide.