

installation instructions:

# CEILING DOMES

## SAFETY INSTRUCTIONS

Make sure to use the correct tools recommended.

Wear safety goggles.

Follow fixture, power tools, and paint manufacturers' instructions and users manuals.

Use common sense and follow good construction practices.

Ceiling domes are not load bearing. Do not use them to support electrical fixtures or ceiling fans.

## TOOL & MATERIAL CHECKLIST

- |   |   |
|---|---|
| <input type="checkbox"/> construction adhesive      | <input type="checkbox"/> tape measure           |
| <input type="checkbox"/> elastomeric adhesive caulk | <input type="checkbox"/> framing square         |
| <input type="checkbox"/> caulking gun               | <input type="checkbox"/> utility knife          |
| <input type="checkbox"/> drywall screws             | <input type="checkbox"/> power drill            |
| <input type="checkbox"/> hammer                     | <input type="checkbox"/> 2x4 and/or 2x6 framing |
| <input type="checkbox"/> miter saw                  | <input type="checkbox"/> reciprocating saw      |
| <input type="checkbox"/> construction hanging wire  |   |

## IMPORTANT INFO

- It is highly recommended that you paint/finish our domes before you install them.
- Once installed, you can apply any necessary touchup paint/finish.
- Clean installation surface and back of dome of all dirt and dust with a clean cloth or sponge.
- Make sure that the surface and the back of the dome are completely dry before attempting installation.

## INSTALL INSTRUCTIONS:

### Recess Mount

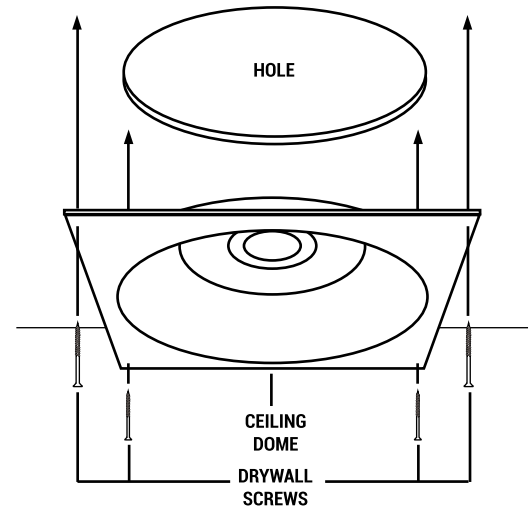
1. Create a rough opening template. Lay the dome on a flattened piece of cardboard. Trace the outline of the dome on the cardboard. Next, draw an inside outline about 1 1/2" inside the outer outline. Using heavy duty scissors or a knife, cut along the inside outline.
2. Screw the template into the ceiling at the desired location.
3. Cut through the drywall along the edge of the template. Remove any drywall in the way. Reinforce existing framing by adding additional framing to support the edges of the Dome.
4. Apply an 1/2" continuous bead of polyurethane construction adhesive on the inside of the dome rim. Lift the dome into the rough opening. Drive drywall screws through the rim of the dome and into the framing. Countersink screws (countersinking allows the screw heads to be covered by spackle after installation).
5. Fill any chips or scrapes with lightweight spackle. Sand spackle after it has dried. Use a high quality latex paint to touch up dome.

### Surface Mount

1. Lay the dome face down on a soft surface that will not scratch/dent the dome detail.
2. Apply a 1/2" bead of adhesive caulk all the way around the back edge of the dome.
3. Gently press the dome up against the ceiling.
4. When pressing the dome up against the ceiling some adhesive caulk will seep out. Smooth excess caulk around the dome with a finger or the putty knife and apply extra caulk that is needed to fill in any gaps.
5. Wipe off any excess adhesive caulk with a sponge or damp rag.
6. Drywall screws can be used for added support. Countersink screws through the rim of the dome into the ceiling.
7. Cover screw heads and any imperfections on dome with lightweight spackle.
8. Once dry, lightly sand spackle.
9. Touch up the dome using high quality latex paint as needed.

## EXAMPLE DIAGRAM:

### Recess Mount



### Surface Mount

