

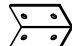


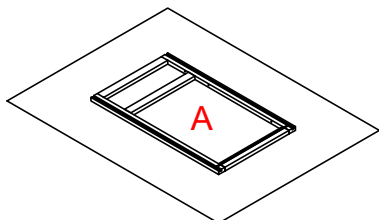


Base Cabinet Assembly Instruction (Item:4012-1/4015-1)

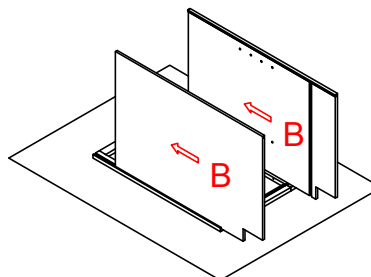
Hard Ware List	1 8PCS $\varnothing 4 \times 25\text{mm}$	5 40PCS $\varnothing 4 \times 12\text{mm}$	6 10PCS	7 4PCS $\varnothing 8\text{mm}$	8 1SET
	Flat head screw	Flat head screw	Corner brackets	Shelf clips	Slide
					

Cabinet Parts List	A	Frame	B	Side panels(2)	C	Bottom panel	D	Back panel	E	Toe kick	F	Adjustable shelf
	G	Door	H	Drawer front	I	Drawer front panel	J	Drawer back panel	K	Drawer side panel(2)	L	Drawer bottom panel

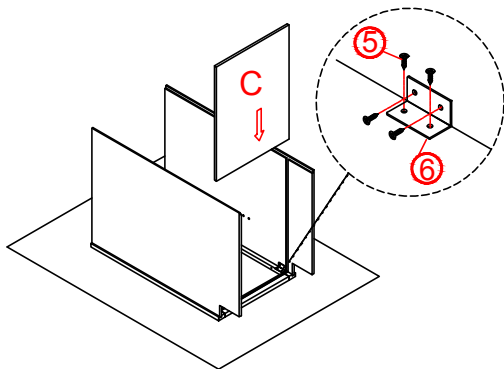
Step1:



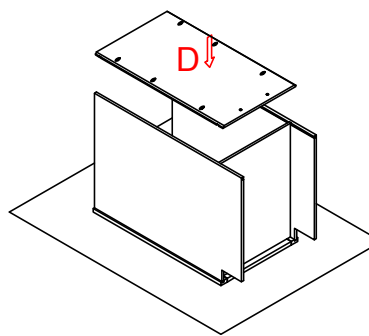
Step2:



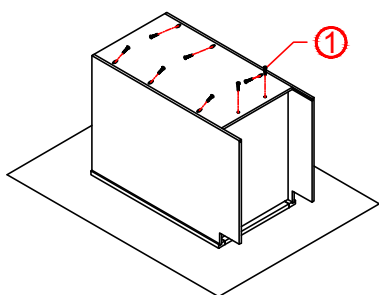
Step3:



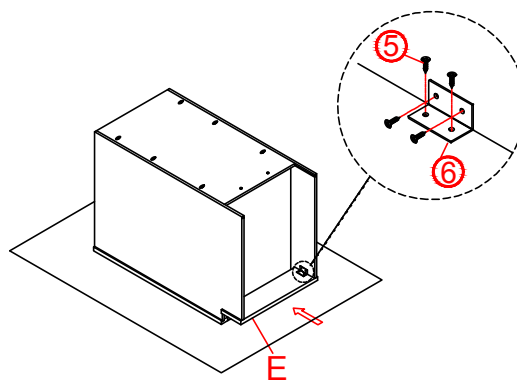
Step4:



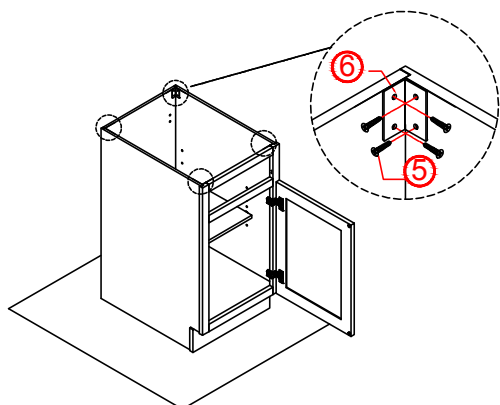
Step5:



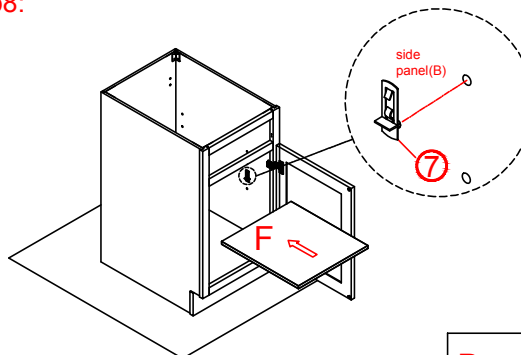
Step6:





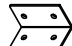


Step7:



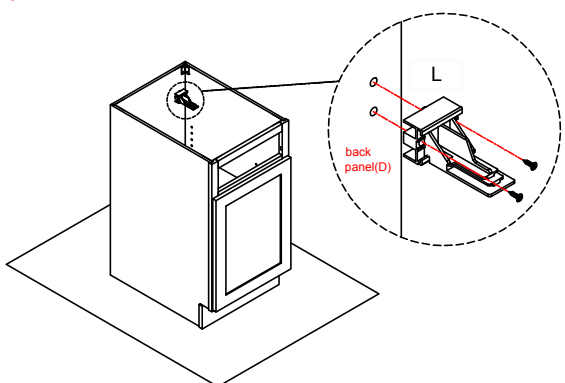
Step8:



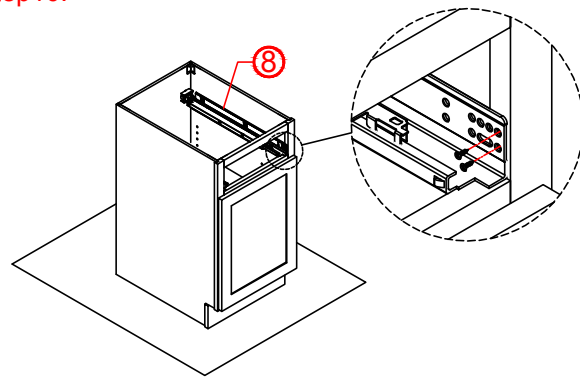
Base Cabinet Assembly Instruction (Item:4012-1/4015-1)

Hard Ware List	1 8PCS Ø4×25mm	5 40PCS Ø4×12mm	6 10PCS	7 4PCS Ø8mm	8 1SET							
	Flat head screw	Flat head screw	Corner brackets	Shelf clips	Slide							
												
Cabinet Parts List	A	Frame	B	Side panels(2)	C	Bottom panel	D	Back panel	E	Toe kick	F	Adjustable shelf
	G	Door	H	Drawer front	I	Drawer front panel	J	Drawer back panel	K	Drawer side panel(2)		Drawer bottom panel

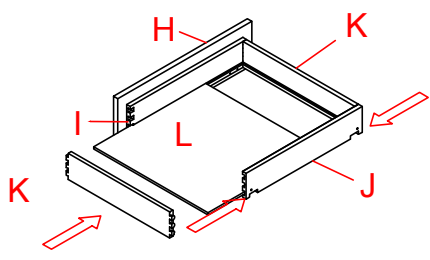
Step9:



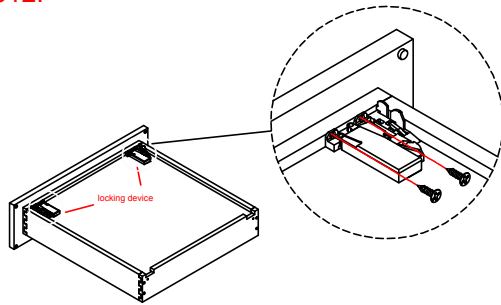
Step10:



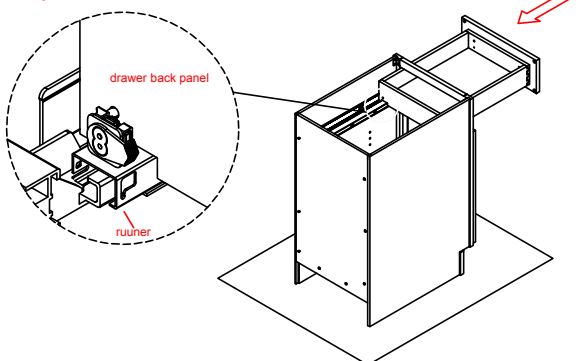
Step11:



Step12:



Step13:



Step14:

