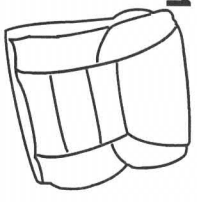
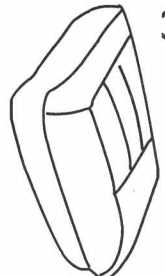
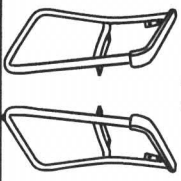

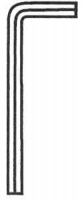


68-1156

|                                                                                                         |  |
|---------------------------------------------------------------------------------------------------------|--|
|  <p>(1)*1</p>        |  |
|  <p>(2)*1</p>        |  |
|  <p>(3)*1(L)*1(R)</p> |  |
|  <p>(4)*1 2</p>        |  |
|  <p>(5)*1</p>          |  |
|                                                                                                         |  |

