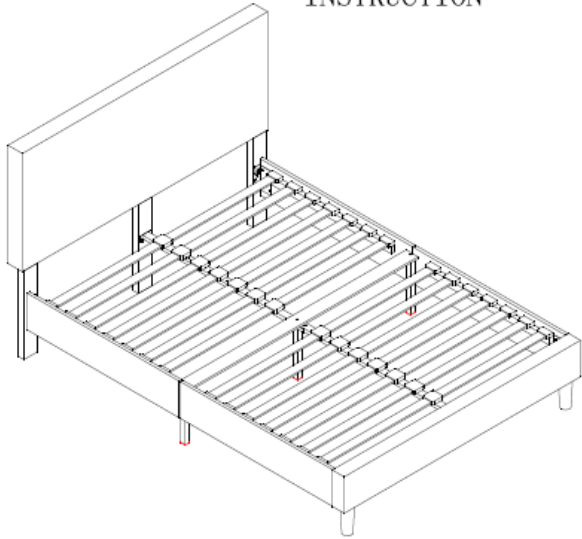


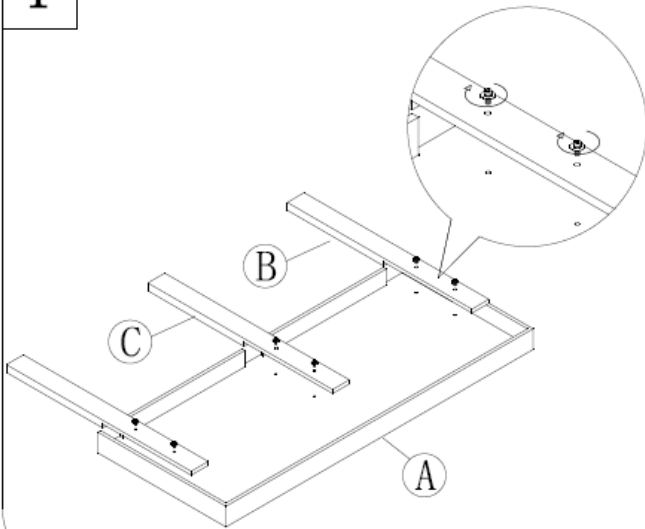
**PLATFORM BED FRAME  
INSTRUCTION**



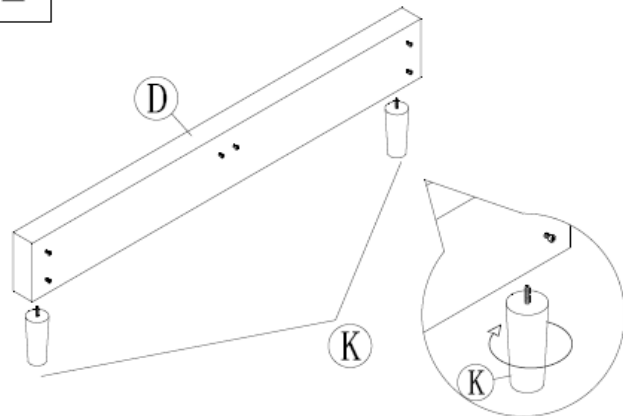
**Components**

<p><b>A</b> Headboard 1pc</p>	<p><b>B</b> Siderails 4pcs</p>	<p><b>D</b> Edge of the foot 2pcs</p>	<p><b>M</b> Innerscrew Ø8*40 11pcs</p>
<p><b>B</b> Headboard side leg 2pcs</p>	<p><b>F</b> The brace 1pc</p>	<p><b>J</b> Slat 28pcs</p>	<p><b>N</b> Inner allen wrench 1pc</p>
<p><b>C</b> Headboard Middle leg 1pc</p>	<p><b>G</b> Middle cross beam 2pcs</p>	<p><b>K</b> Bed leg 2pcs</p>	<p><b>O</b> Edge slab 28pcs</p>
<p><b>D</b> Footboard 1pc</p>	<p><b>H</b> Middle leg 1pc</p>	<p><b>L</b> Pad Ø8 11pcs</p>	<p><b>P</b> Middle slab 14pcs</p>

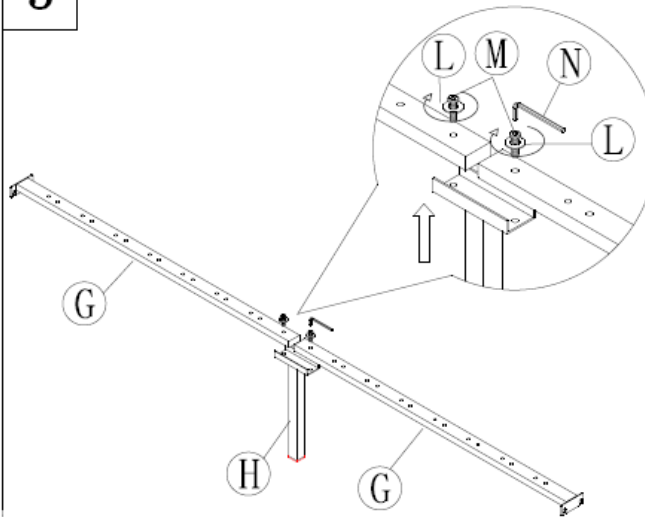
**1**



**2**



**3**



**4**

