

SONOMA DINING TABLE

Assembly instructions:

PARTS LIST

No.	DESCRIPTION	IMAGE	Q'TY
P1	TABLE TOP		2
P2	LEG FRAME		2
P3	TOPS SUPPORT BAR		2
P4	METAL STRECHER		2
P5	METAL CONNECTOR		1

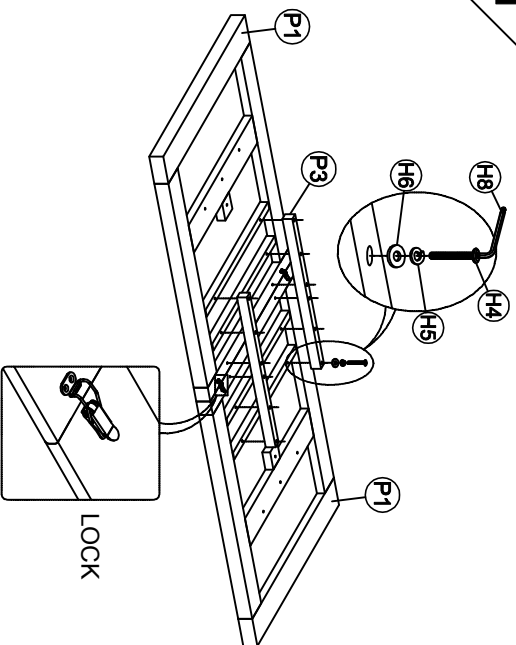
HARDWARE LIST

No.	DESCRIPTION	IMAGE	Q'TY
H1	BOLT (Ø1/4" X 20 MM)		4
H2	BOLT (Ø1/4" X 40 MM)		2
H3	BOLT (Ø5/16" X 35 MM)		6
H4	BOLT (Ø5/16" X 60 MM)		12
H5	SPRING WASHER (Ø5/16")		24
H6	FLAT WASHER (Ø5/16")		24
H7	WOOD PLUG		2
H8	ALLEN KEY		1

NOTE: PO # is located underneath/ at the back side of each item. Please be prepared to provide this # should any claim be necessary.

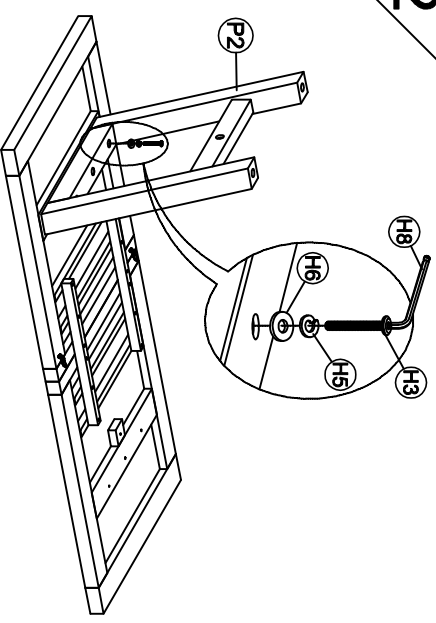
CAUTION: Item is heavy. Assembly should be performed by two people.

1



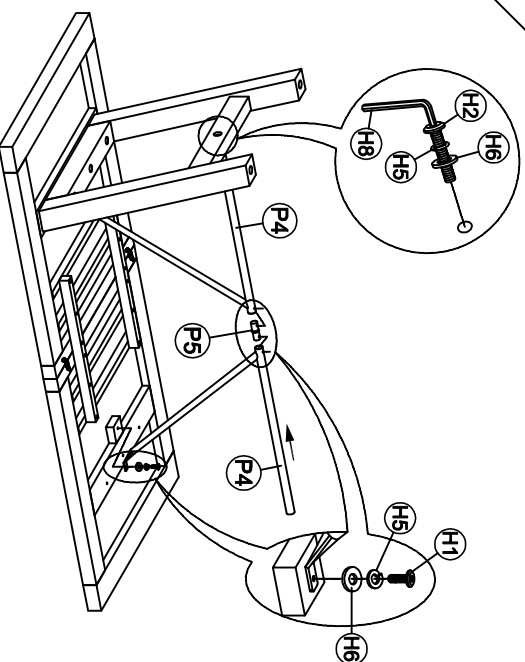
* Note: Adjust 2 tops for alignment before lock mechanism

2



* Don't tighten bolts until final step

3



4

