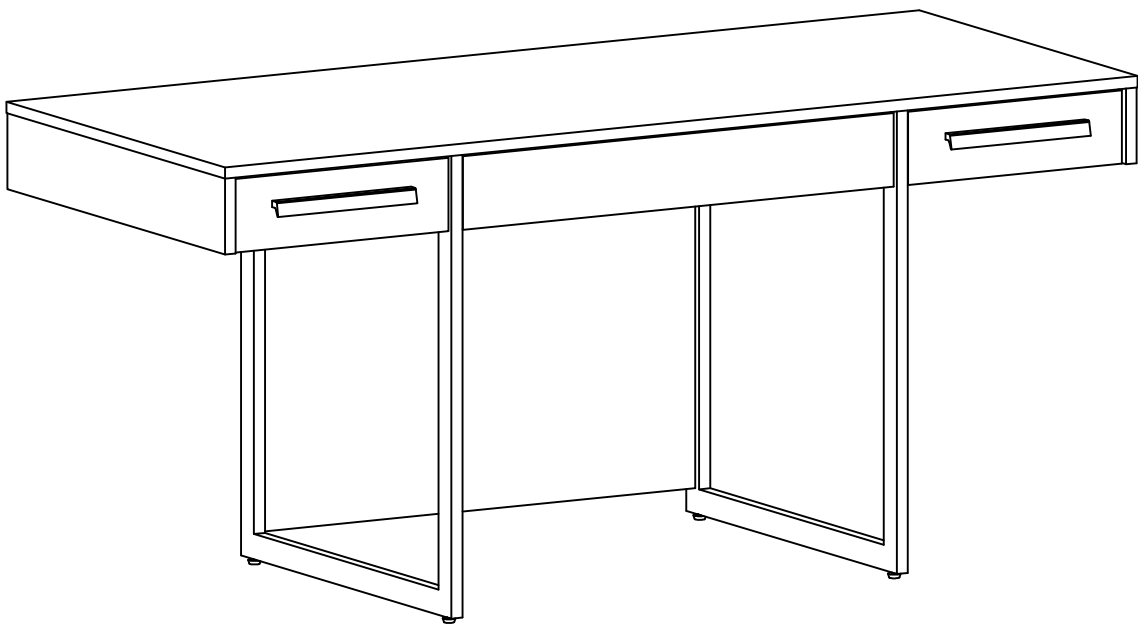


ASSEMBLY INSTRUCTIONS

ITEM#: AK1000/AT1000

Important Safety Instructions:

- Please read all instructions before beginning assembly
- Please make sure receive all the parcels to start the assembly
- For your safety and convenience, assembly by two people is recommended
- Use the parts and hardware lists to identify and separate each of the components included
- Save all packing materials until assembly is completed to avoid the accidental discarding of smaller parts or hardware



THANK YOU FOR PURCHASING

PARTS LIST

A X1

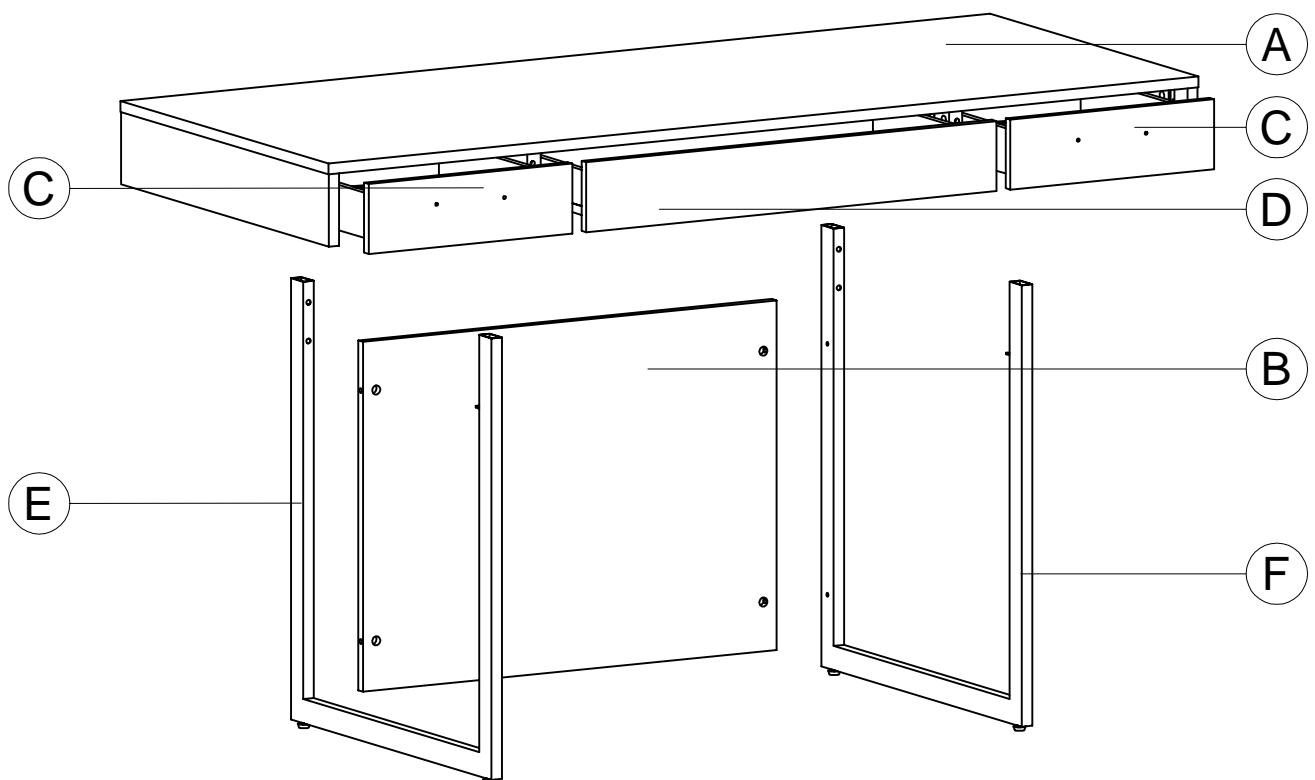
B X1

C X2









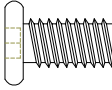

D X1

E X1

F X1

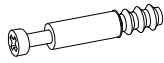


HARDWARE LIST

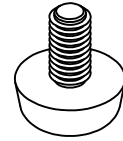
Name	Part	Qty.	Spare
A1		8	1
B1		4	1
B2		4	1
C1		4	1
D1		2	
E1		4	
F1		1	
S1	 3/4" Bolt	4	1
S2	 1/2" Bolt	2	1
S3	 2" Bolt	4	1

STEP 1

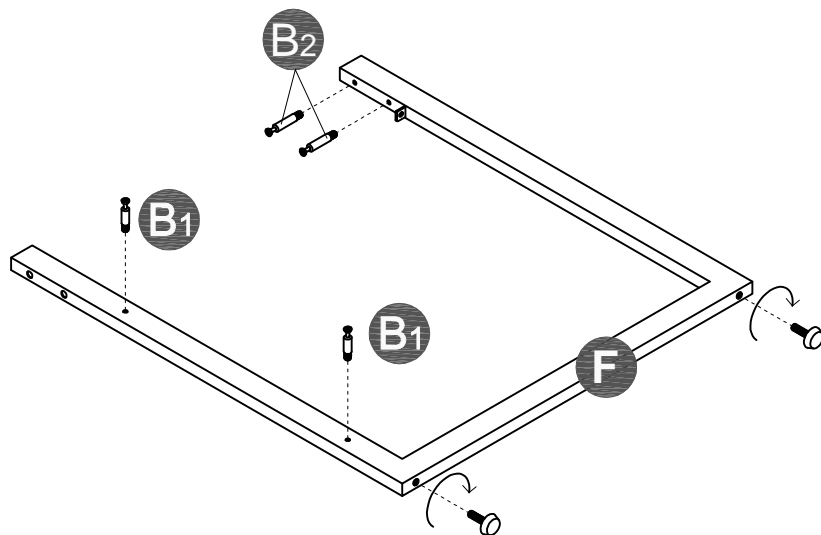
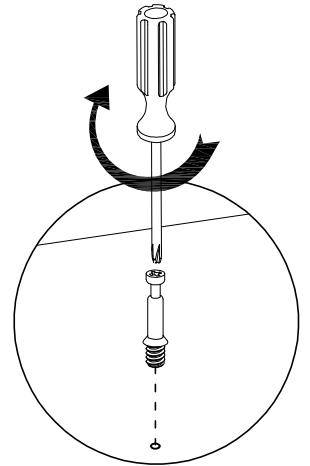
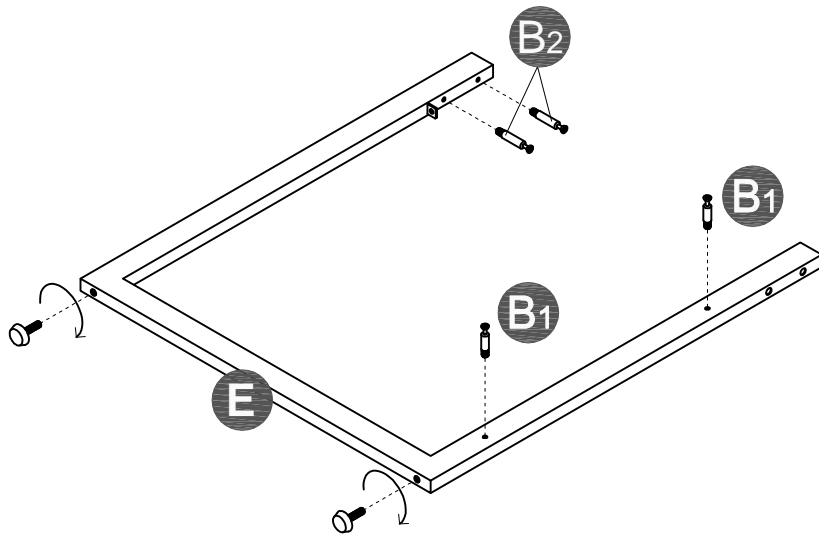
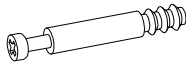
B1 x4pcs



E1 x4pcs



B2 x4pcs

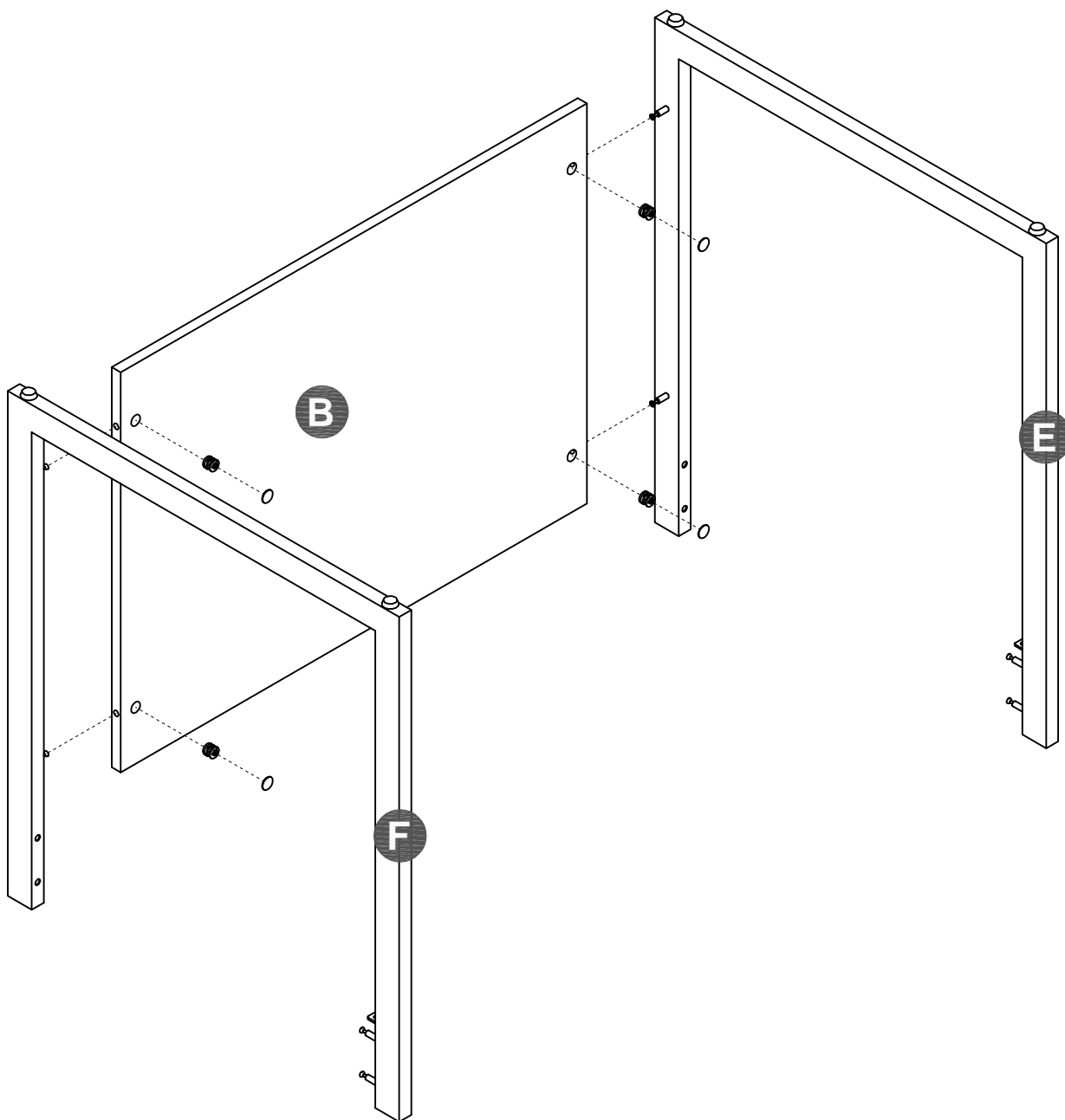
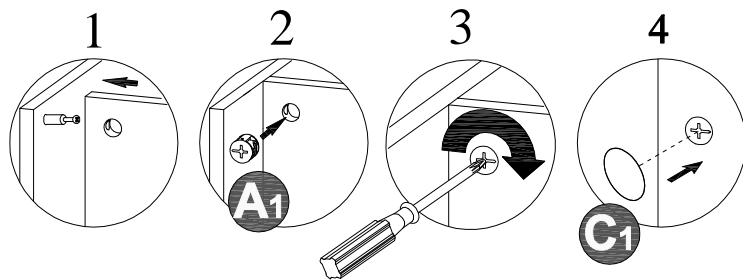


STEP 2

A1 x4pcs



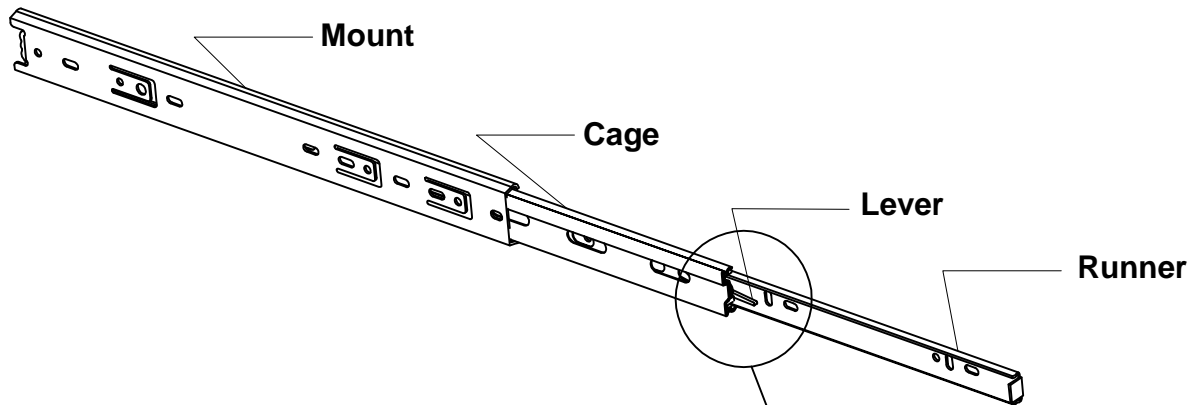
C1 x4pcs



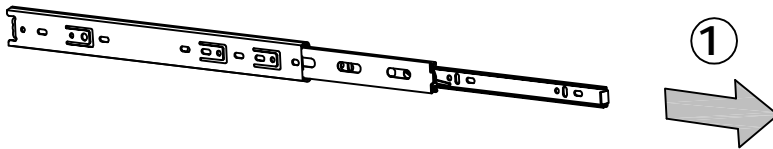
An assistant is required.

Slides Must Be Separated Before Assembly.

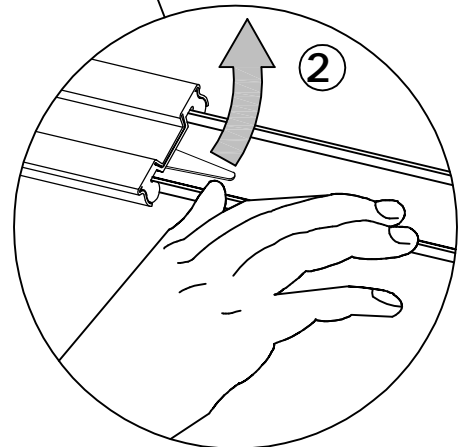
After Separated, Set Aside Until Needed for Assembly.



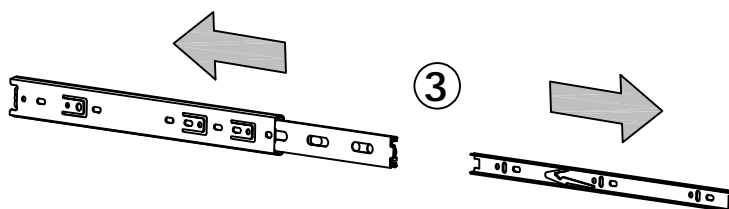
STEP 1: Extend Slide



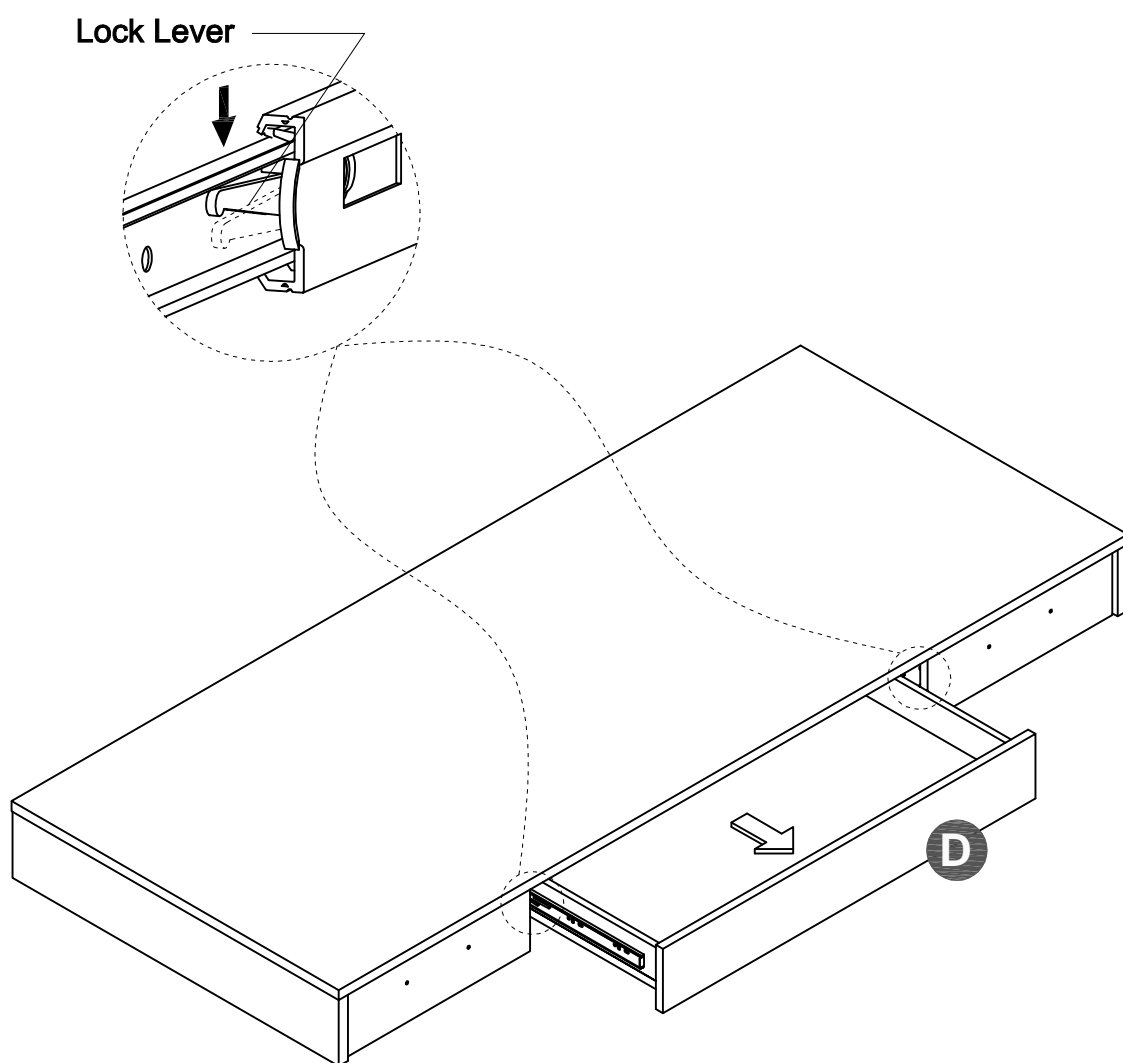
STEP 2: Push Lever UP



STEP 3: Remove Runner.



STEP 3



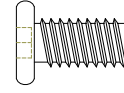
An assistant is required.

STEP 4

A1 x4pcs



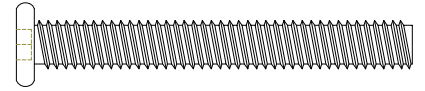
S2 x2pcs



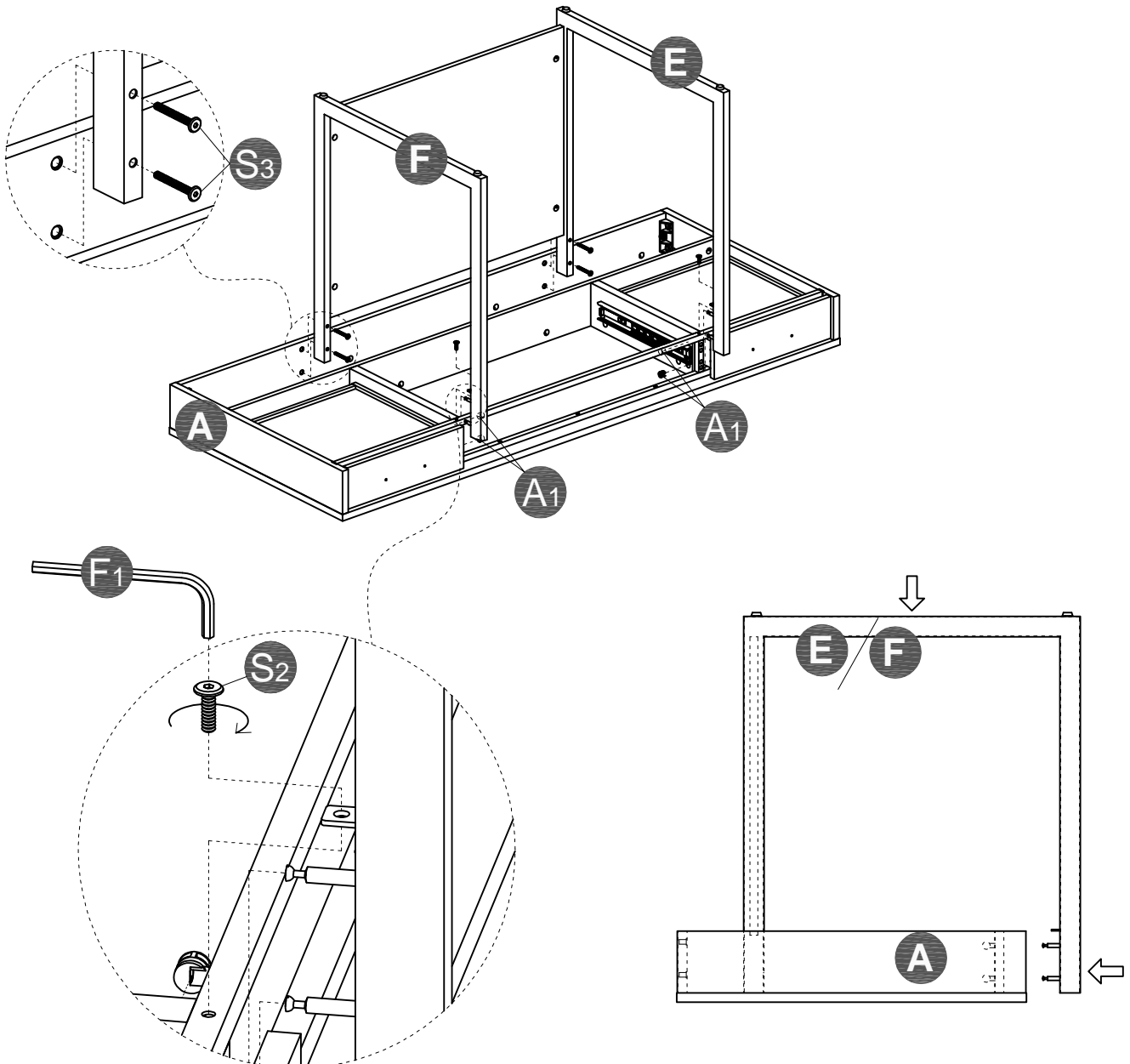
F1 x1pc



S3 x4pcs



With assistant carefully flip unit over.

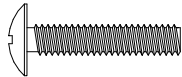


STEP 5

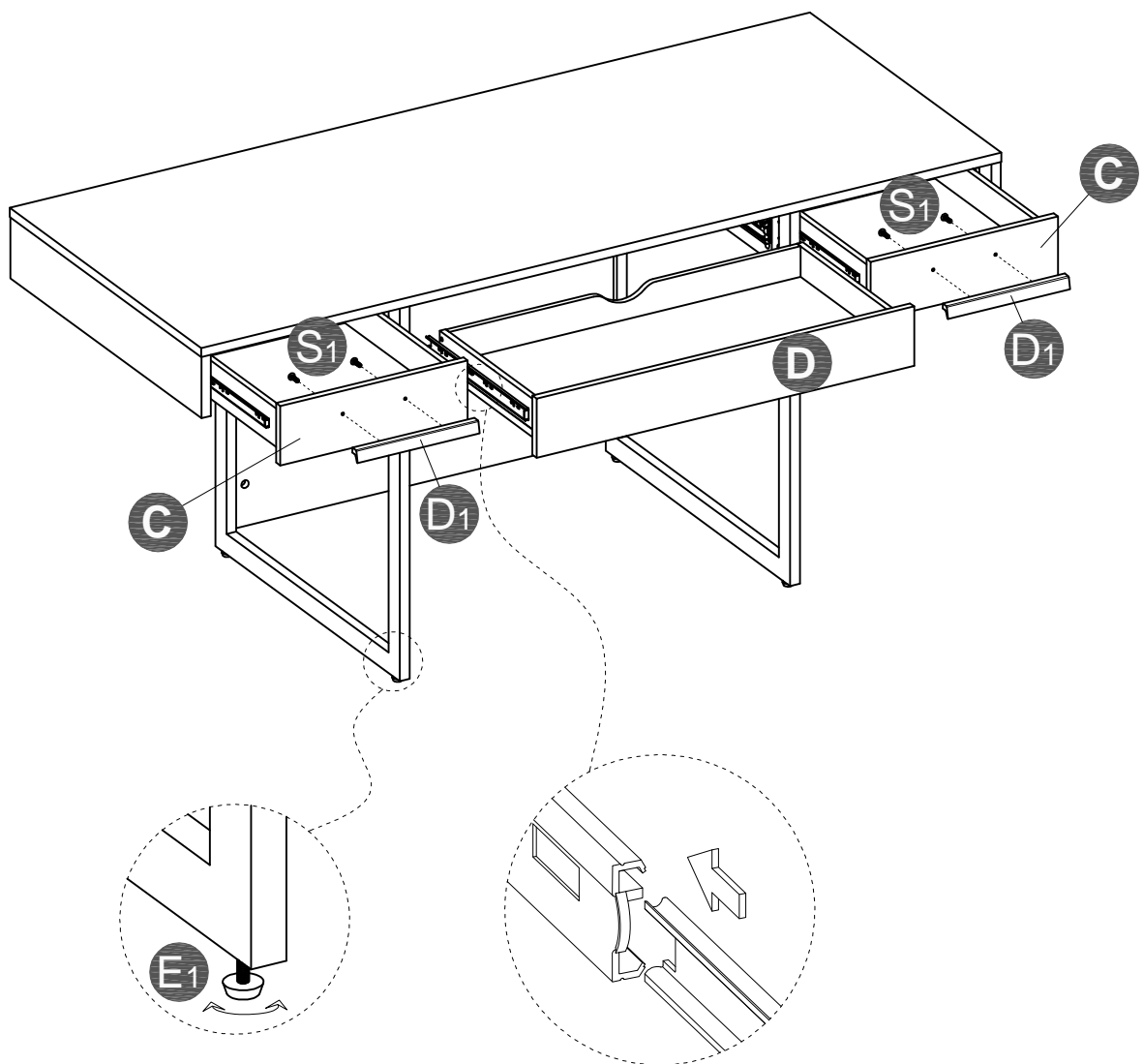
D1 x2pcs



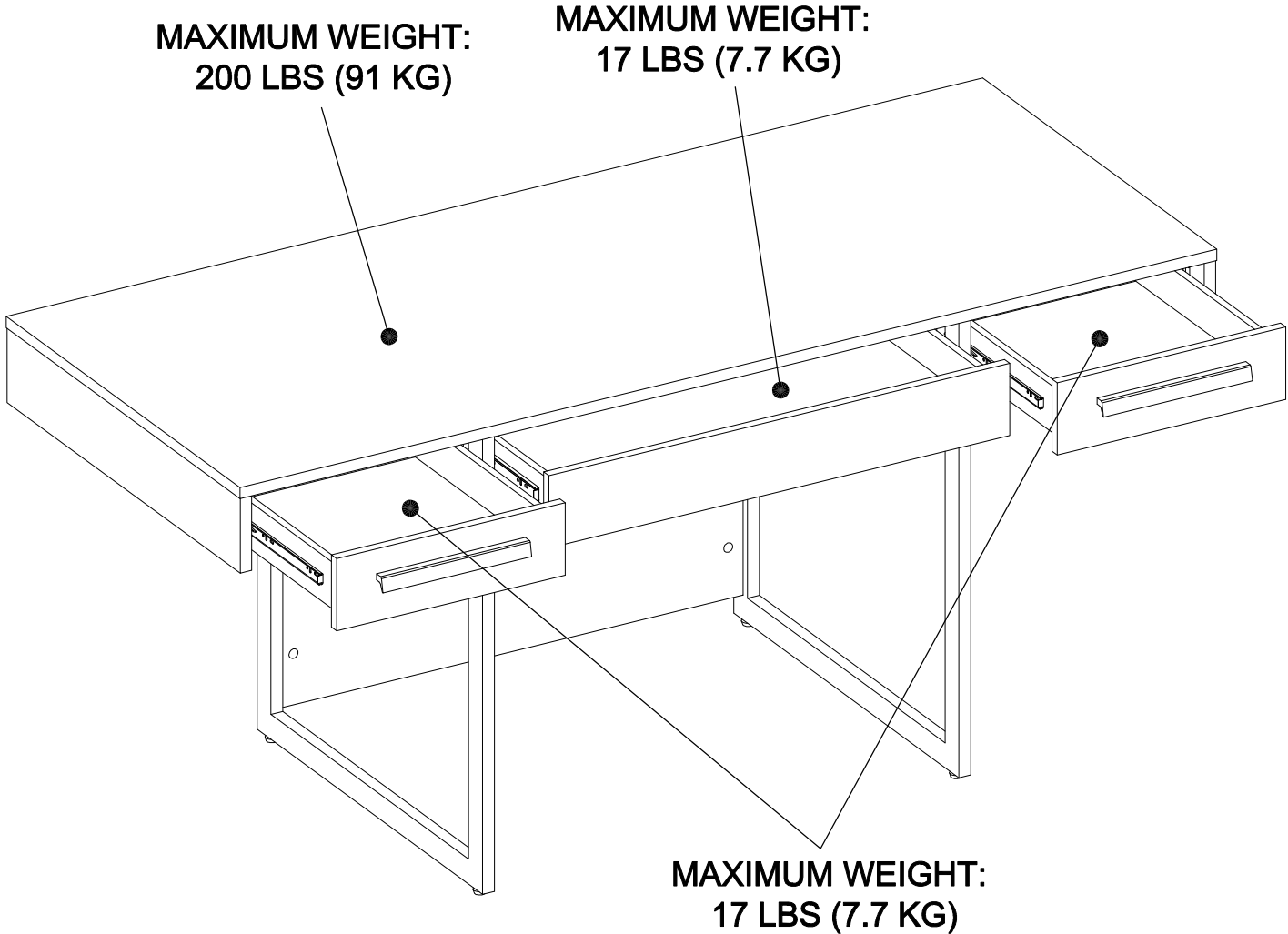
S1 x4pcs



With assistant carefully stand unit up.



Maximum weight capacities



THIS PAGE INTENTIONALLY LEFT BLANK

What is Proposition 65?

Proposition 65 is a California law that requires warning labels on products that may contain one of more than 800-plus chemicals or ingredients that the California Office of Environmental Health Hazard Assessment (OEHHA) has deemed to cause cancer or other reproductive toxicity. chemicals and elements on this list include wood dust , brass , and other everyday substances, which can be found in very common household items, such as : lamps , tableware , jewelry , crystal glasses , electric cords , beauty products , automobiles , and furniture.

Why Did I Find a Proposition 65 Warning on My Home Goods Product?

We include Proposition 65 warnings on all of our products because there is always a chance that one of the 800-plus common chemicals and ingredients listed under this law could potentially be on our furniture or packing materials. We risk large fines under this law , if we don't include this warning.

Should I worry?

We realize you may be worried finding this warning on our products , but we want to reassure you that the hazardous exposure limits for any of these chemicals have never been found on furniture products that we've shipped to our customers. Additionally, this warning label is very common and can be found on almost every piece of furniture sold in the state of California.

Just How Common Are Proposition 65 Warnings?

Proposition 65 warnings have become so common in California that it is hard to take a trip to local bank, grocery store , or restaurant without finding at least one warning. In fact, even the Disney Land Resort has a Proposition 65 warning:

