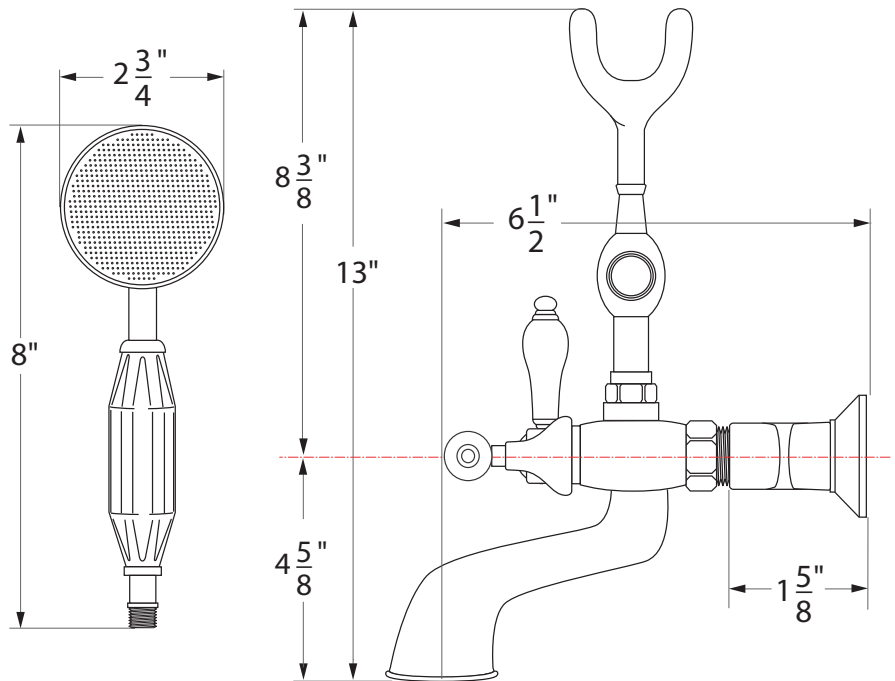
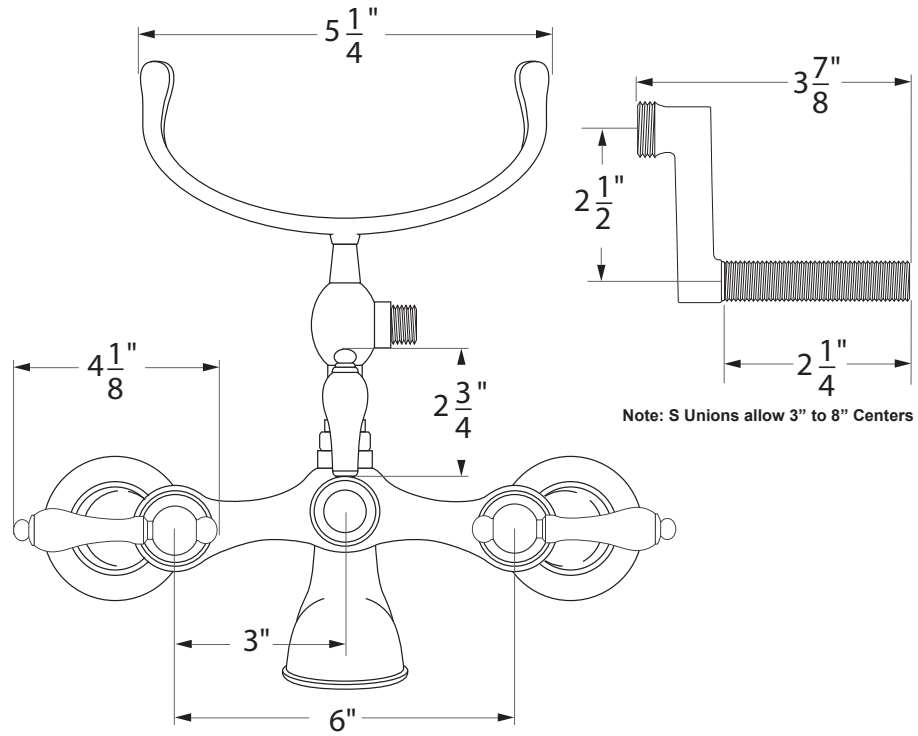




## Model # 5115-LEV

### INSTRUCTIONS

1. Attach the S-Union to the tub with flat metal washer and 1/2" lock nut. Make sure that escutcheon is tight against S-Union arm (hand tighten only).
2. Attach faucet to S-Unions (3/4" rubber washers must be installed) and adjust faucet so that it sits level. Now tighten hex nuts on back of faucet to secure the S-Unions. Then tighten the 1/2" lock nuts on the back of the S-Unions to secure faucet on vertical surface.
3. Next connect the water supply lines. Must have hot going to hot side & cold to the cold side. If using 1/2" OD decorative supply line connect the hex nuts at the top of the supply lines to the back of the S-Unions. If installing inside the wall use copper fittings.
4. Install the hand shower cradle on to the top of the faucet body. Place the rubber washer in the hex nut at the base of the cradle and tighten until sealed and secure.
5. To install the shower hose place the 1/2" rubber washers in the cone nuts at both ends of the shower hose. Install one end to the side port on the cradle stand and one end to the bottom of the hand shower. Hand tighten.
6. Once installed, remove aerator and hand shower to flush faucet and water lines. This will remove any debris that may be trapped. Then attach shower head and aerator.



### CARE AND MAINTENANCE

Minimum Maintenance is required to maintain product finish. With proper maintenance your CHEVIOT Faucet will continually look like new. Special care should be taken when cleaning your faucet and the following suggestions should help extend your faucet life.

- a) Cleaning should be done regularly using a soft cotton cloth and warm water, then towel dry.
- b) Do not use cleaners that contain abrasives or harsh chemicals; Care should be taken in selecting cleaning supplies. Many cleaners contain detergents, ammonia, or other corrosive solvents that could damage your faucet finish.
- c) occasionally clean with a non-abrasive wax polish.