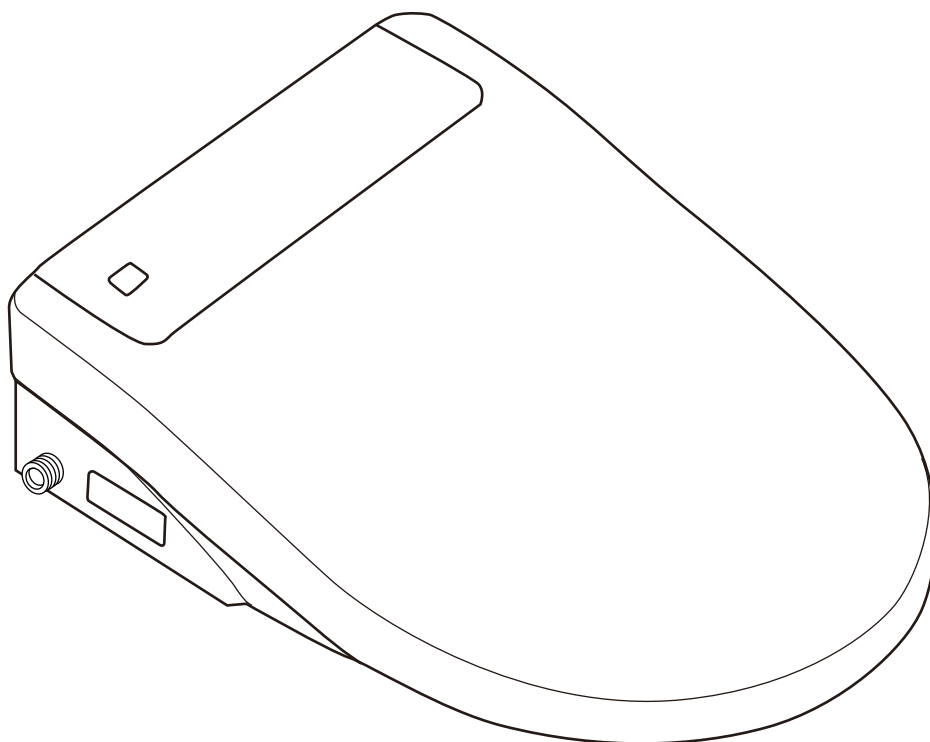


WOODBIDGE[®]

ELECTRONIC TOILET SEAT



B0940S T-0008

Installation Manual

- Thank you for choosing our products.Please read the instructions carefully before installation and keep it available for future maintenance or reference.
- Our company reserves the right of final interpretation for this manual.
The manual is subject to change without notice.



READ ALL INSTRUCTIONS BEFORE UNPACKING THE PRODUCT

INSTRUCTIONS THAT, IF IGNORED COULD RESULT IN DEATH OR SERIOUS INJURY CAUSED BY INCORRECT HANDLING OR INSTALLATION OF THE PRODUCT. THESE INSTRUCTIONS MUST BE OBSERVED FOR SAFE INSTALLATION.

CAUTION!



TWO PERSON LIFT REQUIRED

2 PEOPLE ARE REQUIRED TO LIFT AND DURING ENTIRE INSTALLATION OF THIS PRODUCT



INSTALLATION OF THIS PRODUCTS BY AN INEXPERIENCED INSTALLER MAY RESULT PERSONAL INJURY OR DEATH!



We reserves the right to change, update, modify, alter, redesign this manual/product or its policies without prior notice!

We shall not be liable for any injuries or property damages in connection with this product during installation or use of this product!

This products must be installed by a fully insured and licensed plumber only. Installation of any our product by anyone other than fully insured and licensed plumber shall void limited warranty. We recommends that such licensed plumber have experience in the installation of products.

Limited warranty is void on any commercial installation

We are not responsible for local code compliance for this product. Building and plumbing codes may vary from state-to-state in accordance to your location. We are not responsible for providing any compliance certifications.

Under no circumstances we are shall not be liable for any and all incidental damages sustained in connection with this product

Neither manufacture, nor distributor, nor retailer is responsible for water damage or flood caused due to use of this product.

Under no circumstances We shall not be liable for any and all fees, cost of installation/reinstallation/removal, subsequent damage or transportation in case of the product defect

Introduction

Important Safeguards _____ **01**

Technical specification _____ **03**

List of packing _____ **04**

Parts identification _____ **05**

Installation instructions _____ **06**

1.Installation dimension

2.Installation of mounting plate

3.Installation and disassembly of main unit

4.Connecting the water supply pipe

Usage instruction _____ **08**

1.Checking the power and water supply

2.Function illustration of keys in main unit and actuator

3.Function illustration of keys in remote-control and LCD display instruction

Daily maintenance _____ **10**

1.Main unit maintenance

2.Spray nozzle maintenance

3.Inlet filter cleaning

4.Tank anti-freezing and anti-bacterial maintenance

Troubleshooting Guide _____ **12**

Operation

IMPORTANT SAFEGUARDS

When using electrical products, especially when children are present, basic safety precautions should always be followed, including the following:

1. The appliance is not to be used by persons (including children) with reduced physical, sensory or mental capabilities, or lack of experience and knowledge, unless they have been given supervision or instruction.
2. Children being supervised not to play with the appliance.
3. This appliance can be used by children aged from 8 years and above and persons with reduced physical, sensory or mental capabilities or lack of experience and knowledge if they have been given supervision or instruction concerning use of the appliance in a safe way and understand the hazards involved.
4. Children shall not play with the appliance.
5. Cleaning and user maintenance shall not be made by children without supervision.

READ ALL INSTRUCTIONS BEFORE USING



DANGER—To reduce the risk of electrocution:

1. Do not use while bathing.
2. Do not place or store product where it can fall or be pulled into a tub or sink.
3. Do not place in or drop into water or other liquid.
4. Do not reach for a product that has fallen into water. Unplug immediately.
5. Do not wash the main unit or electrical plug with water or detergent.
6. Do not handle the electrical plug with wet hands.
7. Do not put a hand or other staff over the outlet of air dryer or block the outlet of air dryer.
8. Never disassemble, repair or modify this product.
9. During installation, disassembly, repair and maintenance of the product, the power plug must be switched off and water supply be shut off.



WARNING—To reduce the risk of burns, electrocution, fire, or injury to persons.

1. Close supervision is necessary when this product is used by, on, or near children or invalids.
2. Use this product only for its intended use as described in this manual. Do not use attachments not recommended by the manufacturer.
3. Never operate this product if it has a damaged cord or plug, if it is not working properly, if it has been dropped or damaged, or dropped into water. Return the product to a service center for examination and repair.
4. Keep the cord away from heated surfaces.
5. Never use while sleeping or drowsy.
6. Never drop or insert any object into any opening or hose.
7. Do not use outdoors or operate where aerosol (spray) products are being used or where oxygen is being administered.
8. Connect this product to a properly grounded outlet only. See Grounding Instructions.
9. Do not throw cigarettes and other burning stuff into toilet, otherwise it might cause fire.
10. This product is electric appliance, so it must be placed far away from water. Please don't drench urine and other liquid to it.
11. Do not lay on side or upside the product during the electrical circuit.
12. It is prohibited to use other electric appliances in the same socket.
13. It is forbidden to use the power extension or unstable loose outlet.
14. The old aging water supply hose can not be used, otherwise it might cause leakage, fire or electrical shock. Installation of the bidet seat should include specified components and new water supply hose.

IMPORTANT SAFETY INSTRUCTIONS



CAUTION—Indicates that failure to follow the instruction may cause body injury or property damage.

1. Do not install or use the product in wet places as steam room etc. This product must be connected to properly grounded power outlet socket.
2. It is recommended to use water-proof electrical outlet which should be installed in the place where is not easily got wet.
3. This product should be used with AC 110V-120V, 50/60Hz electrical current only, load current is at least 15A. Power plug must be equipped with ground fault circuit interrupter or ground fault electrical leakage protector or similar high sensitive, rapid type leakage switch (Rated sensitive current under 15mA).
4. When it thunders, it is strongly recommended to pull out the power plug.
5. Do not stand on ceramic toilet.
6. Ceramic toilet must install floor fixing bolt.
7. Do not stand on product unit, seat and cover.
8. Do not lean against the seat cover when using the product, to avoid damage.
9. This product is equipped with soft-closing seal cover. Heavy pressing or pushing may damage the soft-closing damper.
10. Do not use lacquer thinner, petrol, liquid medicine, detergent, insecticide, toilet cleanser and scrubbing brush to clean the product.
11. Exposure to direct sunlight is prohibited.
12. Only use tap water or potable water; otherwise it may cause chafing.
13. Do not connect water supply to heater outlet. Make sure inlet water temperature at 3~35 .
14. When the room temperature is under zero degree, please dry up the water tank, to avoid freezing.
15. Raise rest room temperature to prevent the toilet from damage due to freezing.
16. When move the product from cold or wet environment into normal room temperature, wait for 2 hours until the condensation water is fully volatilized. Doing so can prevent the product from electrical short-circuit.
17. When not using the product over three(3) days, drain the water out of the container and pull the electrical plug from the wall outlet.
18. Stop using the product and shut off the power when product malfunctions, please contact the service people for professional service.

GROUNDING INSTRUCTIONS

This product should be grounded. In the event of an electrical short circuit, grounding reduces the risk of electric shock by providing an escape wire for the electric current. This product is equipped with a cord having a grounding wire with a grounding plug. The plug must be plugged into an outlet that is properly installed and grounded.



DANGER – Improper use of the grounding plug can result in a risk of electric shock.

If repair or replacement of the cord or plug is necessary, do not connect the grounding wire to either flat blade terminal. The wire with insulation having an outer surface that is green with or without yellow stripes is the grounding wire.


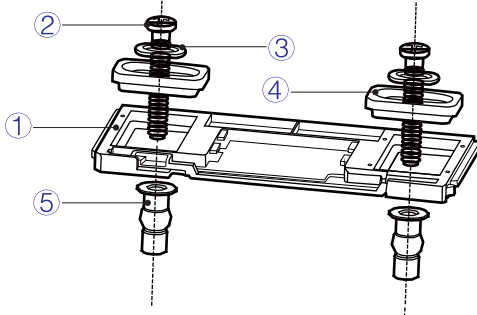
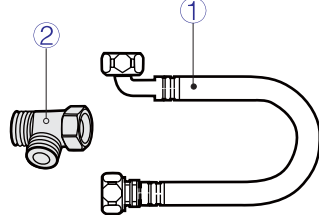

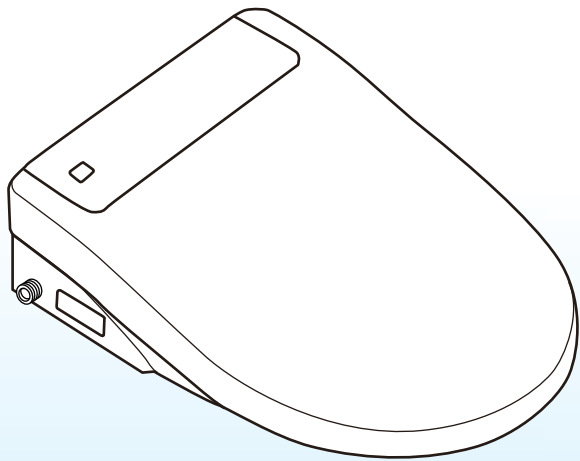
This product is factory equipped with a specific electric cord and plug to permit connection to a proper electric circuit. Make sure that the product is connected to an outlet having the same configuration as the plug. No adapter should be used with this product. Do not modify the plug provided — if it will not fit the outlet, have the proper outlet installed by a qualified electrician. If the product must be reconnected for use on a different type of electric circuit, the reconnection should be made by qualified service personnel.

SAVE THESE INSTRUCTIONS

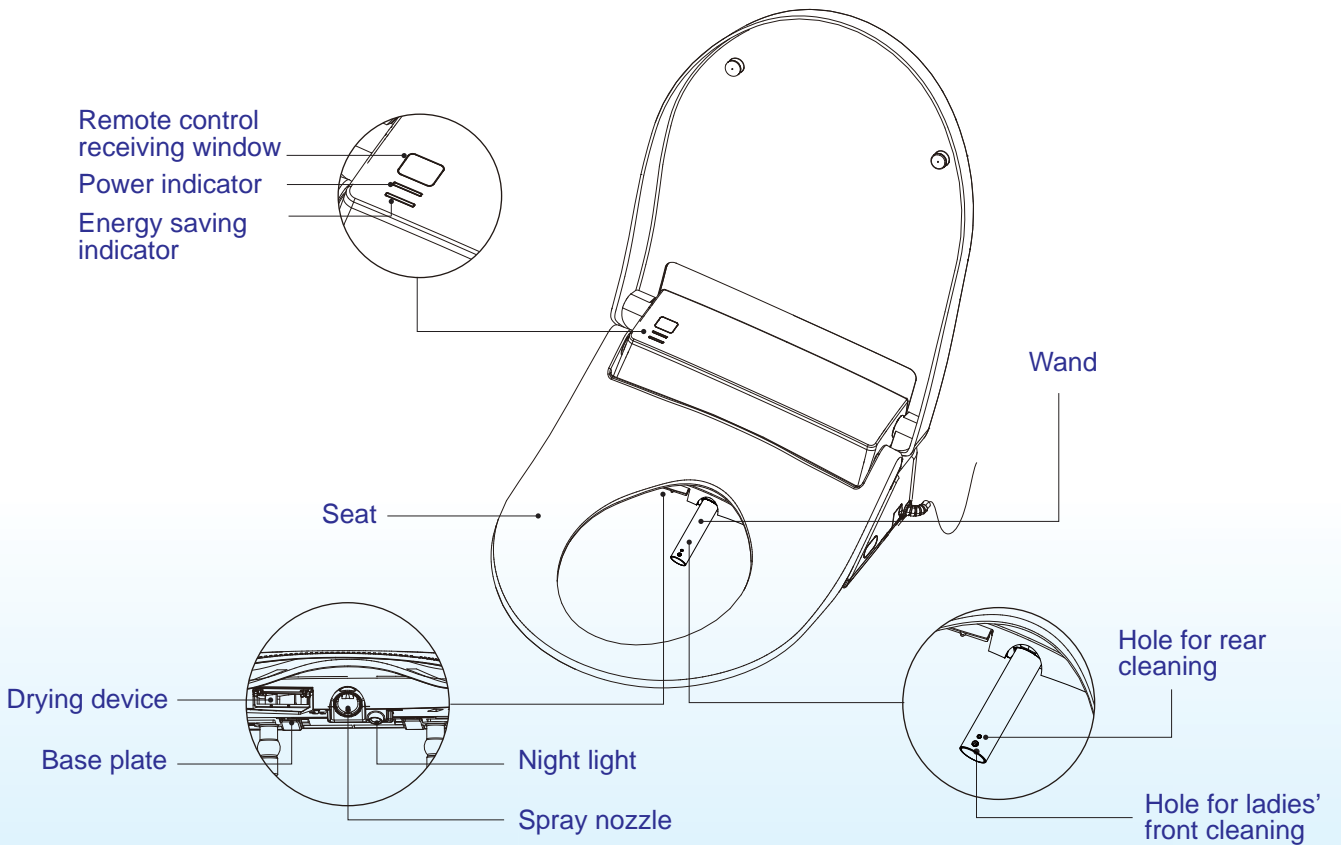
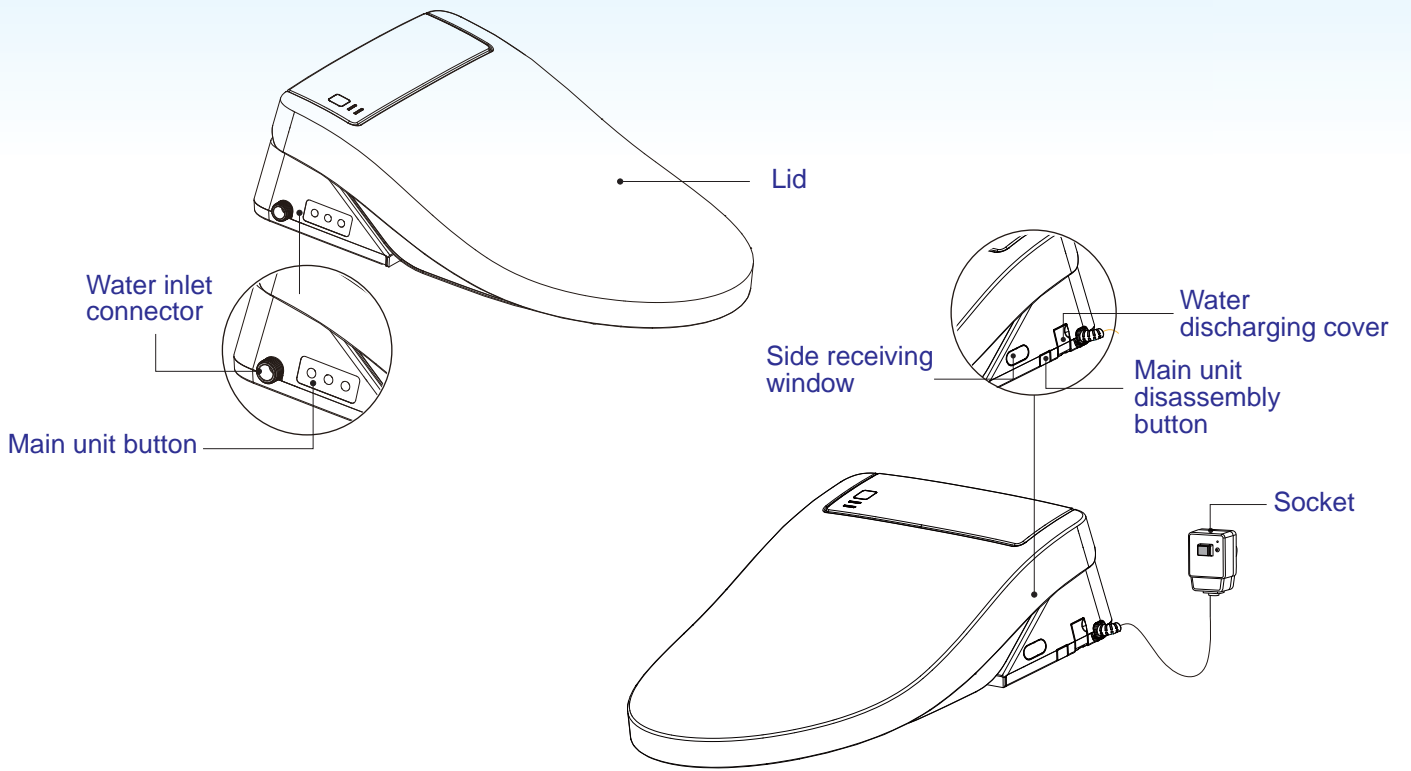
Technical Specification

Main Unit	Rating pressure	AC 110-120V,50/60Hz
	Rating power	1050-1250W
	Water pressure range	Minimum water pressure 0.07MPa (20L/min. flowing pressure). Maximum water pressure 0.8MPa (Hydrostatic pressure)
	Electrical wire	length is about 1.8m
Cleaning device	Container capacity	600 ml
	Heating power	1000W
	Water temperature	6 different level adjustment
	Water volume	5 different level adjustment
	Cleansing mode	Rear cleaning/Rear massage,Front cleaning for ladies
	Spray cleansing location	5 different level adjustment
	Water pressure protector	Pressure stabilize ,Automatic pressure discharging
	Anti-fouling device	Speedy water discharge device, Automatic nozzle cleaning, Anti-syphon device, Anti-backflow device, Filter device
	Safety device	Temperature controller, Thermal fuse, Ground protection, Leakage protection device, Air burning preventer
Drying device	Warm wind speed	Over 4 M/S
	Warm wind temperature	6 different level adjustment
	Heating power	250W
	Safety device	Temperature sensor, Temperature controller, Thermal fuse
Heated seat	Surface temperature	6 different level adjustment
	Heating power	50W
	Open and close device	Quiet soft-closing device
	Heated burning protection	The seat temperature will automatically lower to level 1 in 10 minutes after using
	Safety device	Seat sensor, Temperature sensor, Temperature controller, Thermal fuse
Intelligent	Night light assembly	Intelligent,often in the off state
	Mute setting	Buzzeroff during night
	User ID setting	To avoid disturbance from remote controls by multi-user

Packaging List

<p>Remote Control Panel Parts</p>		
<p>Base Plate Parts</p>	<ul style="list-style-type: none"> ① Base plate ② Bolt (2pcs) ③ Flat Washer (2pcs) ④ Plastic Plate (2pcs) ⑤ Expansion Nut (2pcs) 	
<p>Water Supply Assembly</p>	<ul style="list-style-type: none"> ① Water Supply Pipe (1pcs) ② 3-way Connector (1pcs) 	
<p>Installation Manual Warranty Card Installation paperboard</p>	<p>Installation Manual</p> <p>Warranty Card</p> <p>Installation paperboard</p>	
<p>Main Unit</p>		

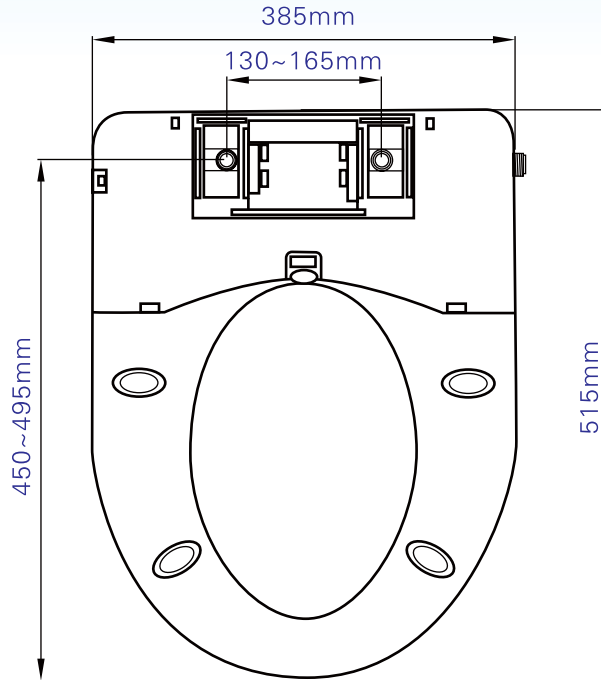
Main unit identification



Installation Instruction

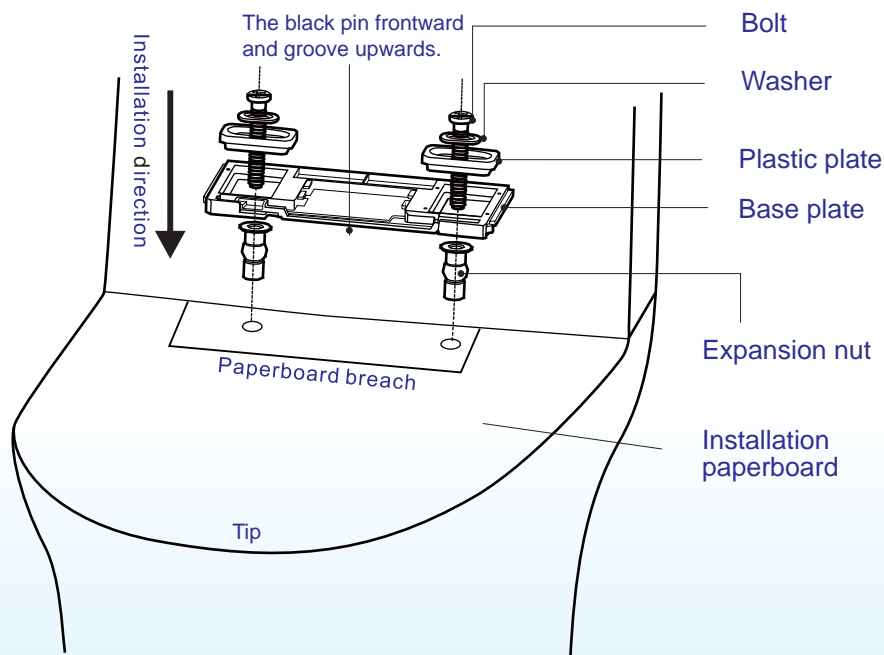
Installation dimension

Note: please check if the installation dimension matching the user's toilet.



Installation of mounting plate

Press the expansion nuts into the installation holes in the toilet, then install the base plate, plastic plates, flat washers and bolt as per the drawing and tighten the bolts.



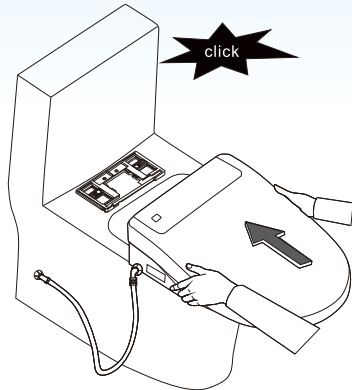
Note:

Unfold the installation paperboard, align the paperboard well fit ceramic bowl from the tip, and then insert base plate to the paperboard breach to make sure base plate allign with paperboard breach.

Installation and disassembly of main unit

Installation

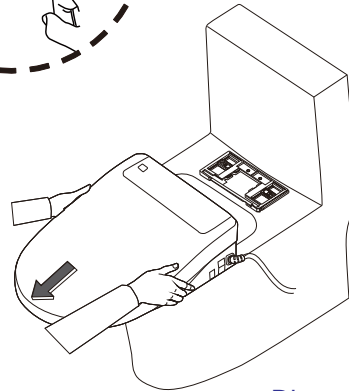
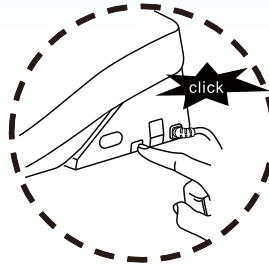
Push the washlet back onto the base plate until a “click” is heard.



Installation

Disassembly

Press the “removal button” on washlet, until a “click” is heard, and pull it out.



Disassembly

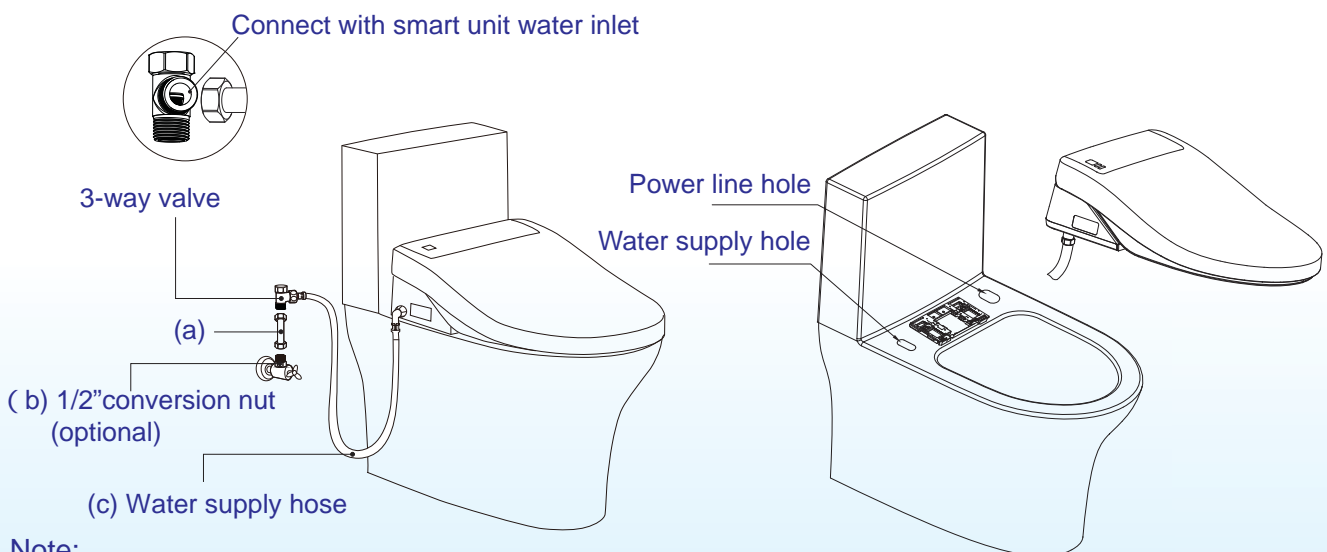
Note:

Before pulling out the washlet, release hand from “removal button”.

Connecting the water supply pipe

1. Side inlet: Install the 3-way valve onto angle valve, then attach the water supply hose and the washlet inlet hose into 3-way valve. Connect L-shaped end of water supply hose to the washlet inlet connector. [(a) and (b) parts not included in the water supply assembly.]

2. Bottom inlet: Connect water supply on the inlet connector, then put supply hose and power line through the relevant holes, finally install seat cover.



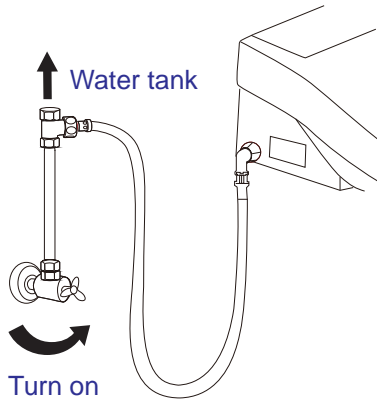
Note:

Do not distort or damage the supply hose to avoid any leakage.
 Do not use water supply hose and other accessories of other brands, which may cause danger.
 Do not recommend to use our old water supply hose and accessories, which may cause danger.

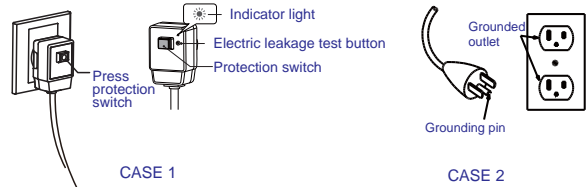
Installation instruction

Checking the power and water supply

Connect the water supply hose and turn on the angle valve. Check if any leakage.



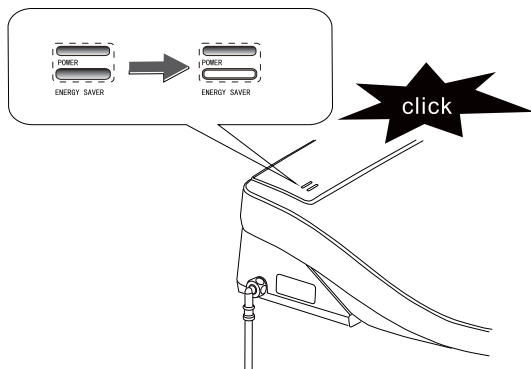
Insert power plug into power socket.



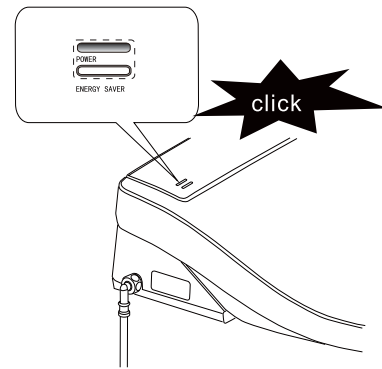
NOTE:
If it's an electric leakage protection plug, press protection switch, indicator light is on which means there is electricity. Press electric leakage test button prior to usage, protection switch bounces to show that protection function works normally.

NOTE:
If it's not an electric leakage protection plug, insert power plug into power socket directly.

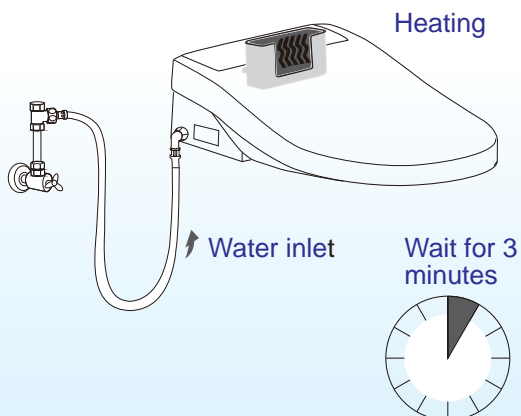
The main unit buzzer rings first "click", the power light and energy saver light will flash. Power light on and energy saver light off means self-inspection.







The buzzer rings second "click" to show that self-inspection is finished.



The water starts to flow into tank and heating will take 3 minutes.



Function illustration of keys in main unit and actuator

	 Power	<ol style="list-style-type: none"> 1. Long press “Power” button to enter standby mode; and then quick press “Power” button to restore functional mode. 2. When people sit, press “Power” button to stop the function of rear, front cleaning or drying. When no one sits, press “Power” button to switch between function mode and power save mode.
	 Front cleaning button	When people sit, press “Front cleaning” button, it will clean the front portion of body; repress “Front cleaning” button or “Power” button, the function will be finished. After a cycle, this function will be finished automatically, if people keep sit, it will switch to drying function, and will stop after a cycle.
	 Rear cleaning button	<ol style="list-style-type: none"> 1. When people sit, press “Rear cleaning” button, it will clean the rear portion of body; repress “Front cleaning” button or “Power” button, the function will be finished. After a cycle, this function will be finished automatically, if people keep sit, it will switch to drying function, and will stop after a cycle. 2. When no one sits, press “Rear cleaning” button, then the wand will stretch out to clean the nozzle and spray wand.

Remark:

1. When main unit is in functional mode, the light of power goes on and energy saver light is off; When in energy save function, the light of power goes off, and energy saver light is on; When in standby mode, both lights are off.
2. The default setting of all function is on middle level, after using remote-controller, shift to the level showing on remote-controller.
3. If the product is not used for continual 72 hours, the water in the tank will automatically discharge for 90 seconds and replaced by fresh water, to avoid bacteria.

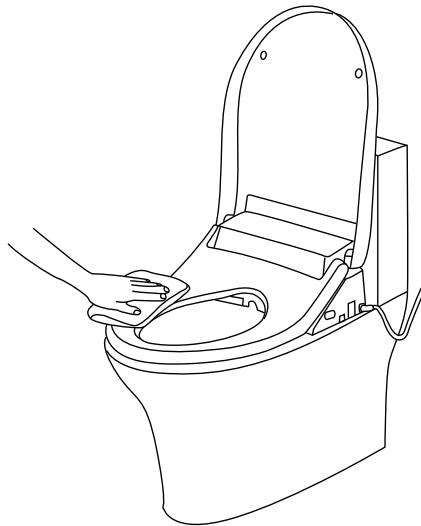
Function illustration of keys in remote-control and LCD display instruction

- The operating method of remote control shows in instruction manual.

Daily maintenance

Main unit maintenance

- 1.Shut off power supply at maintenance.
- 2.Turn the seat upward open,press down the button located on the right side of main unit and pull out the seat.Wipe the stain with a soft damp cloth.
- 3.After cleaning,re-install the seat back to main unit.



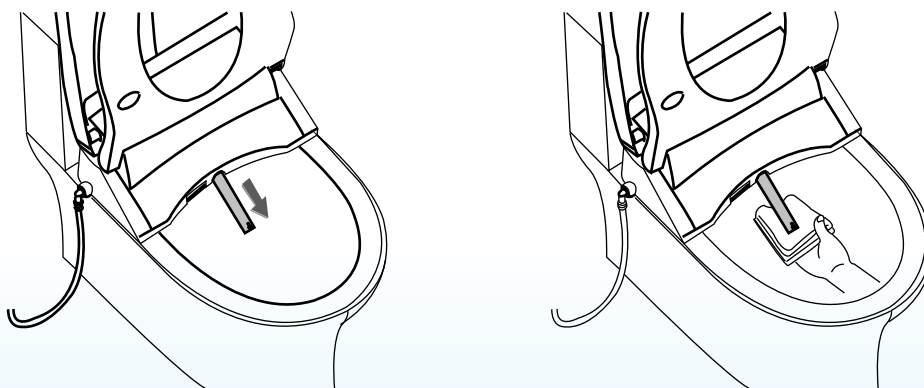
Note:

Do not pour the water on the product at maintenance.

Spray nozzle maintenance

Do the following to clean the wand.

- 1.Press “nozzle cleaning” or “rear cleaning” button for a while and wand will come out.Wipe the wand clean with a soft damp cloth.
- 2.Hold “nozzle cleaning” button and the wand doesn’t come out.The nozzle will automatically spray to self-clean.
- 3.Press again “nozzle cleaning” or “stop” or “rear cleaning” button,it will stop the cleaning.

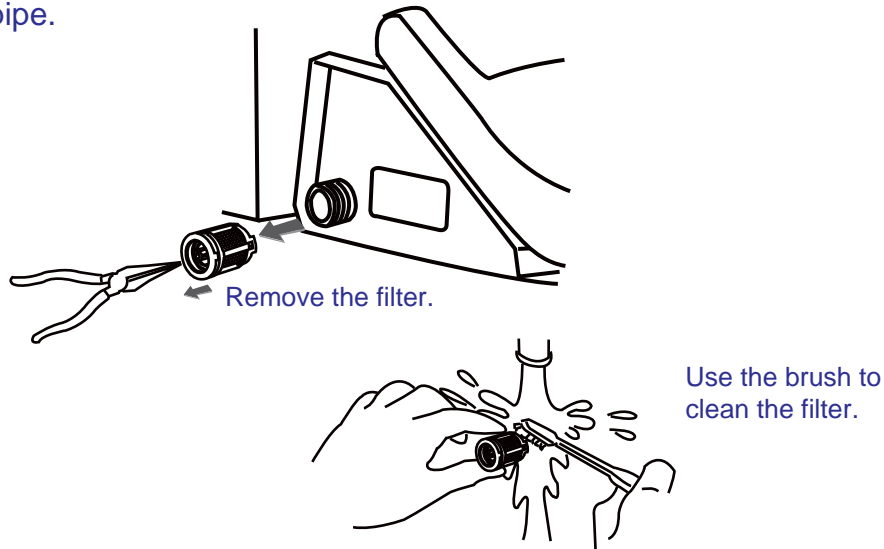


Note:

Do not apply force when pushing or pulling the wand,as this may damage the mechanism.

Inlet filter cleaning

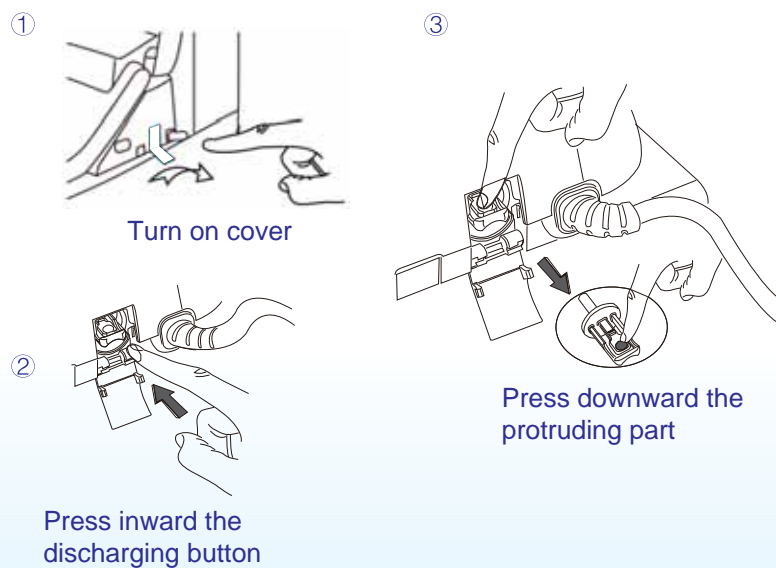
1. Pull out electrical plug, then shut off water supply valve and remove water supply hose.
2. Remove the filter. Use the brush to clean the filter.
3. Put the filter back into inlet after cleaning. Then connect the water supply pipe.



Tank anti-freezing and anti-bacterial maintenance


When room temperature is under zero and electricity is disconnected, or user is away for a long time. The water inside the tank should be discharged.

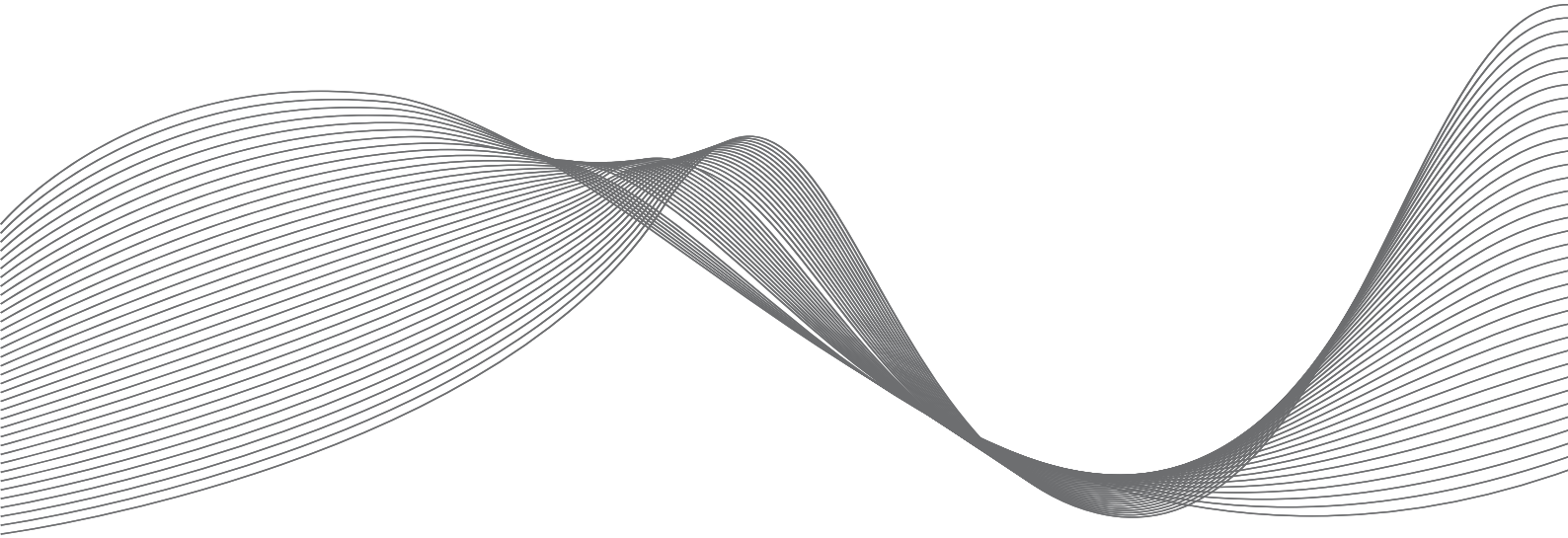
- 1) Open the tank cover, press the discharge button, turn on valve to discharge the water.
- 2) Slightly press the discharge button protruding part to turn off discharging valve and cover.



Note : Before water discharging, the power must be cut off!

Troubleshooting Guide

Problem	Cause	Solution
No flushing	Water supply hose buckling causes block	Solve the buckling
	Fill valve is off	Turn on the fill valve
	Water supply is cut off	Connect water supply and wait for the water
Poor flushing	Water supply hose buckling causes partial block	Solve the buckling
	Fill valve is not fully turned on	Turn on the fill valve fully
	Filter is dirty and causes block	Clean the filter
The water is not hot	The water temperature is setted on normal temperature level	Reset the water temperature
	In standby mode or power save mode	Switch to function mode, and then wash after 3 minutes
Seat temperature is not hot	The seat temperature is setted on normal temperature level	Reset the seat temperature
	In standby mode	Shift to function mode for 3 minutes
Wind temperature is not hot	The wind temperature is setted on normal temperature level	Reset the wind temperature
No wind out	In standby mode or power save mode	Shift to function mode to use dry function
Spray wand cannot retracted	Power off	Push back the wand lightly and wait for the power
	Get stuck by impurities	Clear away the impurities
Spray wand cannot stretch out	Power off	Push back the wand lightly and wait for the power
	Do not sit in sensing area	Sit right in the sensing area
Controller cannot display	Reverse the polarity of battery	Reload the battery
 Caution	If the problems cannot be solved as per above methods, please shut-off the power, and contact service providers for maintenance.	
	If the leakage circuit breacker often trips off, it means the products has electricity leakage, so please shut-off the power, and contact service provider for maintenance.	



Please contact us if you have any questions.
Customer Service Phone: 562-774-2284.
Or email : help.woodbridge@gmail.com

The picture of product may not entirely consistent with actual appearance and color because of products improvement, please in kind prevail.