



30 : 00

---

estimated  
assembly time



2 or more

---

people required

Ok, let's  
get started!



- Put on mood music!
- To prevent damage to product, use the clean side of package carton or rug as working surface.
- In the event of missing or damaged parts, delivery problems etc., please reach out to our team. We will be happy to fix the problem!

# care guide

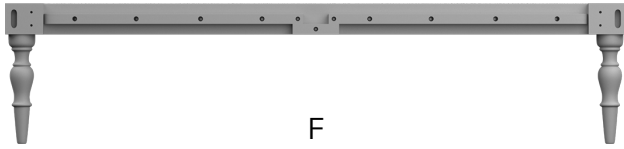
- Clean regularly with a soft and dry cloth.
- To protect finish, avoid use of abrasive cleaners.
- Wipe up spills immediately. Please!

---

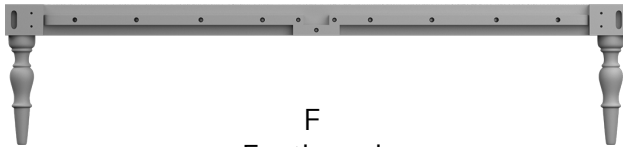
ⓘ **While assembling the product, tighten the bolts up to 50%. Once all parts are in place, only then fully tighten the bolts.**



# product parts



F  
Headboard  
x1



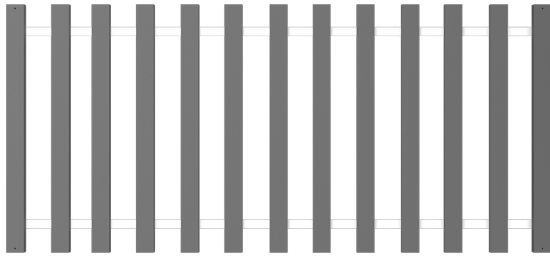
F  
Footboard  
x1



G  
Side Rail  
x2



H  
Mid Rail  
x1

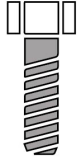


J  
Slates  
x2

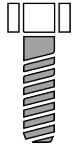


I  
Mid Legs  
x3

# what's included



(A) - Bolt (8 x 40mm)  
x5



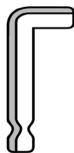
(B) - Bolt (8 x 25mm)  
x8



(C) - Washer (Ø8.5mm)  
x8



(D) - Lock Washer (Ø8.5mm)  
x8



(E) - Allen Key  
x1

## assembly instructions

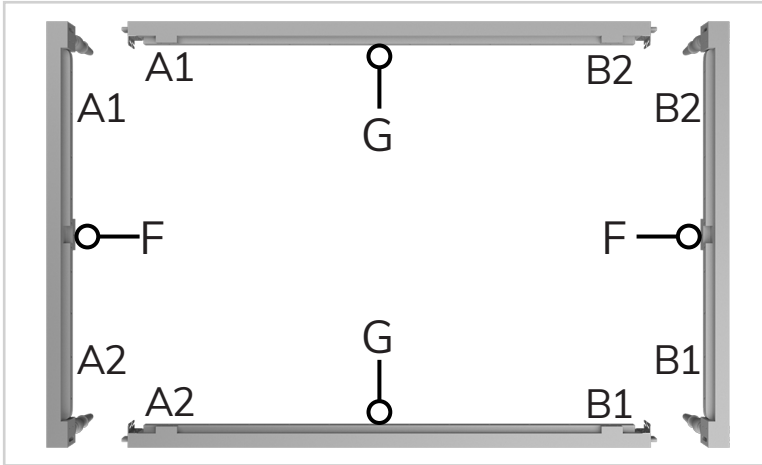
Friendly Tip: Take a deep breath going in. This may be a tricky part, but nothing too overwhelming. Just follow these steps to the T and the outcome will be worth it!



- ⓘ While assembling the product, tighten the bolts up to 50%. Once all parts are in place, only then fully tighten the bolts.

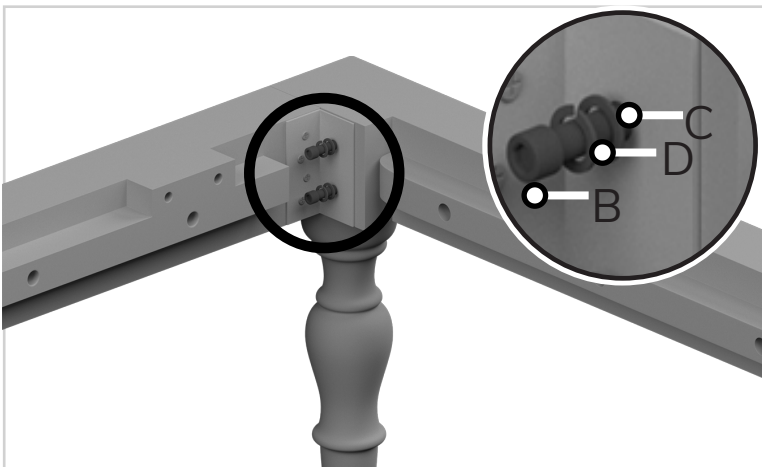
step 1:

First, align the headboard (F) and footboard (F) to the two side rails (G) so that the matching stickers fall adjacent to each other. See this image for reference.



step 2:

To attach (G) to (F), insert lock washer (D), washer (C), and bolt (B) as shown in this image.





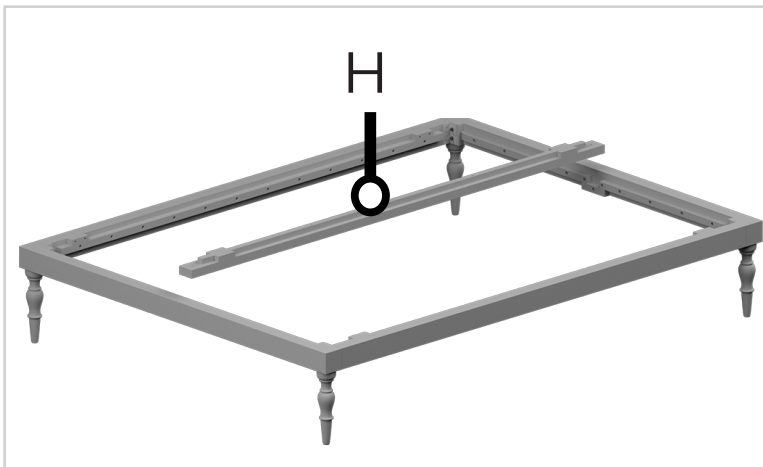
step 3:

After attaching all corners, the product will look as shown in this image.



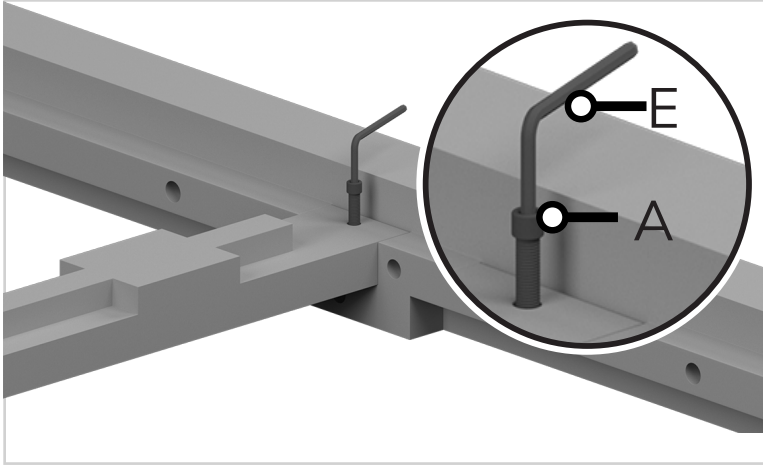
step 4:

Now, place the mid-rail (H) in the centre as shown in this image.



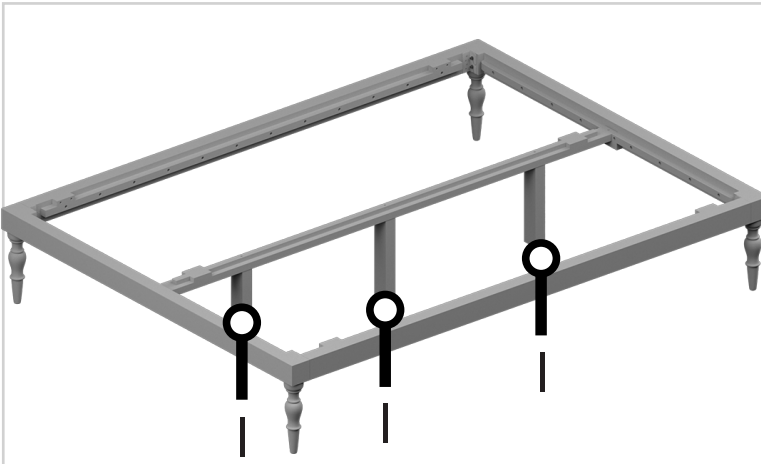
step 5:

Using the image as reference, place the bolt (A) and fix the mid-rail in place with the help of allen key (E).



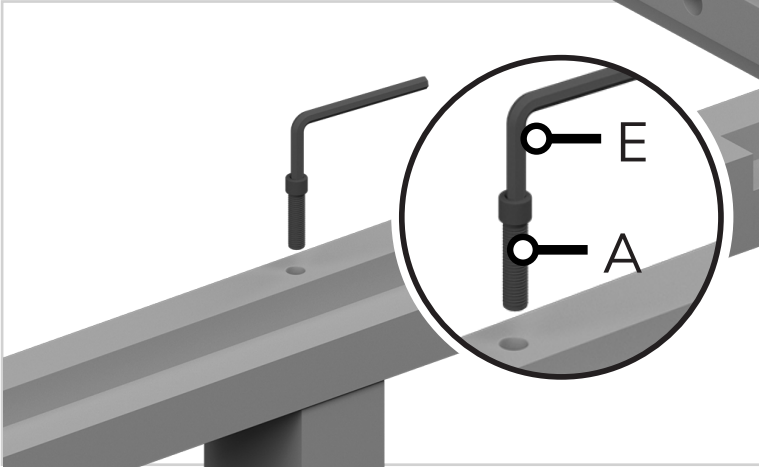
step 6:

Next place the three mid-legs (I) to the mid-rail (H) as shown in this image.



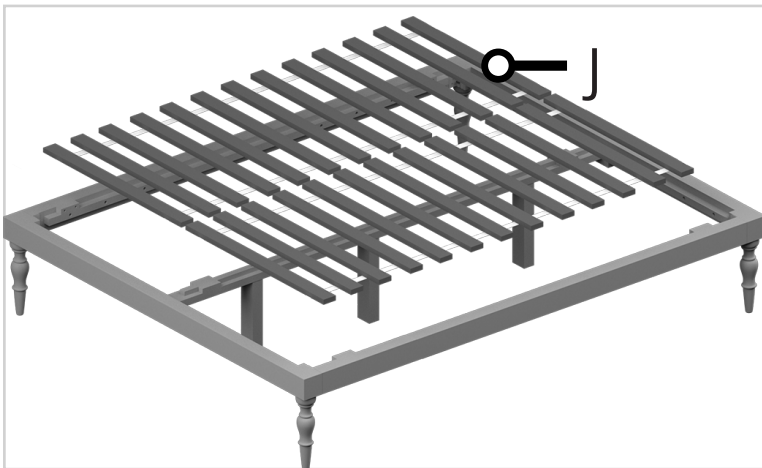
step 7:

Using the image as reference, place the bolt (A) and fix the mid-legs in place with the help of allen key (E).



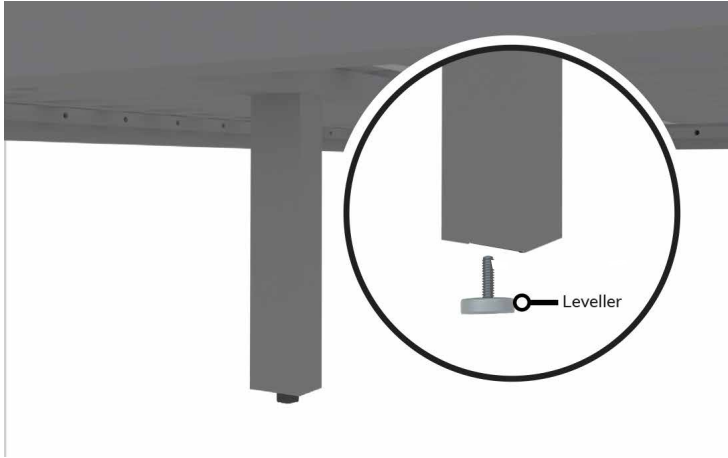
step 8:

Place all the slates (J) parallel to each other as shown in this image. Make sure the slates are fixed in place.



step 9:

Now, if required, adjust the leveller according to the floor.





---

**Voila! Your bed is now assembled and secure!**

you've  
got  
a home  
with us

