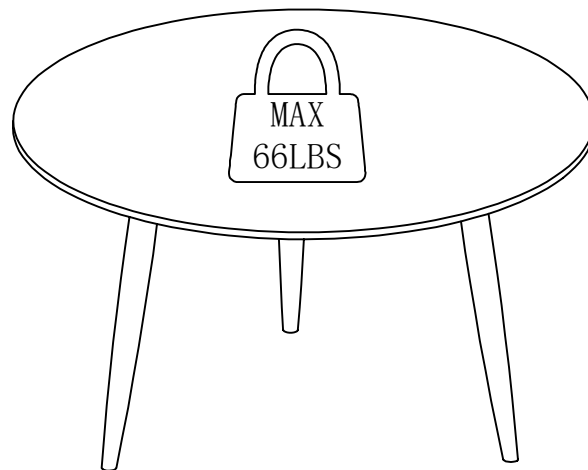
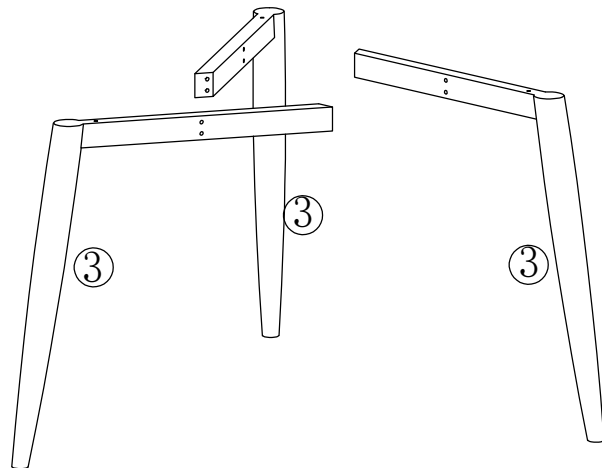
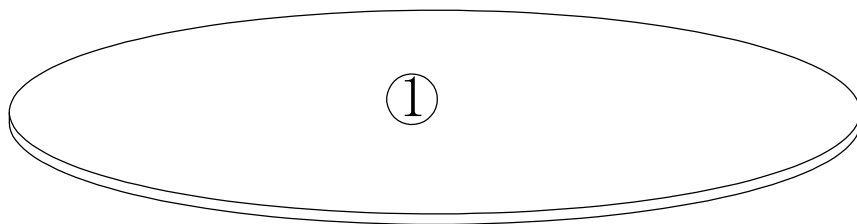
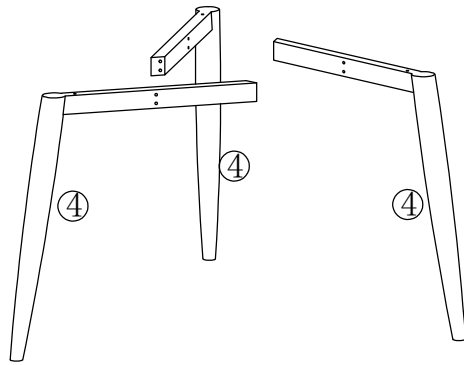
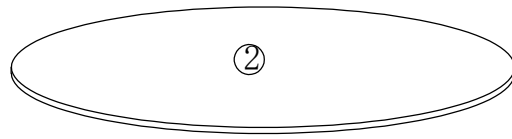


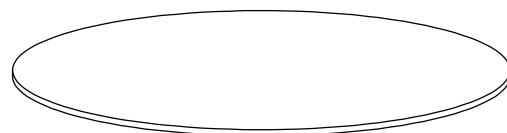
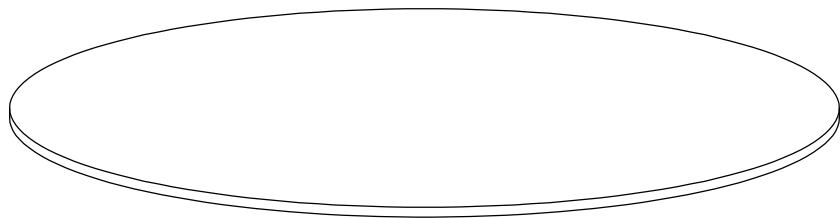
RT146 Assembly Instructions



NOTE: Don't fully tighten the screws until the very end. Once you have fully assembled the cart, then proceed to completely tighten all the screws.

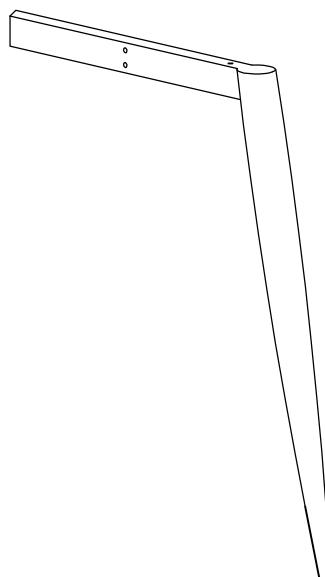
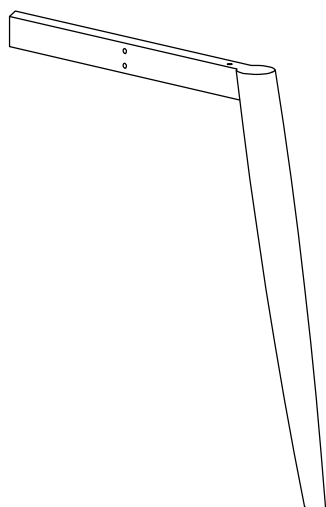


Parts & Hardware List



① 1PC

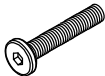
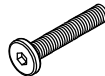

② 1PCS



③ 3PCS

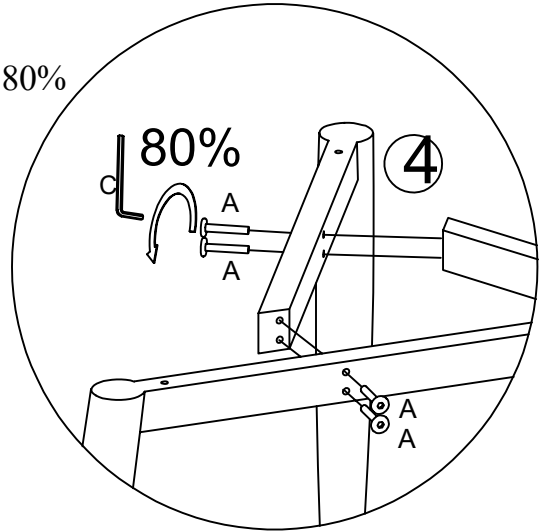
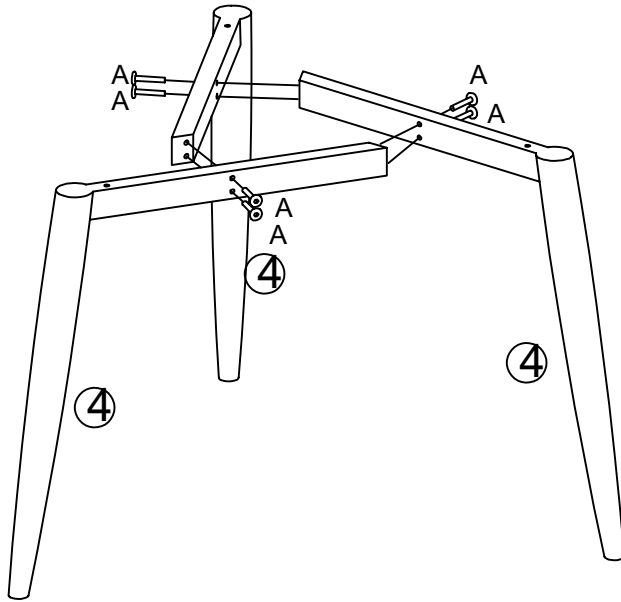
④ 3PCS



Hardware List

A M6x25mm  12PCS	B M6x35mm  6PCS	C 4mm  1PC
--	---	--

3

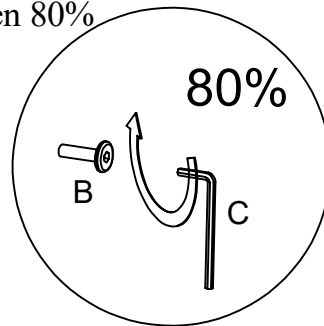
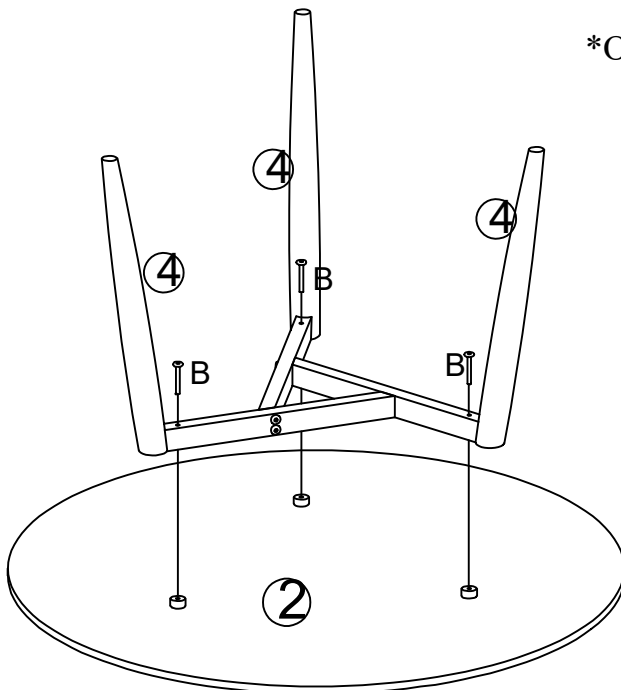
*Only tighten 80%





<p>A</p> <p>M6x25mm</p>  <p>6PCS</p>	<p>C</p> <p>4mm</p>  <p>1PC</p>
---	--

4

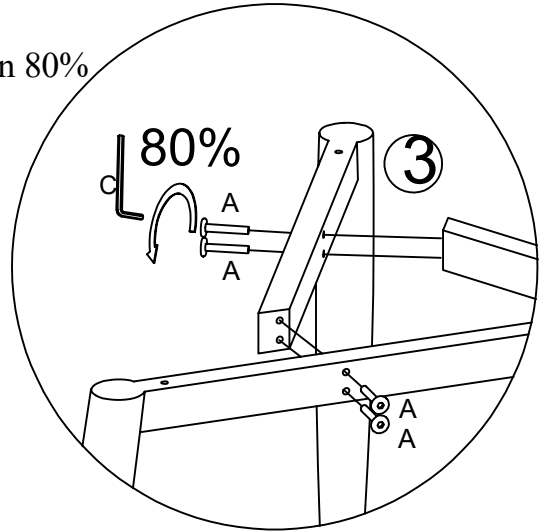
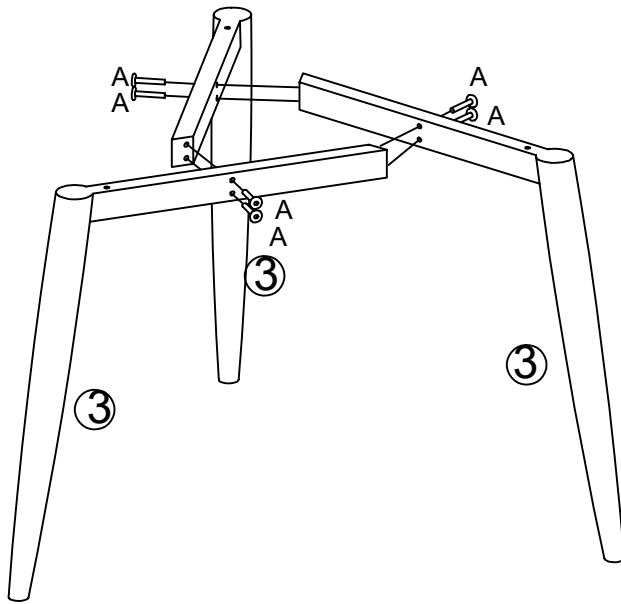
*Only tighten 80%





<p>B</p> <p>M6x35mm</p>  <p>3PCS</p>	<p>C</p> <p>4mm</p>  <p>1PC</p>
---	--

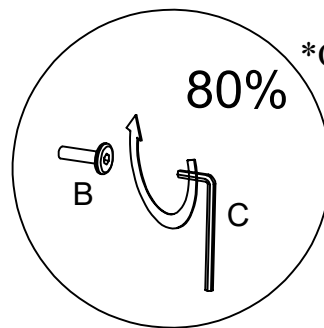
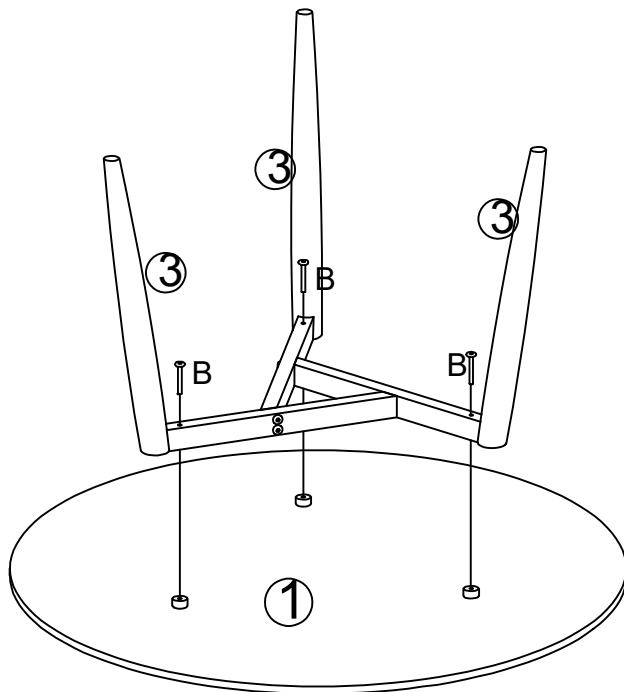
①

*Only tighten 80%





<p>A</p> <p>M6x25mm</p>  <p>6PCS</p>	<p>C</p> <p>4mm</p>  <p>1PC</p>
---	--

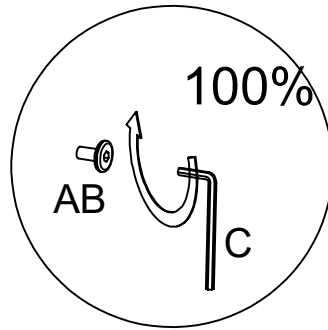
②



*Only tighten 80%

<p>B</p> <p>M6x35mm</p>  <p>3PCS</p>	<p>C</p> <p>4mm</p>  <p>1PC</p>
---	--

3



*ALL screws tighten fully.100%

