



Liberty Furniture
INDUSTRIES, INC

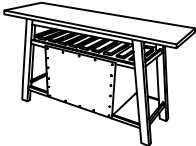
LIBERTY FURNITURE


ASSEMBLY INSTRUCTION

ITEM # : 116-SR6033

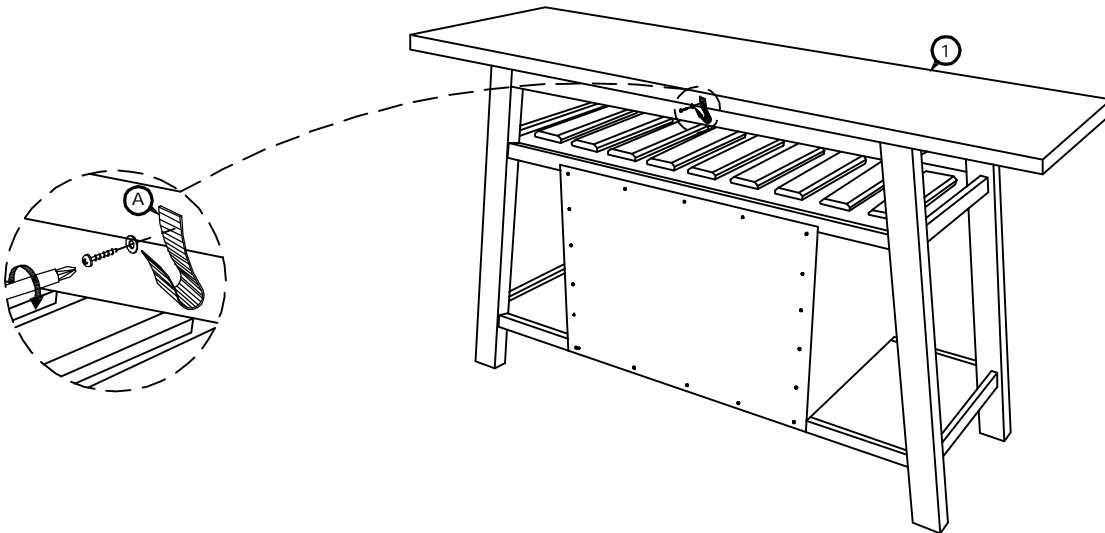
DESCRIPTION : SERVER

Thank you for purchasing this product. Be sure to check all packing material carefully for small parts which may have come loose inside the carton during shipment. Identify and count all parts and compare with the parts list below:

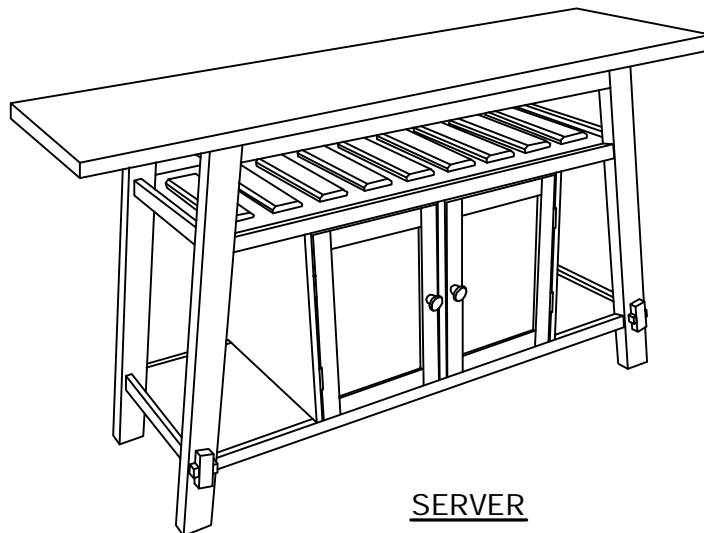
116-SR6033 : Component List			
NO.	Descriptions		Qty.
1	Server		1

Assembly Hardware Pack			
NO.	Descriptions		Qty.
A	Anti Tip Kits		1

STEP 1:



STEP 2:



ASSEMBLY TIPS:

1. Remove hardware from box end sort by size.
2. Please check to see that all hardware and parts are present prior start of assembly.
3. Please follow attached instructions in the same sequence as numbered to assure fast and easy assembly.

WARNING!

1. Don't attempt to repair or modify parts that are broken or defective. Please contact the store immediately.
2. This product is for home use only and not intended for commercial establishments.



Liberty Furniture
INDUSTRIES, INC

LIBERTY FURNITURE

ASSEMBLY INSTRUCTION

ITEM # : 116-SR6033

DESCRIPTION : SERVER

Thank you for purchasing this product. Be sure to check all packing material carefully for small parts which may have come loose inside the carton during shipment. Identify and count all parts and compare with the parts list below:

WARNING!

**FOR YOU & YOUR FAMILY'S SAFETY TO PREVENT
OVERTURNING**

**THIS PRODUCT MUST BE USED WITH THE WALL ATTACHMENT
DEVICE PROVIDED**

Serious or fatal crushing injuries can occur from furniture tipping over.

To help prevent topple over:

- Use the wall attachment device provided
- Never allow children to climb or hang on drawers, doors or shelves
- Place heaviest items in the lower drawers or shelves
- Unless specifically designed to accommodate, do not set TV's or other heavy objects on top of this product
- Never open more than one drawer at a time
- An attachment device is provided with your product, however you will need to source suitable fixings for your wall type. If in doubt, please consult a qualified tradesperson.
- Always ensure the wall to be drilled is free from hidden electrical wires, water and gas pipes.

ASSEMBLY TIPS:

1. Remove hardware from box end sort by size.
2. Please check to see that all hardware and parts are present prior start of assembly.
3. Please follow attached instructions in the same sequence as numbered to assure fast and easy assembly.

WARNING!

1. Don't attempt to repair or modify parts that are broken or defective. Please contact the store immediately.
2. This product is for home use only and not intended for commercial establishments.