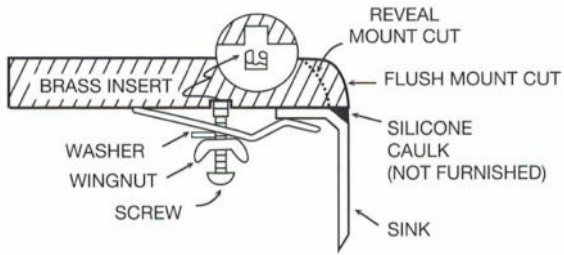


Karran quartz sinks are manufactured from durable quartz composite material that makes them incredibly tough and resilient to even the toughest daily kitchen tasks. They contain 80% natural quartz crystals and 20% high performance acrylic resins. These materials provide high scratch, stain, chip and heat resistance. This stylish undermount design is available in a selection of 6 elegant color choices.

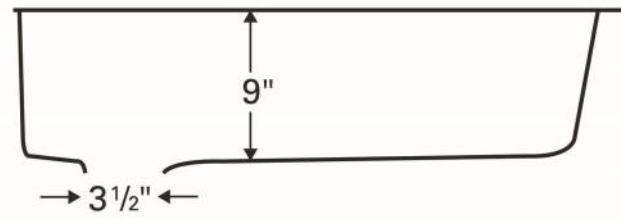
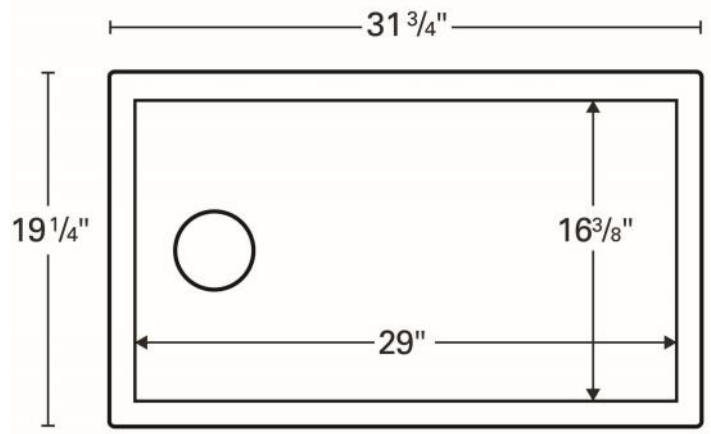
|                                   |   |
|-----------------------------------|---|
| <b>Series:</b>                    | Quartz QU Series  |
| <b>Material:</b>                  | 80% quartz / 20% acrylic resin  |
| <b>Installation Type:</b>         | Undermount  |
| <b>Configuration:</b>             | Large single bowl   |
| <b>Overall dimensions:</b>        | 31-3/4" x 19-1/4"   |
| <b>Bowl dimensions:</b>           | 29" x 16-3/8" x 9"  |
| <b>Drain size:</b>                | 3-1/2"  |
| <b>Min. cabinet size:</b>         | 36"   |
| <b>Min. cabinet size:</b>         | 36"   |
| <b>Template / clips included:</b> | Yes   |
| <b>Accessories included:</b>      | Stainless steel basket strainer, stainless steel bottom grid, Luster Pro cleaning oil |
| <b>Finishes / Colors:</b>         | Bisque, Concrete, White, Black, Grey, Brown   |



**INSTALLATION PROFILE**



Sinks are listed with IAPMO and meet the requirements of the Uniform Plumbing Code, International Plumbing Code and the National Plumbing Code of Canada.



**OPTIONAL ACCESSORIES**

| MODELS      | COLOR    | STRAINER | FLANGE |
|-------------|----------|----------|--------|
| • QU-670-WH | White    | QBSWH    | QDFWH  |
| • QU-670-BI | Bisque   | QBSBI    | QDFBI  |
| • QU-670-BL | Black    | QBSBL    | QDFBL  |
| • QU-670-BR | Brown    | QBSBR    | QDFBR  |
| • QU-670-CN | Concrete | QBSCN    | QDFCN  |
| • QU-670-GR | Grey     | QBSGR    | QDFGR  |

We reserve the right to update product specifications without notice. Please visit [karran.com](http://karran.com) for the most current specification sheets. All dimensions are accurate to 1/4". REV 5-2022

**PROJECT INFORMATION**

PROJECT: \_\_\_\_\_

CONTACT: \_\_\_\_\_

DATE: \_\_\_\_\_

NOTES: \_\_\_\_\_

\_\_\_\_\_

\_\_\_\_\_

**APPROVAL:**