

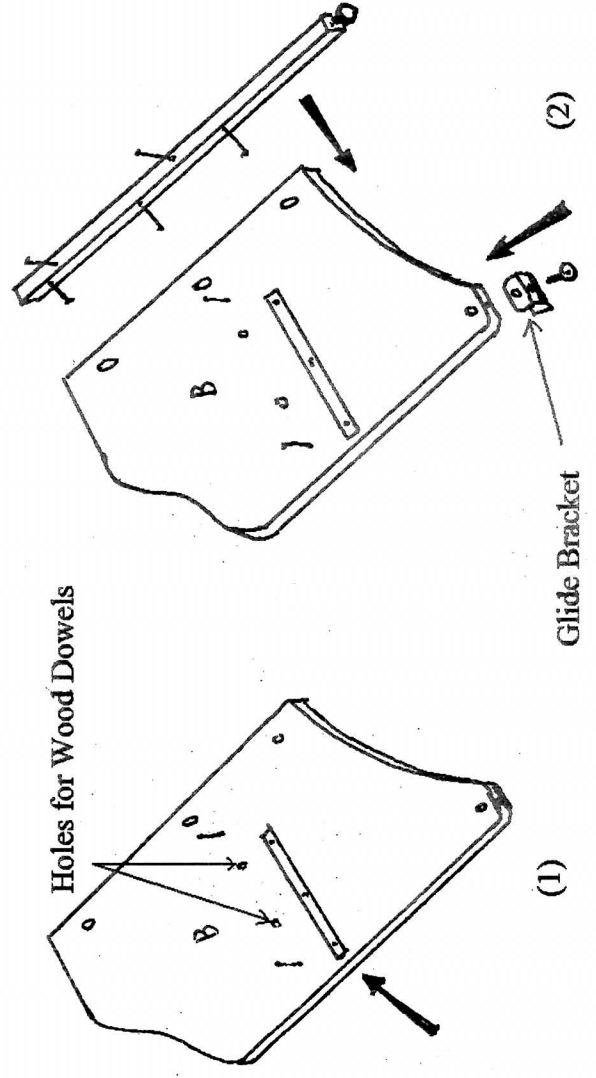
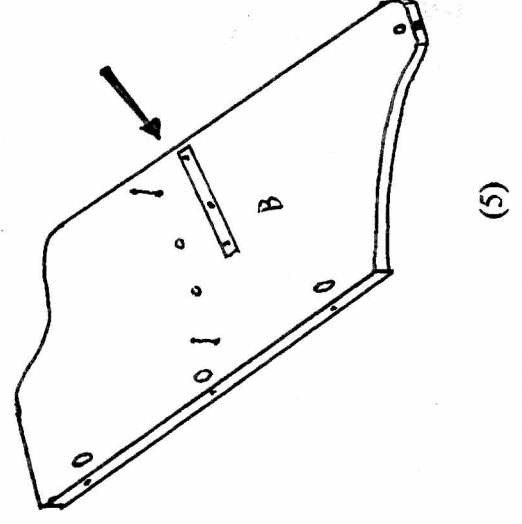
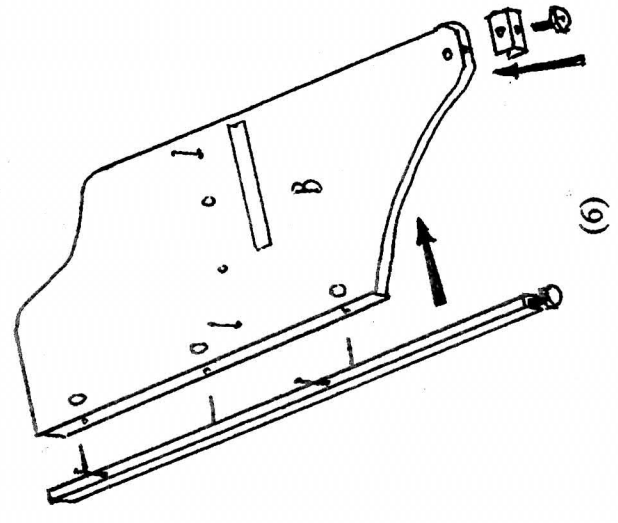
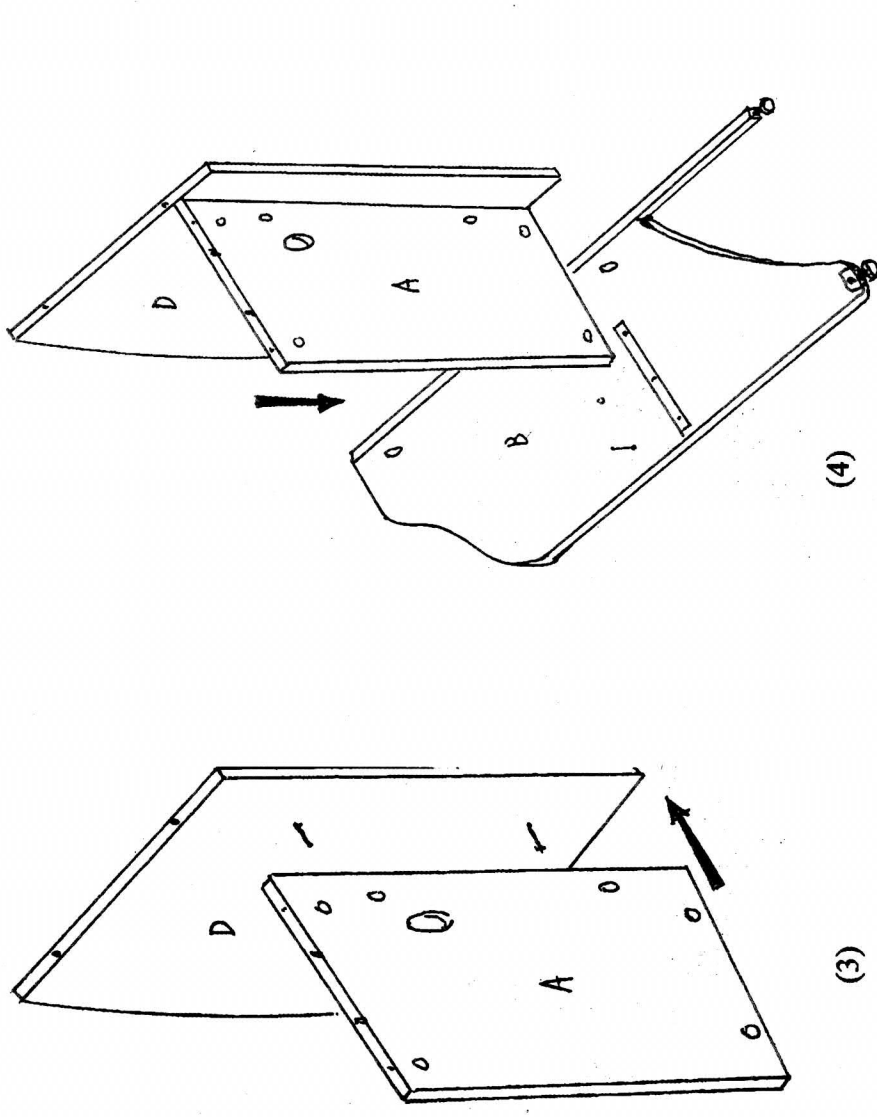
ADD-ON STUDY CARREL

Assembly Instructions

(For Item#: MT-M6202-GY-ADD-GG, MT-M6202-OAK-ADD-GG)

PARTS		HARDWARE BAG	
A—Top Panel	---1 pc	*Cam Locks/Cam Posts	---13 sets
B—Middle Side Panel	---1 pc	*Wood Screws	---10 pcs
D—Back Panel	---1 pc	*Keyboard Slide & Track	---1 set
E—Keyboard Shelf	---1 pc	*Grommet Sleeve & Cap	---1 set
*Center Leg—square steel tube	---1 pc	*Glide Bracket	---1 pc
		*Wood Dowels	---4 pcs
		*Glides	---2 pcs
		*Socket Screw, Threaded Post	---1 each
		*Ganging Brackets	---2 pcs

Attention: Before you start assembling your study carrel, please prepare a soft surface work area on the floor. The only tool you will need is a screwdriver. Carefully remove all hardware from packaging and place the hardware parts on the soft work area where they will not come in contact with the laminated wood components. To avoid damage to the laminated wood surfaces, keep hardware parts separated until they are needed for assembly.



Glide Bracket