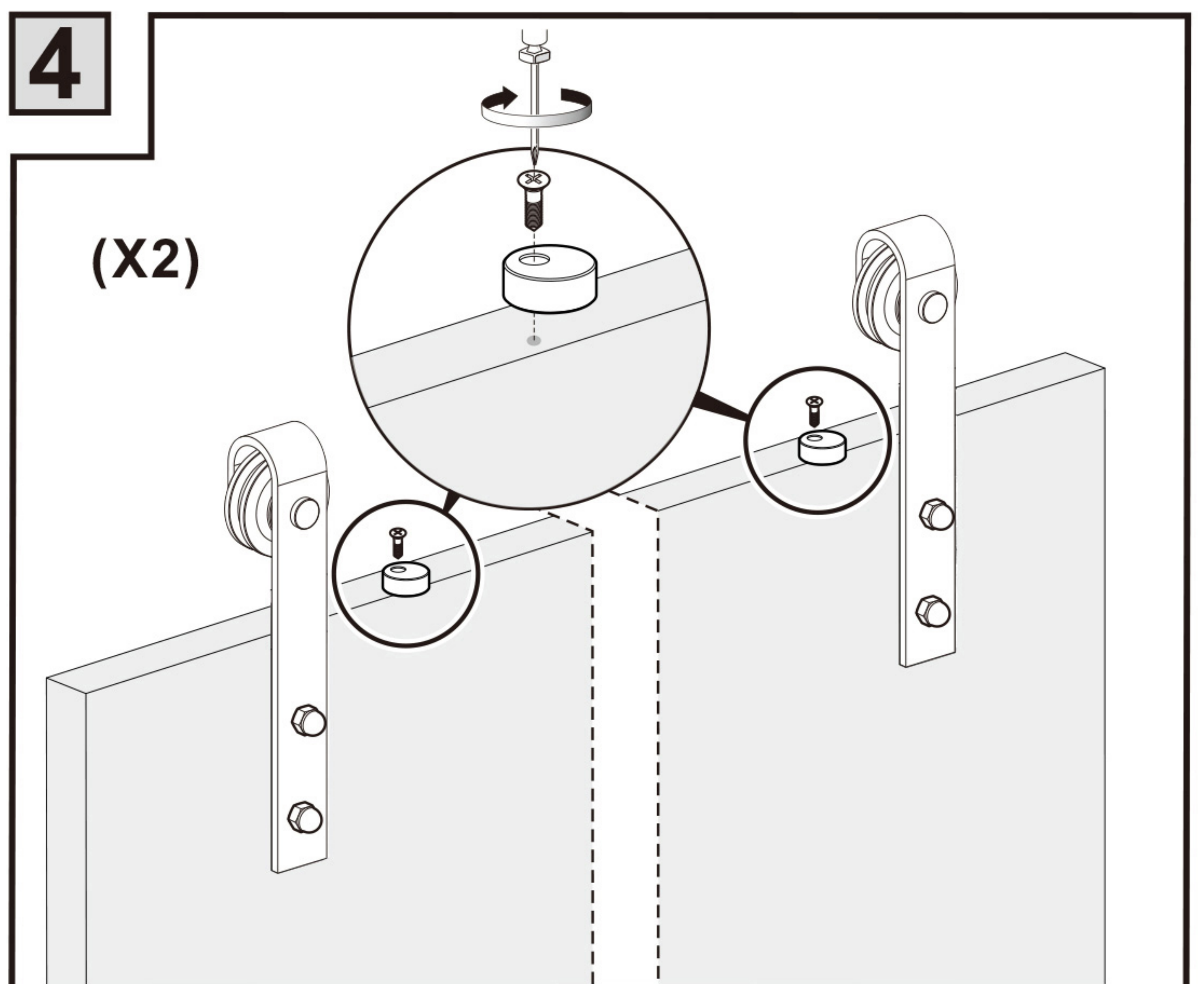
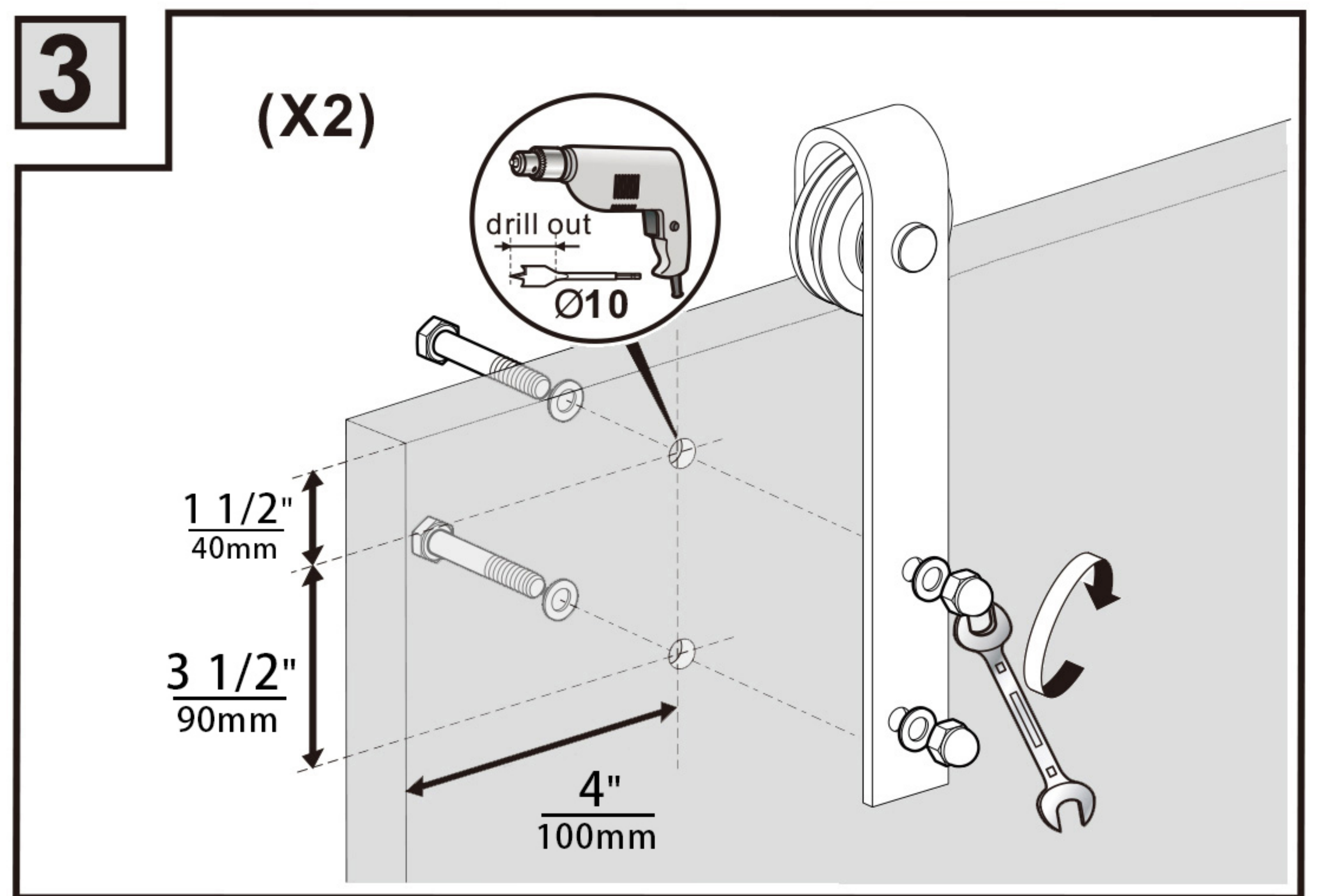
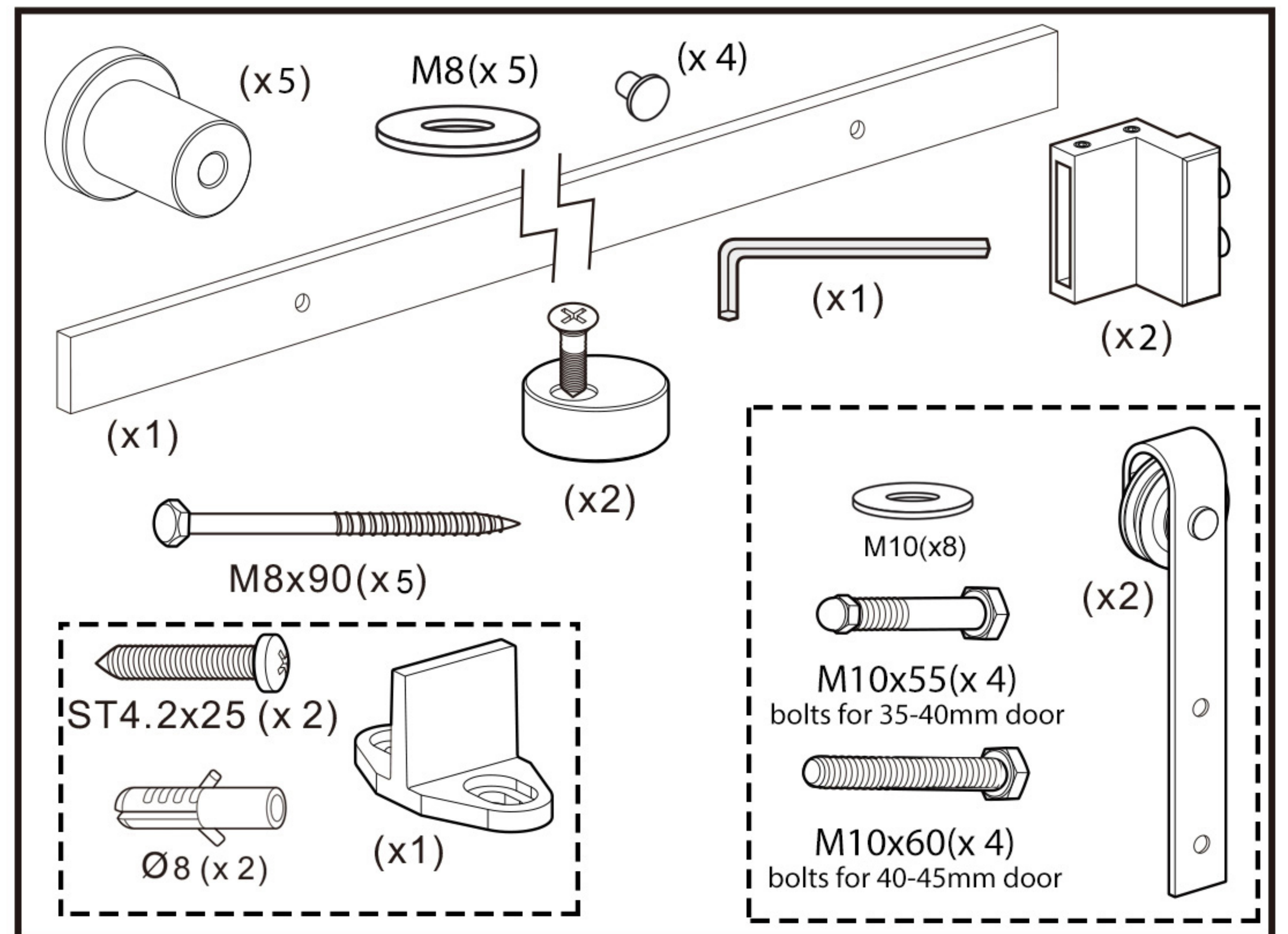
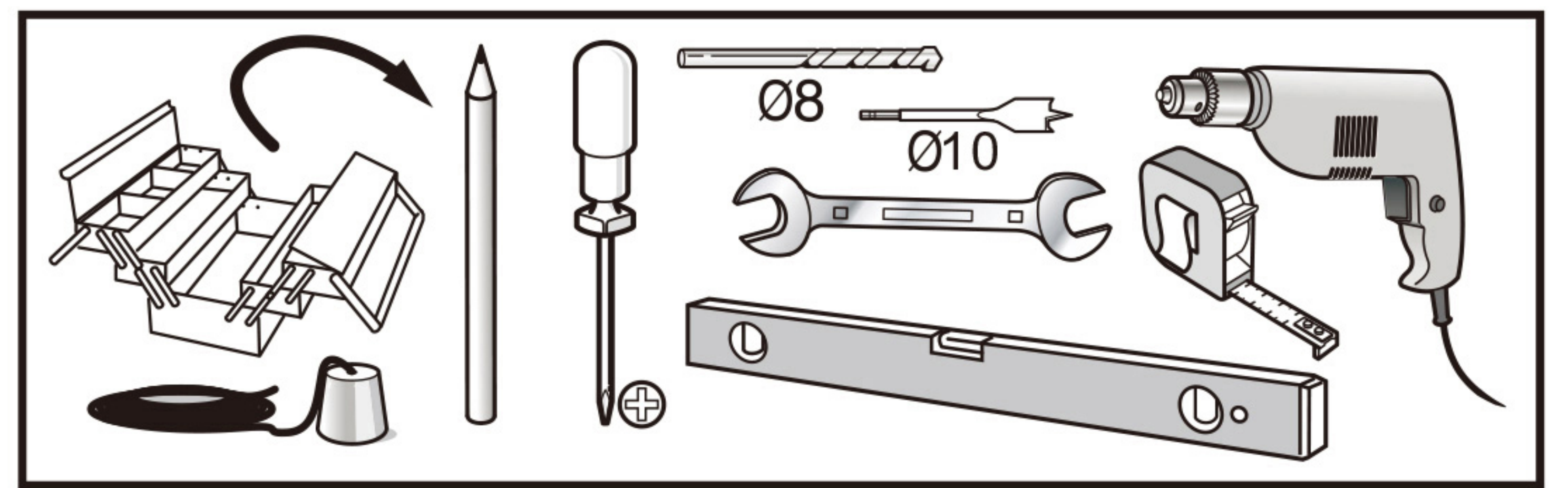
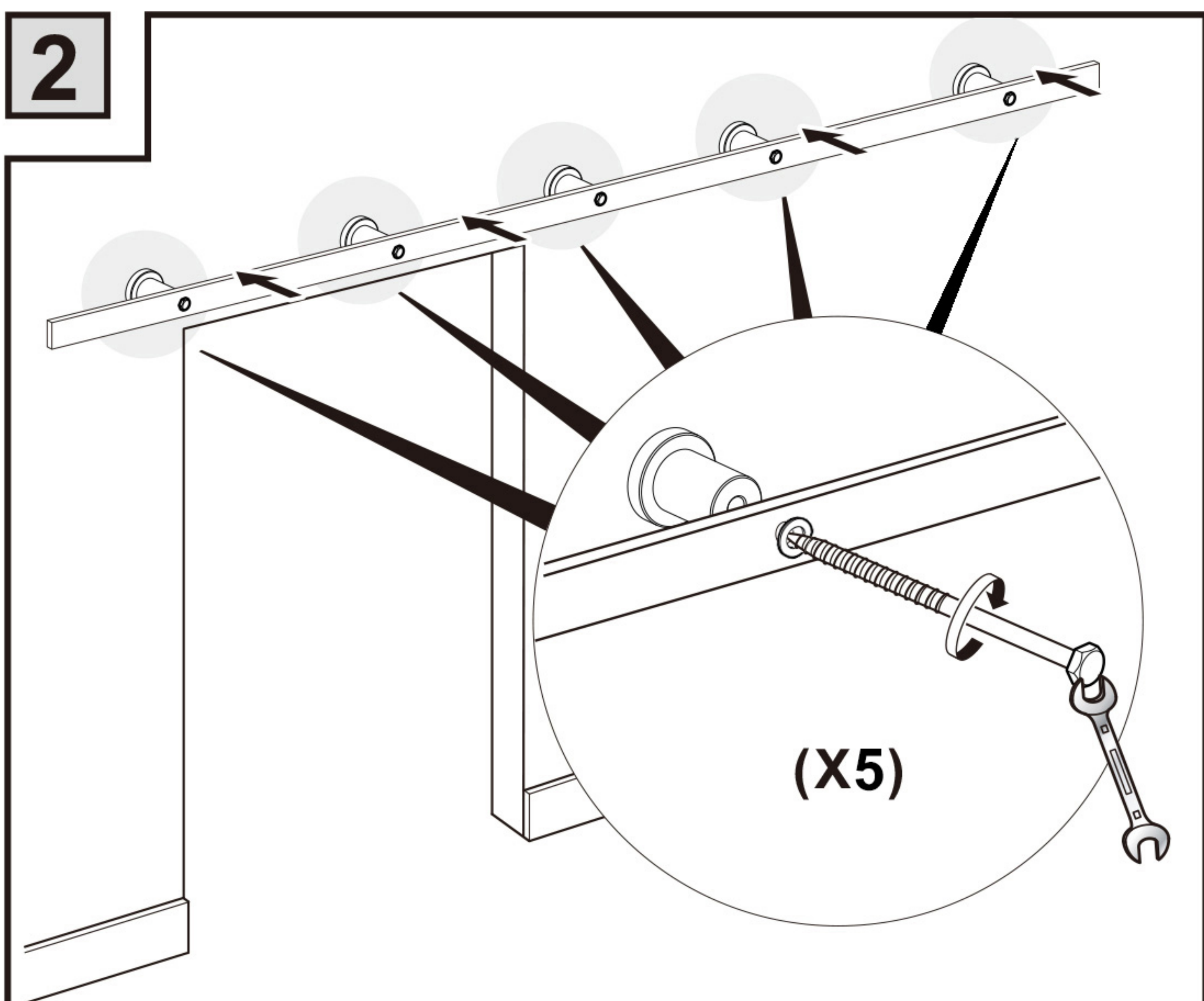
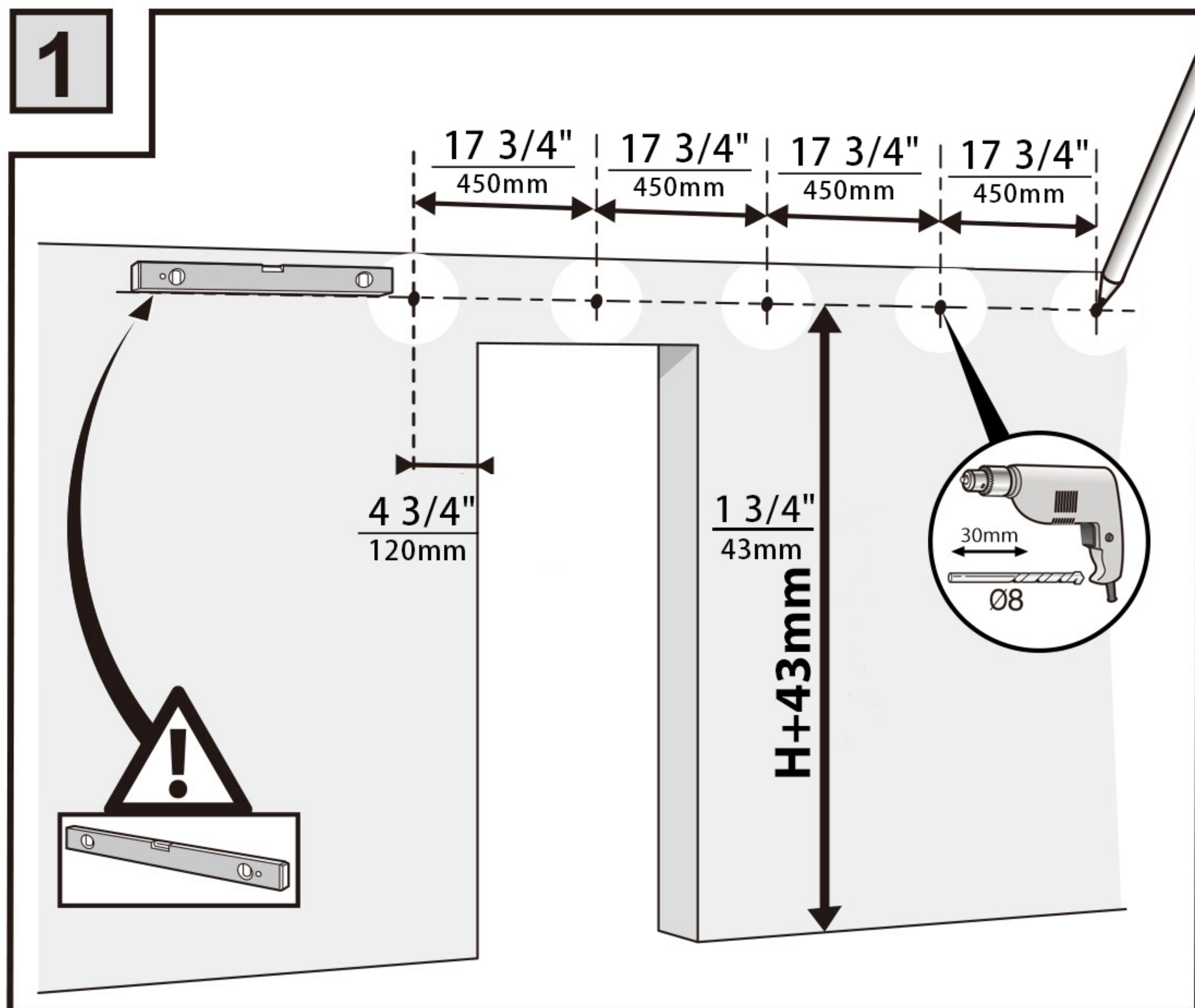
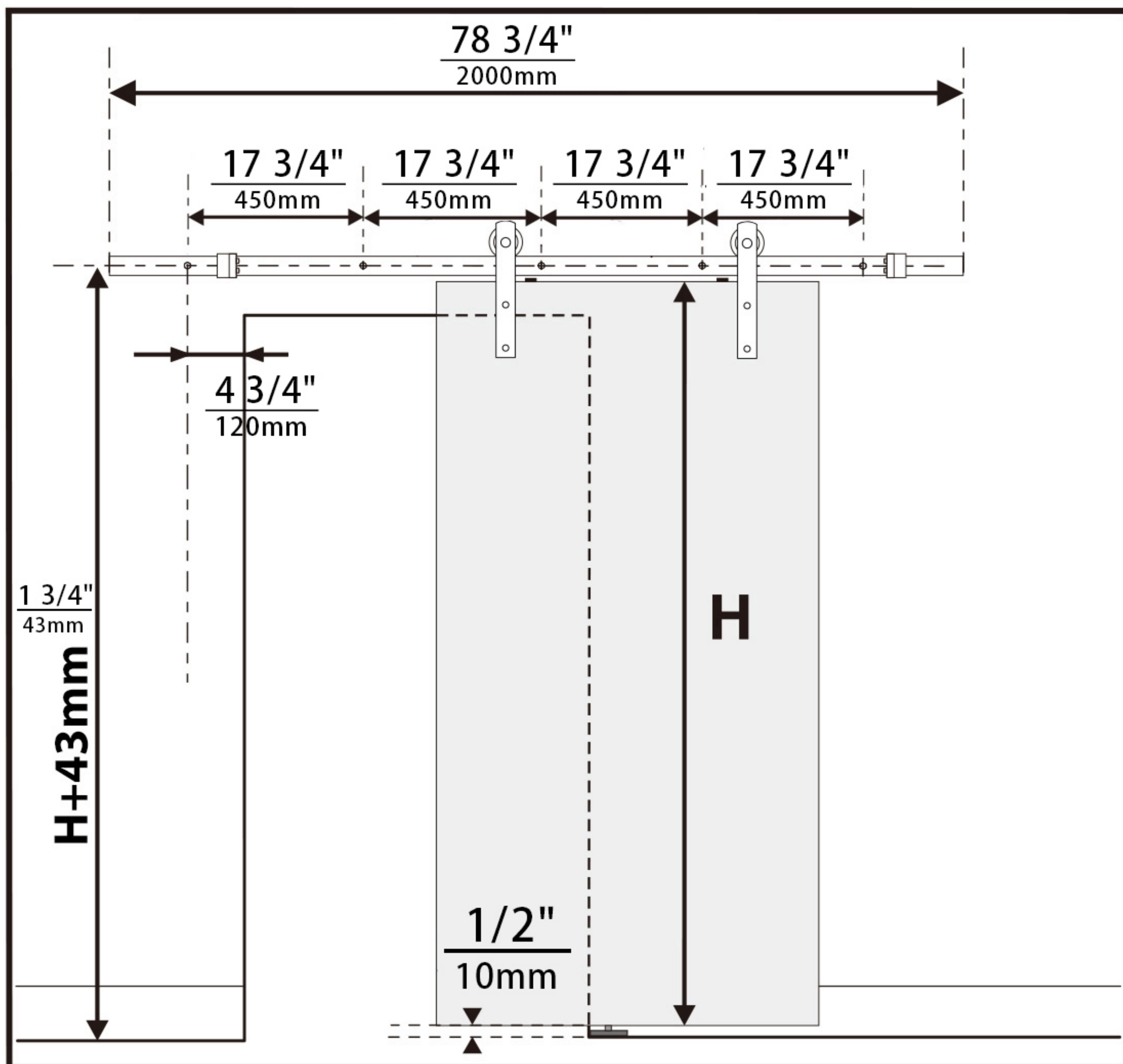
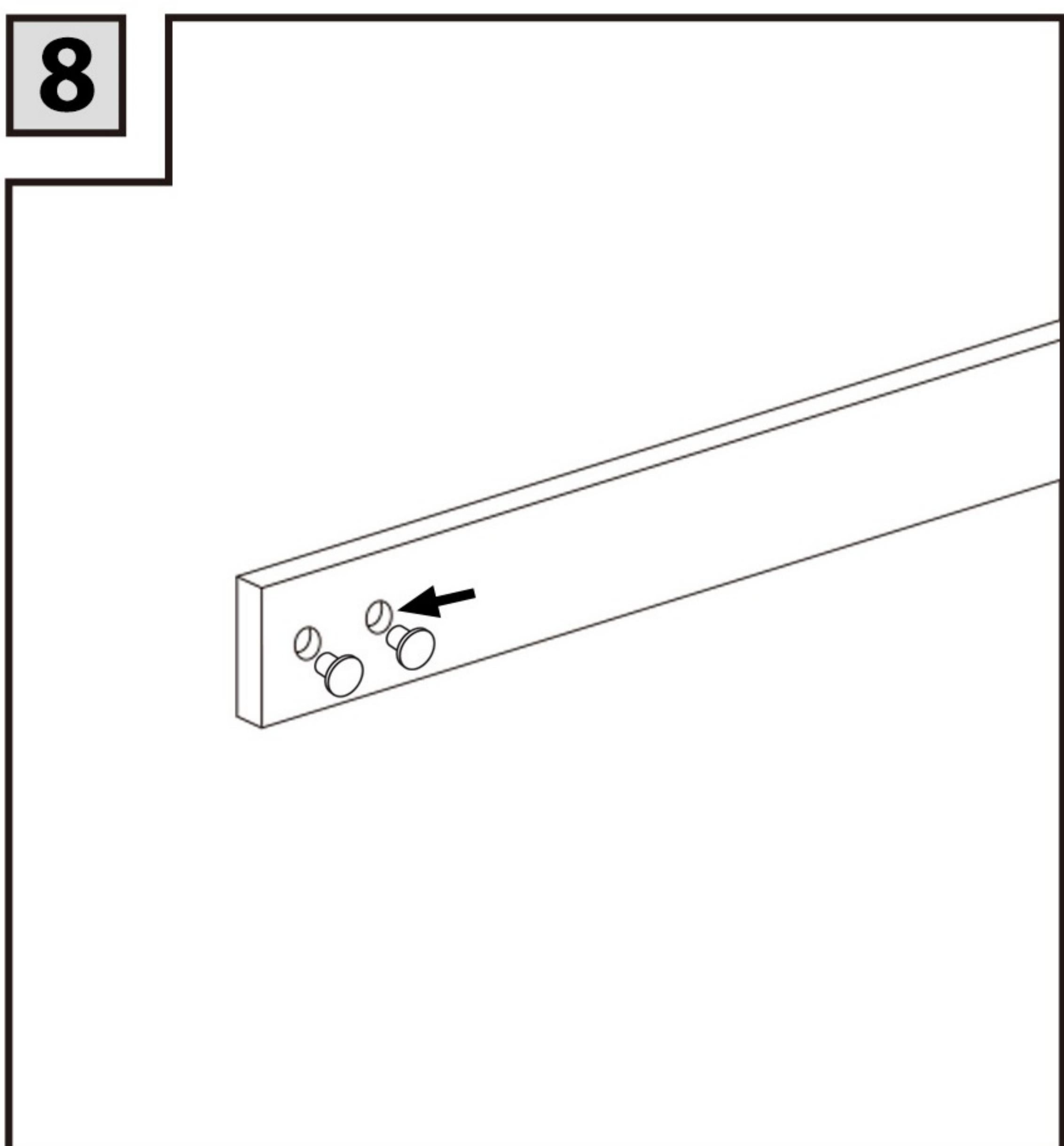
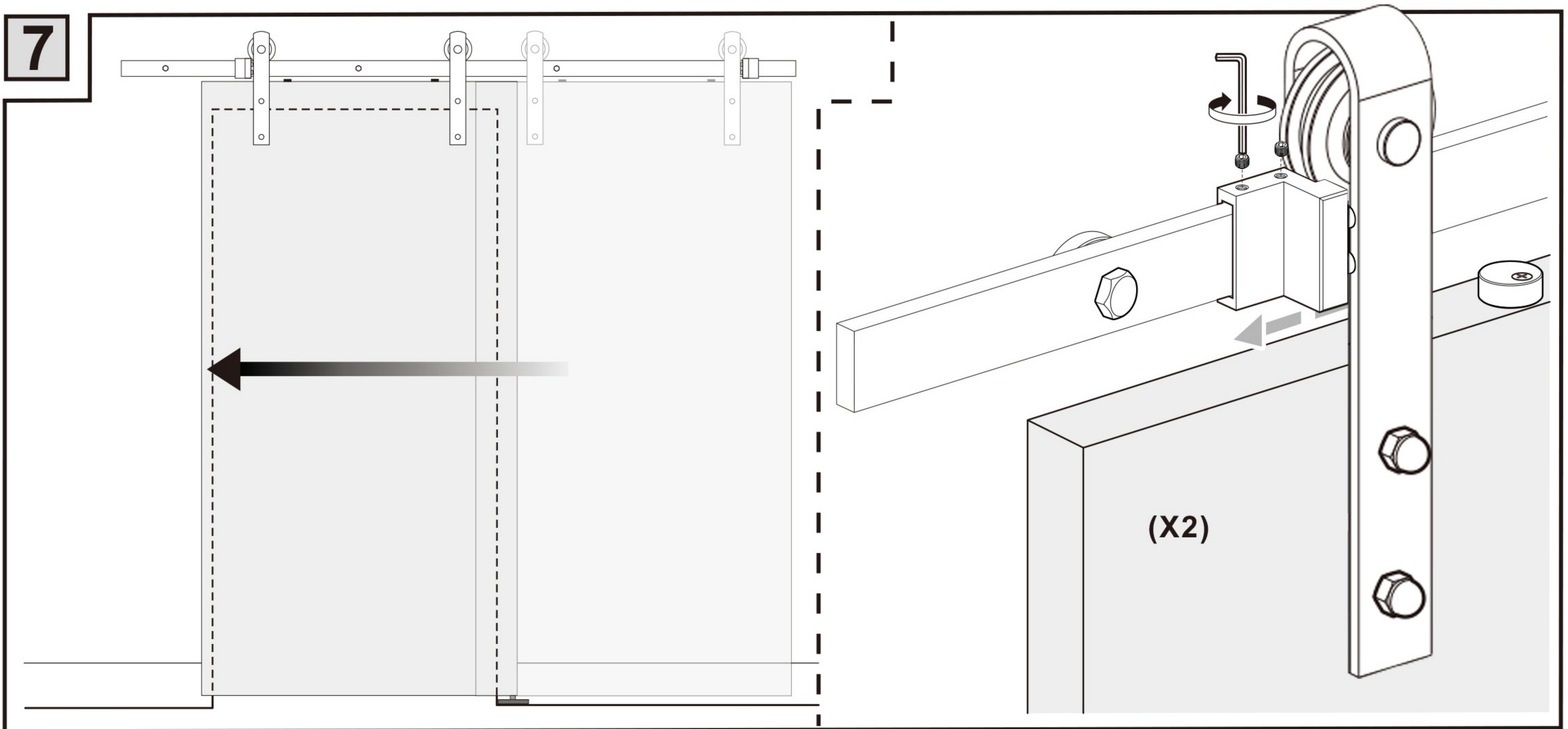
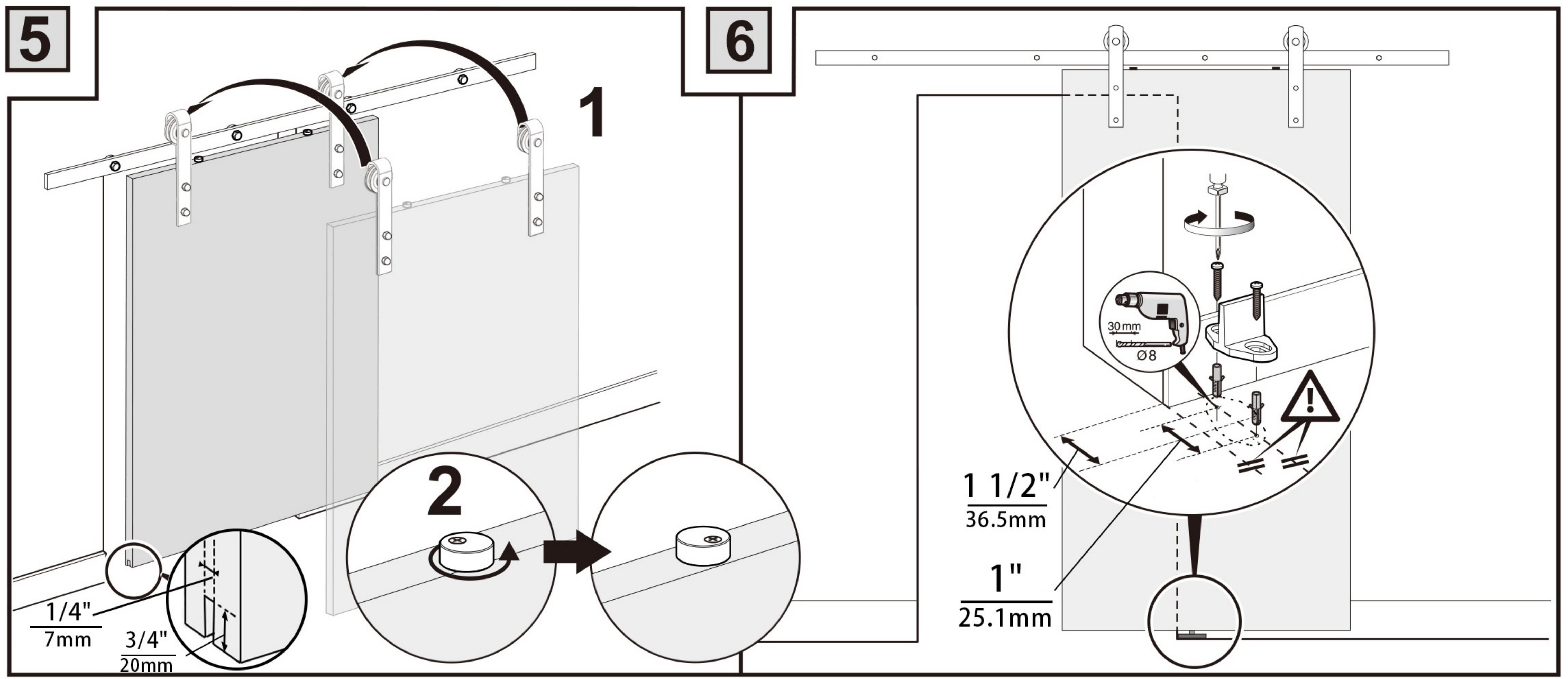


SWD11 6.6FT Sliding Door Hardware Installation Manual

Email: service@t-motorsports.com





NOTE: Connector is only included if you purchase 13 ft (double door) sliding door hardware, it is NOT included if you purchase only one set.