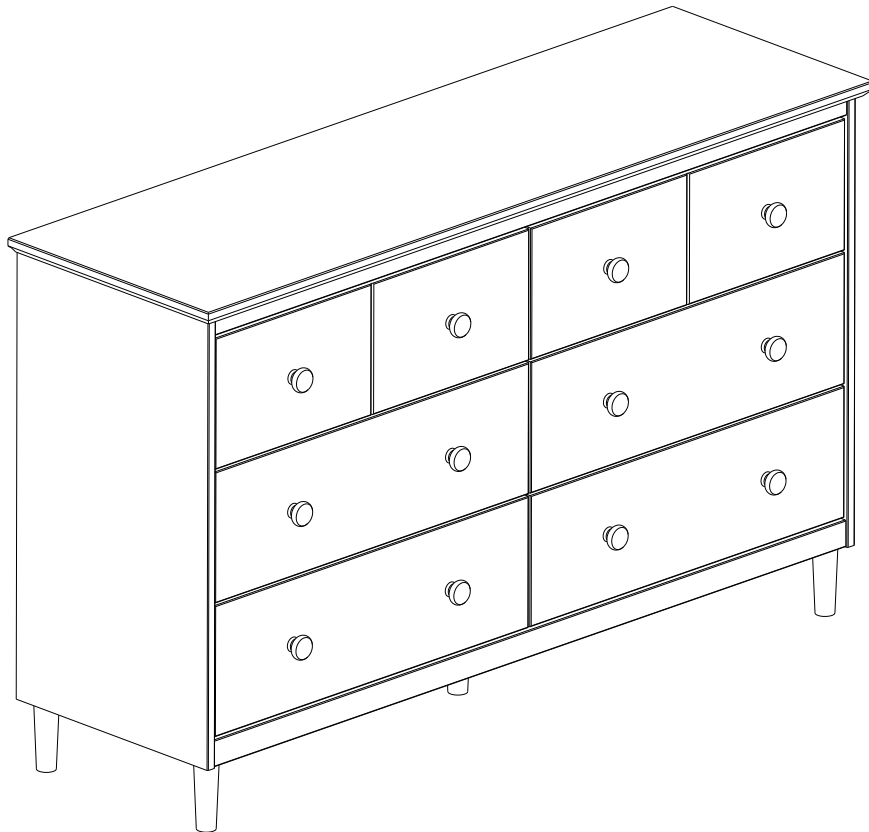


**W** Walker  
**E** Edison  
furniture company

Item # : BR6DDDR  
Assembly Instructions



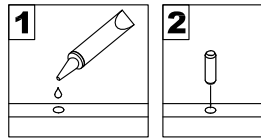
*For the most current instructions, additional assembly tips, to report damage or request parts, please visit our website at [www.walkerredison.com](http://www.walkerredison.com).*

Keep these instructions for future reference.

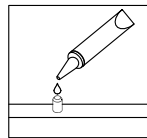
Revised 03/2018

# General Assembly Guidelines

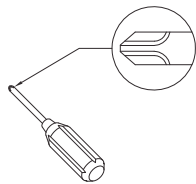
- I. Ensure that all parts and hardware are available before beginning assembly.
- II. Follow each step carefully to ensure the proper assembly of this product.
- III. Two people are recommended for ease in the assembly of this product.
- IV. The three main types of hardware used to assemble this product are wood dowels, screws and bolts.
- V. The provided glue is to secure wood dowels in place . When first inserting dowels , locate the appropriate hole for the dowel , place a small amount of glue in the hole and insert the dowel . Wipe away excess glue immediately.



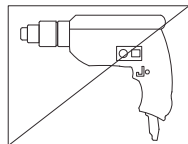
In future assembly steps when dowels are necessary to attach assembly parts together , place a small amount of glue on the end of the dowel before attaching parts together . Wipe away excess glue immediately.



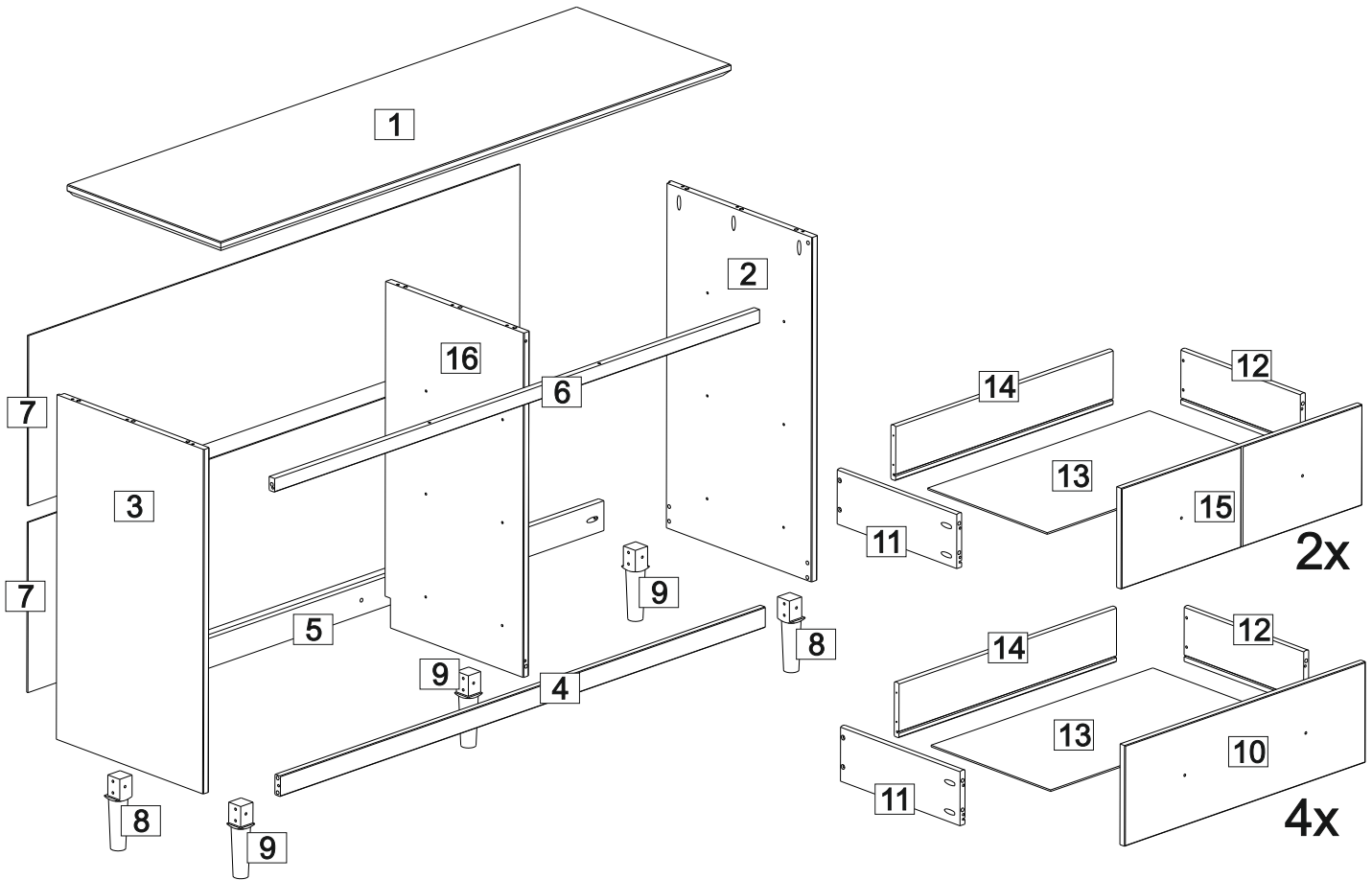
- VI. A Phillips head screwdriver is required for the assembly of this product.



- VII. Power tools should not be used to assemble this product.



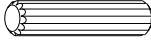





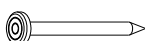
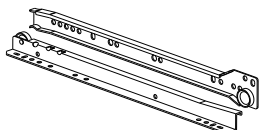
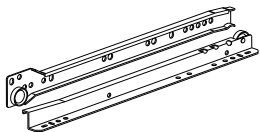

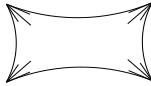



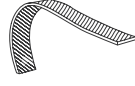



# Parts List

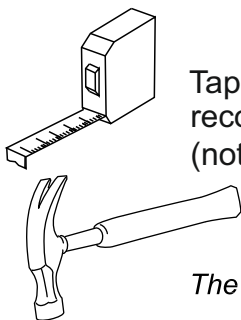


|   |                        |        |
|---|------------------------|--------|
| 1 | Top panel              | 01 pcs |
| 2 | Right side panel       | 01 pcs |
| 3 | Left side panel        | 01 pcs |
| 4 | Bottom front crossbeam | 01 pcs |
| 5 | Back crossbeam         | 01 pcs |
| 6 | Upper front crossbeam  | 01 pcs |
| 7 | Back panel             | 02 pcs |
| 8 | Right foot             | 02 pcs |

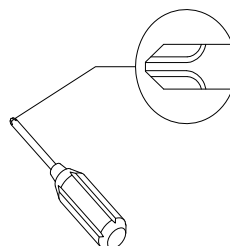
|    |                    |        |
|----|--------------------|--------|
| 9  | Left foot          | 03 pcs |
| 10 | Front drawer       | 04 pcs |
| 11 | Left side drawer   | 06 pcs |
| 12 | Right side drawer  | 06 pcs |
| 13 | Drawer bottom      | 06 pcs |
| 14 | Drawer back        | 06 pcs |
| 15 | Upper front drawer | 02 pcs |
| 16 | Division           | 01 pcs |

# Hardware List

|   |   |           |              |        |
|---|---|-----------|--------------|--------|
| A |    | Ø8*30mm   | Wooden dowel | 45 pcs |
| B |    | Ø3,0*14mm | Screw        | 30 pcs |
| C |    | Ø6,0*10mm | Screw        | 12 pcs |
| D |    | Ø4,0*30mm | Screw        | 70 pcs |
| E |    | M4*22mm   | Screw        | 12 pcs |
| F |    | Ø4,5*45mm | Screw        | 14 pcs |
| G |    | Ø10*10    | Nail         | 36 pcs |
| H |    | 350mm     | Right Slide  | 06 pcs |
| I |    | 350mm     | Left Slide   | 06 pcs |
| J |   |           | Knob         | 12 pcs |
| K |  |           | Glue         | 01 pcs |
| L |  | 1374mm    | "H" Profile  | 01 pc  |
| M |  | Ø6,0*20mm | Screw        | 12 pcs |
| N |  | Ø15*10mm  | Spacer Slide | 18 pcs |
| O |  |           | Wall anchor  | 01 pc  |
| P |  |           | Washer       | 02 pc  |
| Q |  |           | Ø6mm         | 01 pc  |
| R |  | Ø3,0*20mm | Screw        | 06 pcs |



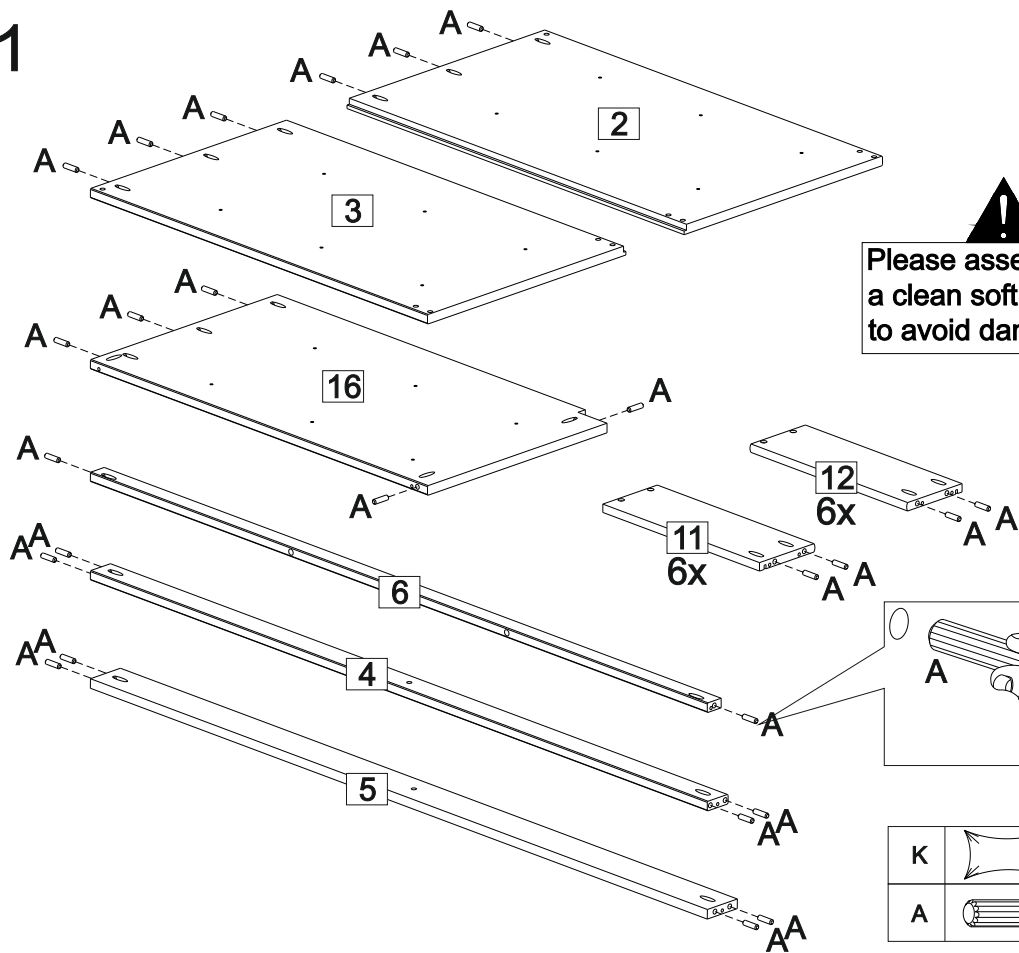
Tape measure and hammer recommended for assembly (not included)





Philips head screwdriver required for assembly (not included)

The hardware quantities listed above are required for proper assembly. Some extra hardware may also have been included.

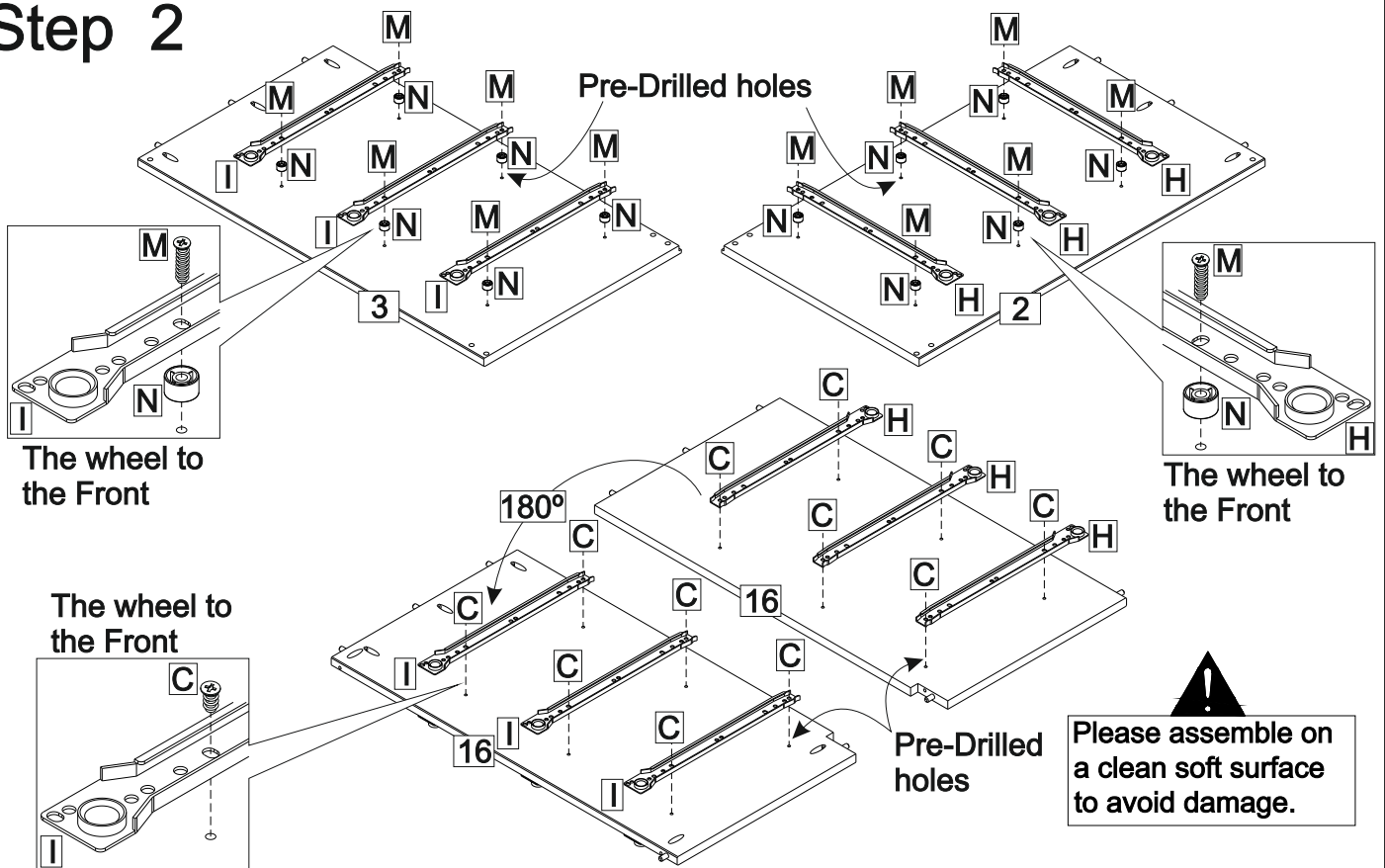
# Step 1





! Please assemble on a clean soft surface to avoid damage.

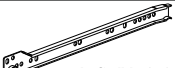
|   |  |           |    |
|---|--|-----------|----|
| K |   | Glue tube | 01 |
| A |  | Ø8*30mm   | 45 |



# Step 2



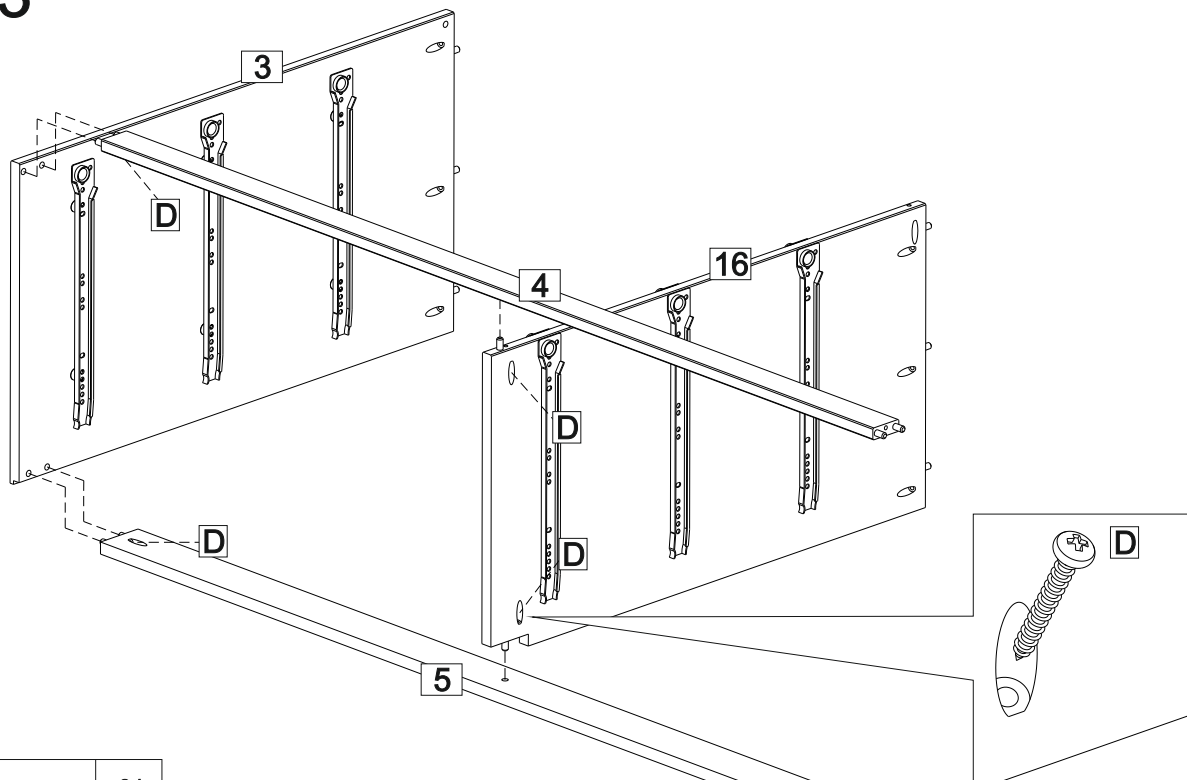
! Please assemble on a clean soft surface to avoid damage.



|   |   |                   |    |
|---|---|-------------------|----|
| C |  | Ø6,0*10mm         | 12 |
| H |  | Right slide 350mm | 06 |

|   |   |                  |    |
|---|---|------------------|----|
| I |  | Left slide 350mm | 06 |
|---|---|------------------|----|

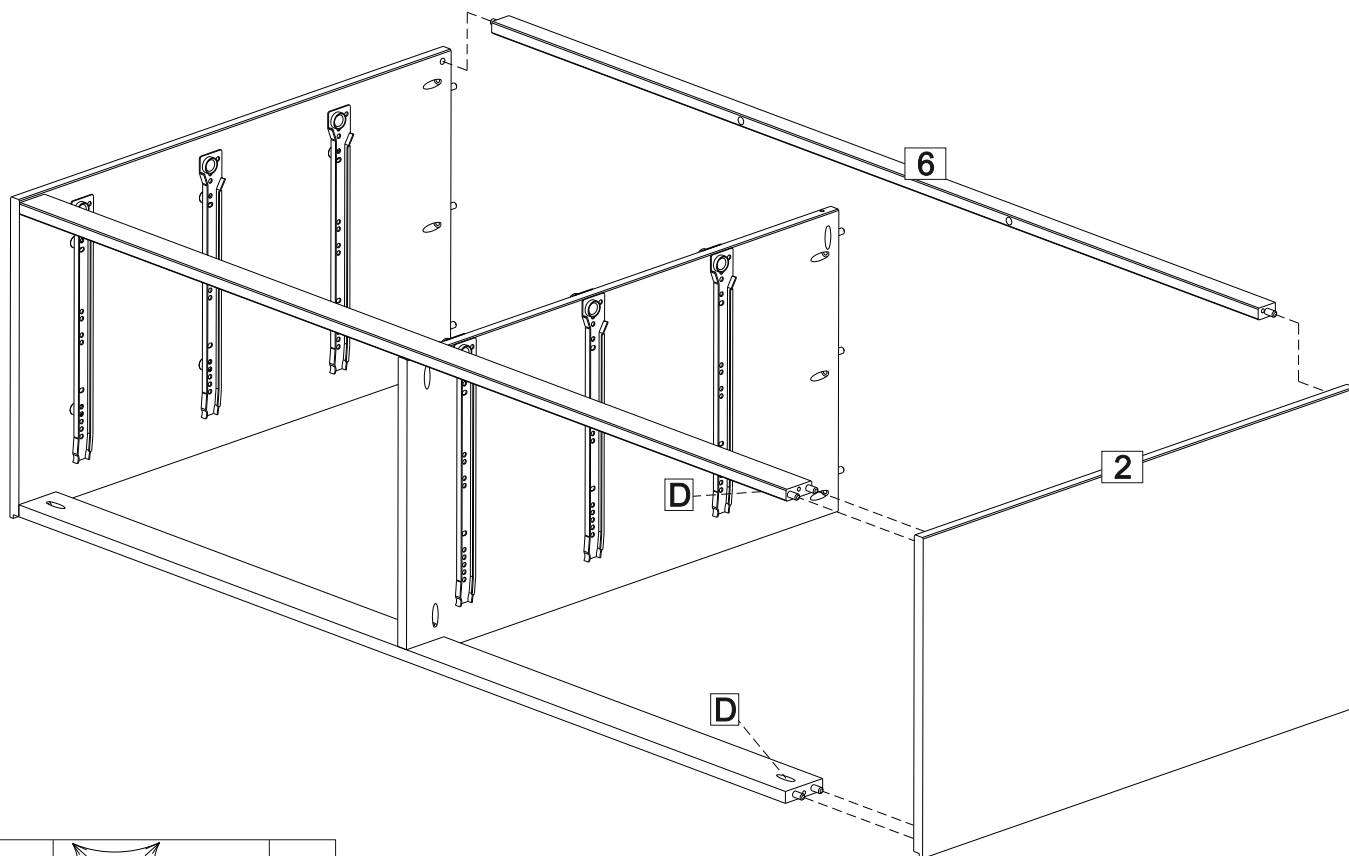
|   |   |           |    |
|---|---|-----------|----|
| M |  | Ø6,0*20mm | 12 |
| N |  | Ø15*10mm  | 12 |



# Step 3



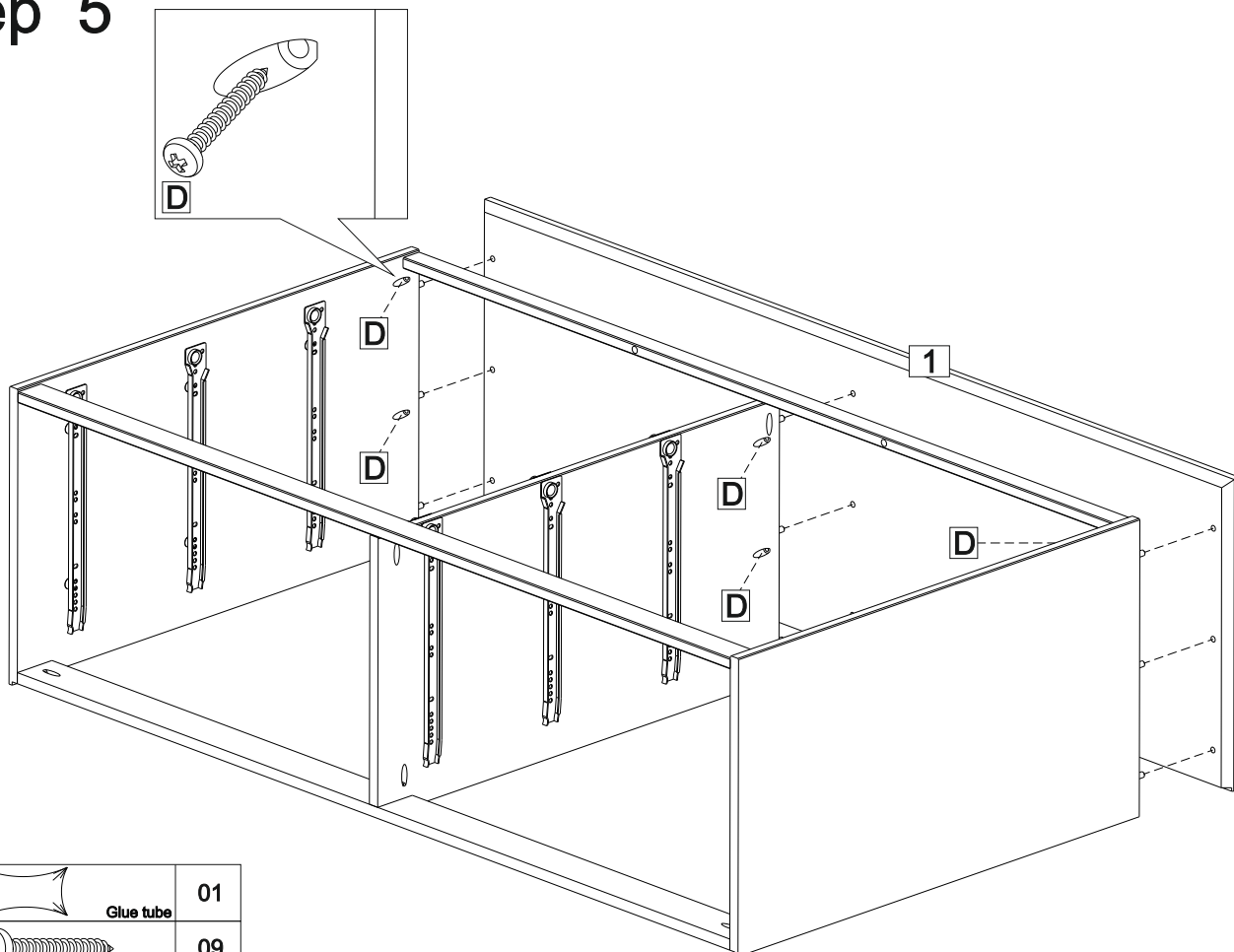
|   |   |           |    |
|---|---|-----------|----|
| K |  | Glue tube | 01 |
| D |  | Ø4,0*30mm | 04 |



# Step 4



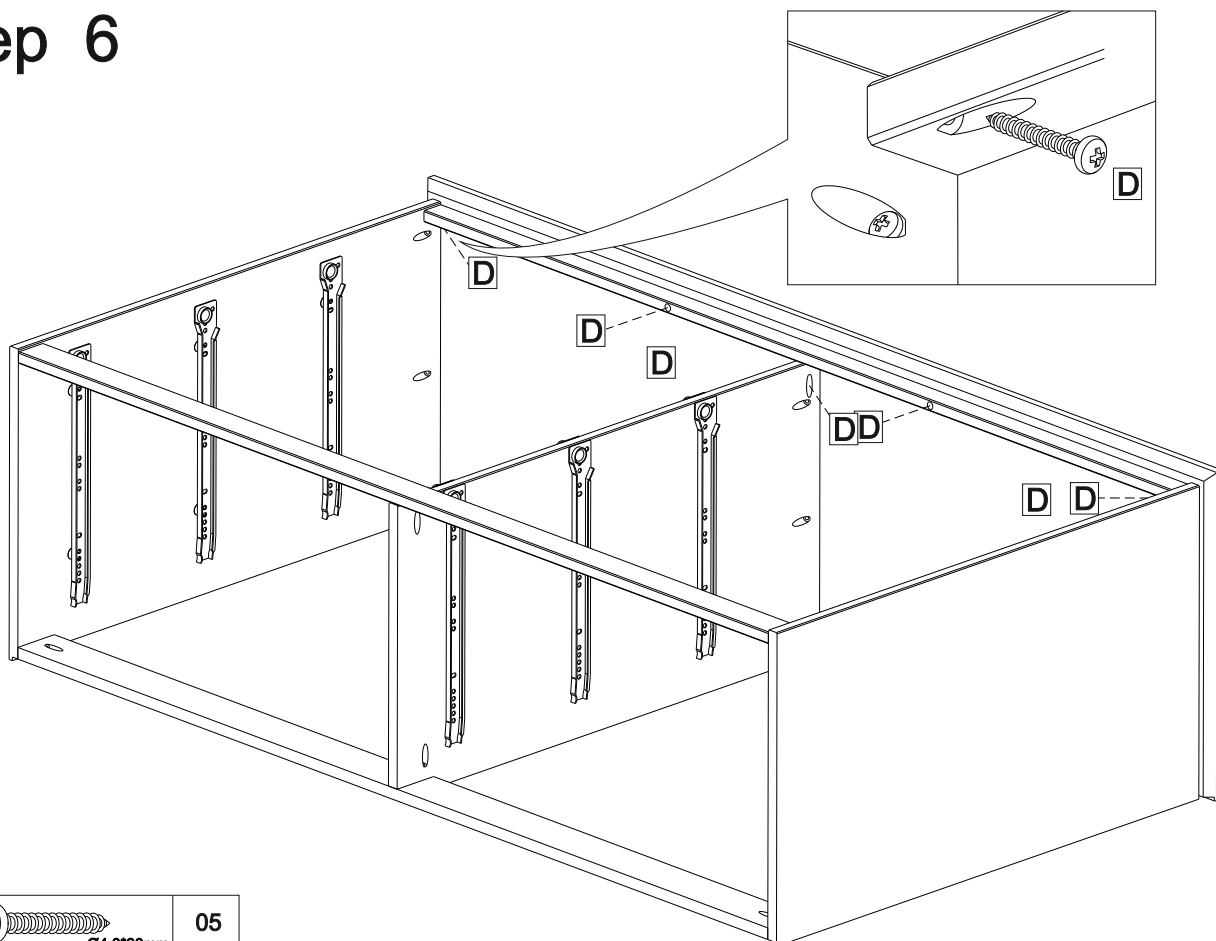
|   |   |           |    |
|---|---|-----------|----|
| K |  | Glue tube | 01 |
| D |  | Ø4,0*30mm | 02 |


# Step 5



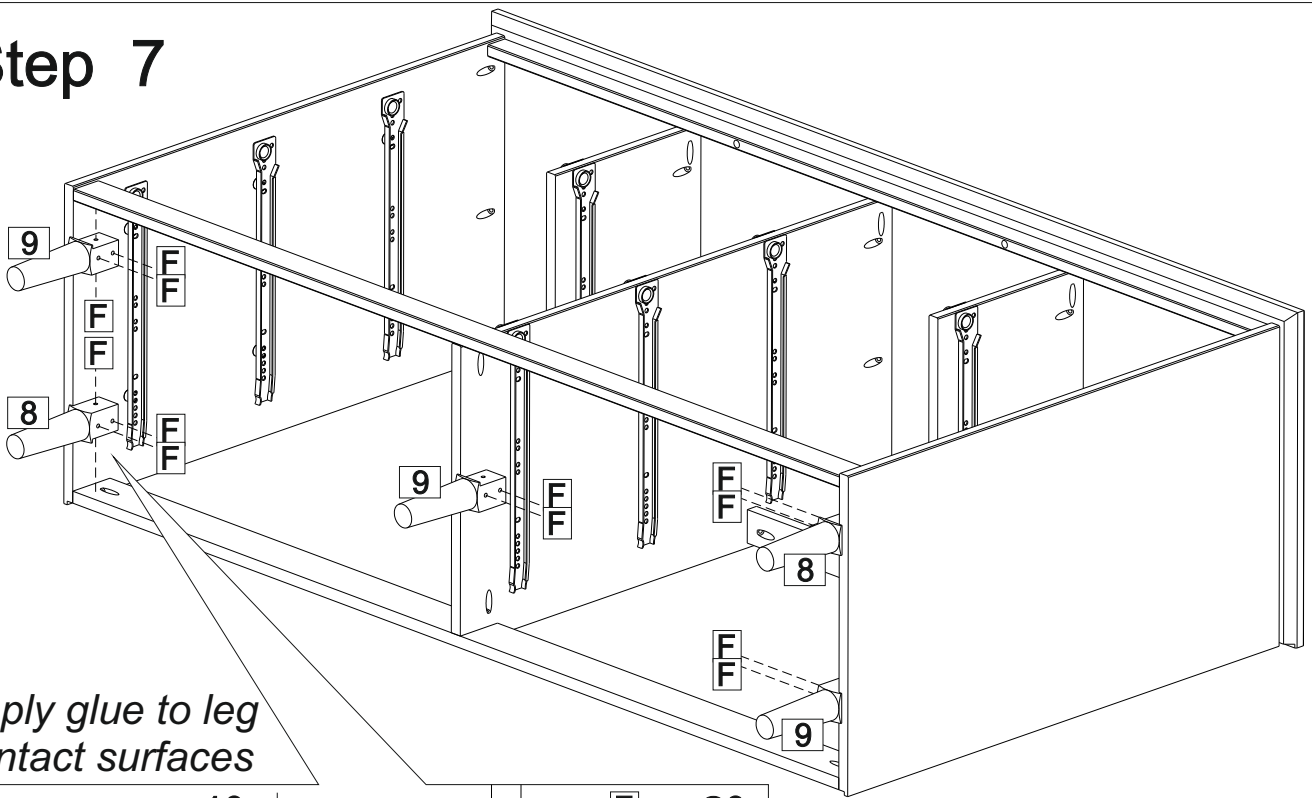
|   |   |           |    |
|---|---|-----------|----|
| K |   | Glue tube | 01 |
| D |  | Ø4,0*30mm | 09 |

# Step 6

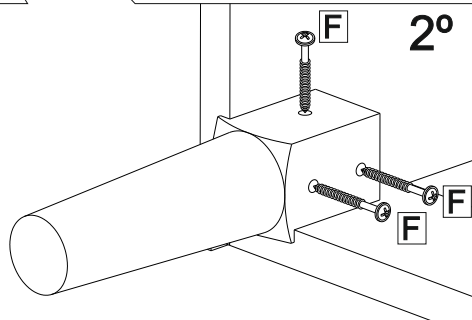
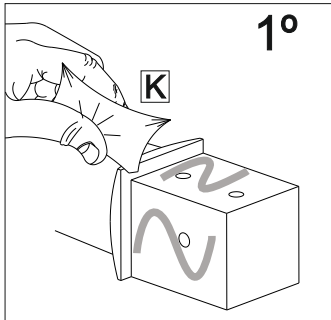




|   |   |           |    |
|---|---|-----------|----|
| D |  | Ø4,0*30mm | 05 |
|---|---|-----------|----|

# Step 7

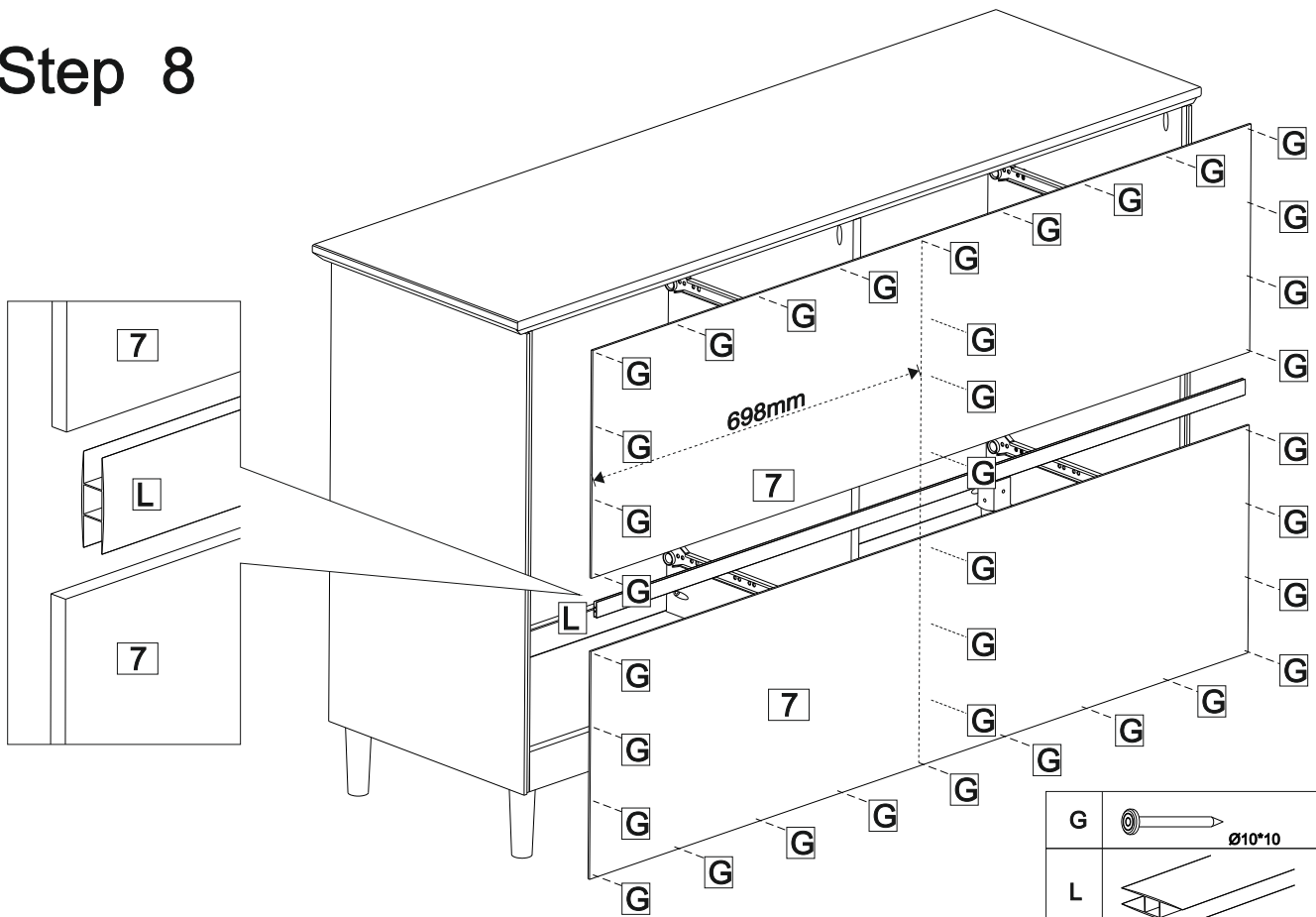


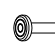
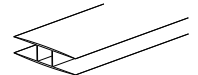
Apply glue to leg contact surfaces



|                                      |   |    |
|--------------------------------------|---|----|
| F                                    |  | 14 |
| $\varnothing 4,5 \times 45\text{mm}$ |   |    |
| K                                    |  | 01 |
| Glue tube                            |   |    |

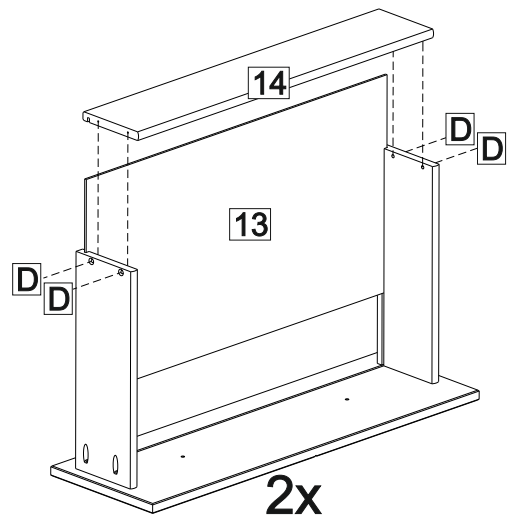
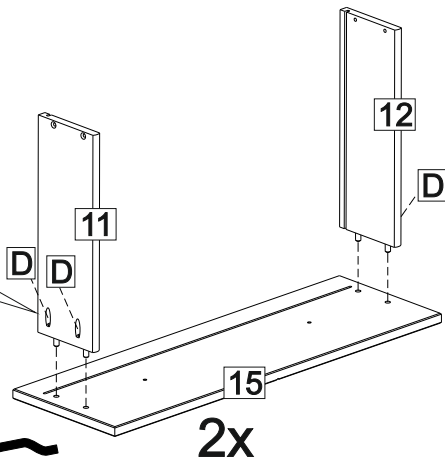
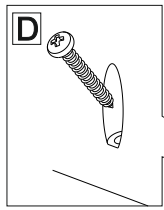
# Step 8



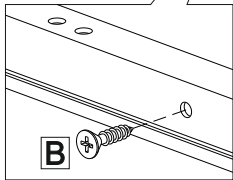
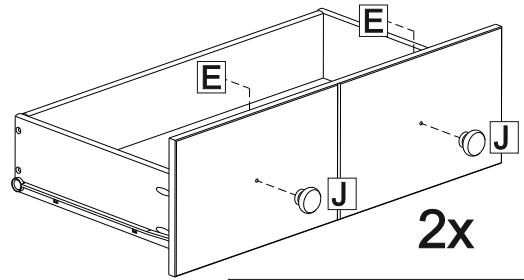
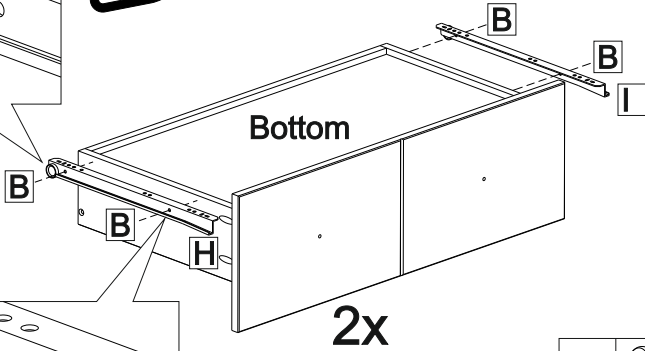
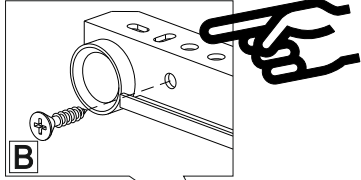
|                            |   |    |
|----------------------------|---|----|
| G                          |  | 36 |
| $\varnothing 10 \times 10$ |   |    |
| L                          |  | 01 |



# Step 9



The wheel to the Back

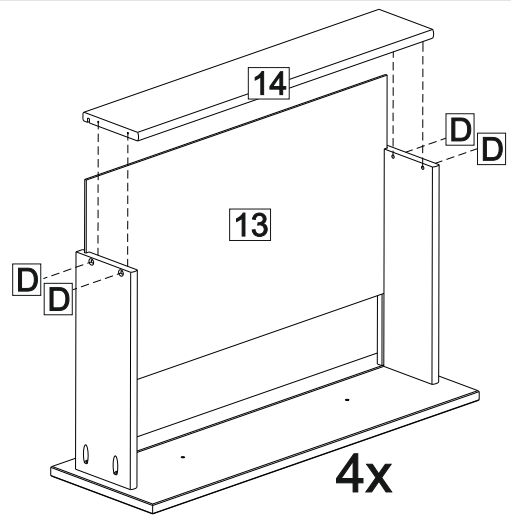
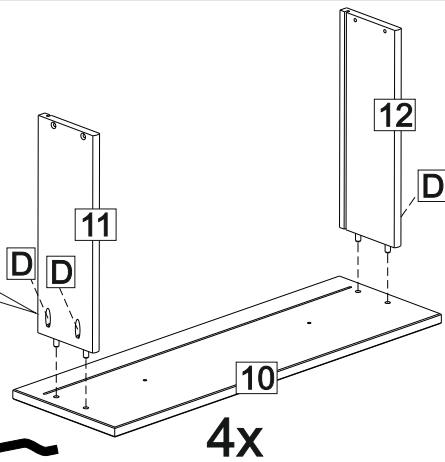
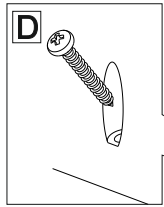


|   |  |           |    |
|---|--|-----------|----|
| B |  | ∅3,0*14mm | 08 |
| D |  | ∅4,0*30mm | 16 |

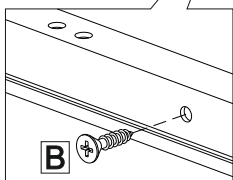
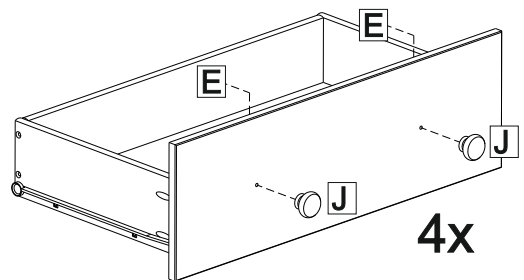
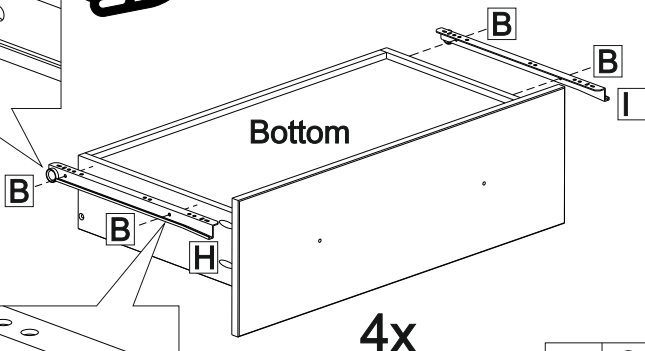
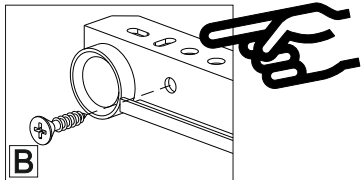
|   |  |                   |    |
|---|--|-------------------|----|
| E |  | M4x22mm           | 04 |
| H |  | Right slide 350mm | 02 |

|   |  |                  |    |
|---|--|------------------|----|
| I |  | Left slide 350mm | 02 |
| J |  |                  | 04 |

# Step 10



The wheel to the Back



|   |  |           |    |
|---|--|-----------|----|
| B |  | ∅3,0*14mm | 16 |
| D |  | ∅4,0*30mm | 32 |

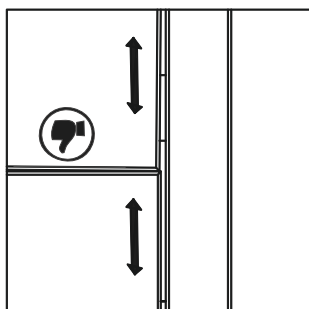
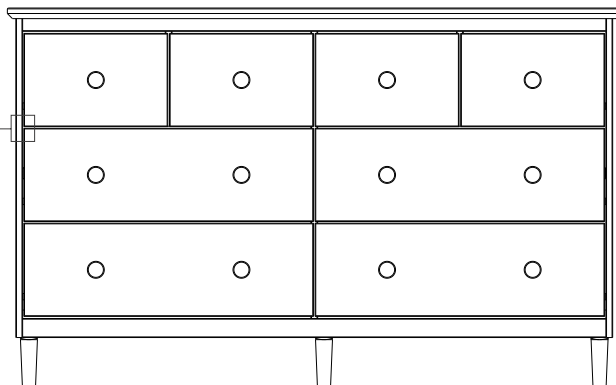
|   |  |                   |    |
|---|--|-------------------|----|
| E |  | M4x22mm           | 08 |
| H |  | Right slide 350mm | 04 |

|   |  |                  |    |
|---|--|------------------|----|
| I |  | Left slide 350mm | 04 |
| J |  |                  | 08 |

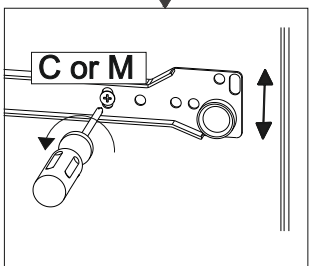
# Step 11



## ADJUST DRAWER ALIGNMENT

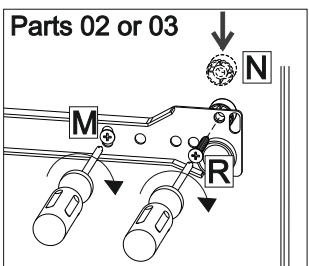


**After completed assembly, it is necessary to adjust the drawer alignment to get the drawers perfectly square.**

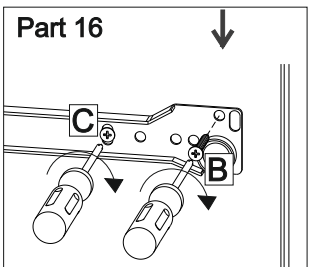


To adjust the drawer front position:

- Loosen the screw (part C or M) you used to install the drawer runner (either parts H or I) in step 2, to the side panel (parts 02 or 03), depending on the side (left or right), or division ( part 16) as shown.
- With the screw (part C or M) loosened, you can make the necessary slight adjustments (up or down) to the drawer runner to achieve the proper drawer alignment.

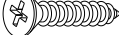




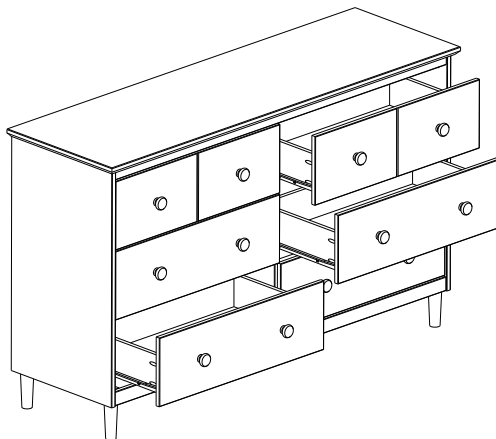
Once the drawer alignment is square, secure the position of the drawer runners (parts H & I) to the side panels (parts 02 & 03) by re-tightening the part M screw and adding the part R screw + N as shown.



Once the drawer alignment is square, secure the position of the drawer runners (parts H & I) to the division panel (part 16) by re-tightening the part C screw and adding the part B screw as shown.

Complete these steps for both the left and the right side of each drawer.

|   |   |    |
|---|---|----|
| B |  $\varnothing 3,0 \times 14 \text{mm}$ | 06 |
| N |  $\varnothing 15 \times 10 \text{mm}$  | 06 |
| R |  $\varnothing 3,0 \times 20 \text{mm}$ | 06 |

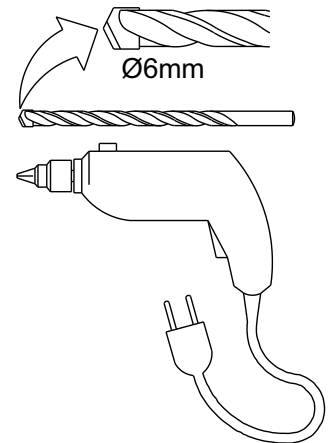
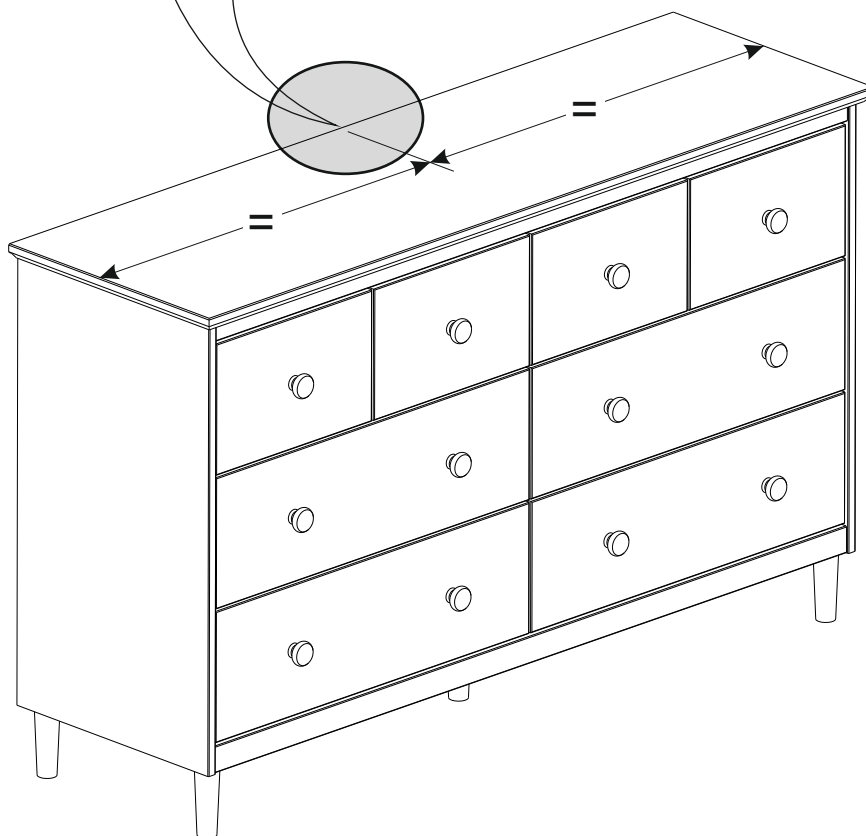
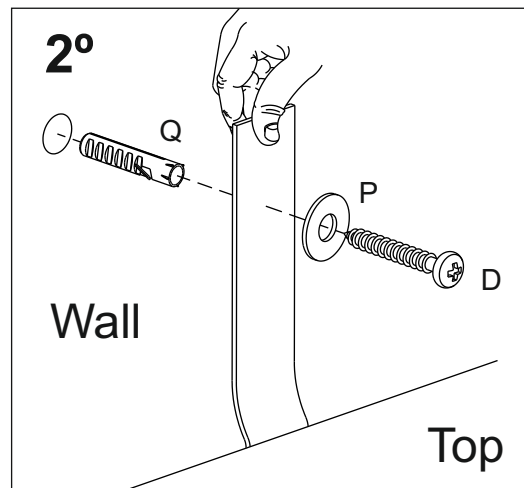
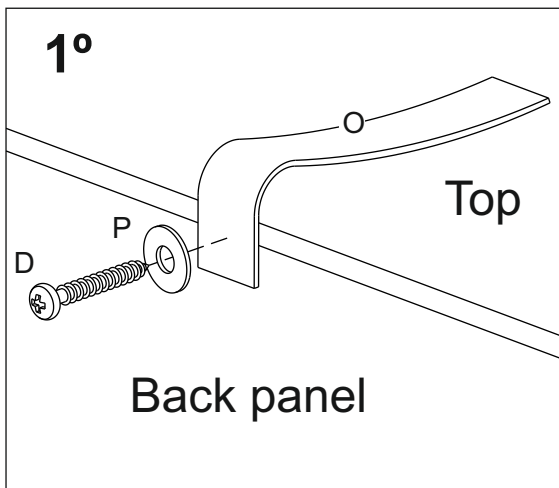



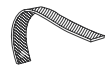

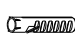
## Completed Assembly !

# WARNING

Serious or fatal injuries can occur from furniture tipping over. To prevent the furniture from tipping over we recommend that it is permanently fixed to the wall.

Wall anchor and hardware are included with this product. Please make sure hardware is suitable for your walls before installing, as different wall materials may require different types of anchors.



|   |  |    |
|---|--|----|
| D | <br>Ø4,0*30mm | 02 |
| O |               | 01 |
| P |               | 02 |
| Q |               | 01 |