

Features

- 22-1/4" (565 mm) x 18-1/4" (464 mm)
- Back drilled on 8" centers.
- Constructed of KOHLER® Cast Iron.
- Includes rim guard for added durability.
- The bottom of the sink is an unpainted, ground-coat surface.

Material

- KOHLER finishes resist corrosion and tarnishing.

Recommended Products/Accessories

K-6672

K-6673 Adjustable Trap

K-8905 Service Sink Faucet

K-8907 Service Sink Faucet

K-9142 Service Sink Strainer

K-9146 Service Sink Strainer

K-9147 Service Sink Strainer

K-23726 Drain treatment

K-23725 Cast iron cleaner

Included Components

Additional Components:

Hanger(s)

stainless steel rim guard



Codes/Standards

ASME A112.19.1/CSA B45.2

KOHLER® Enameled Cast Iron Kitchen Sink Lifetime Limited Warranty

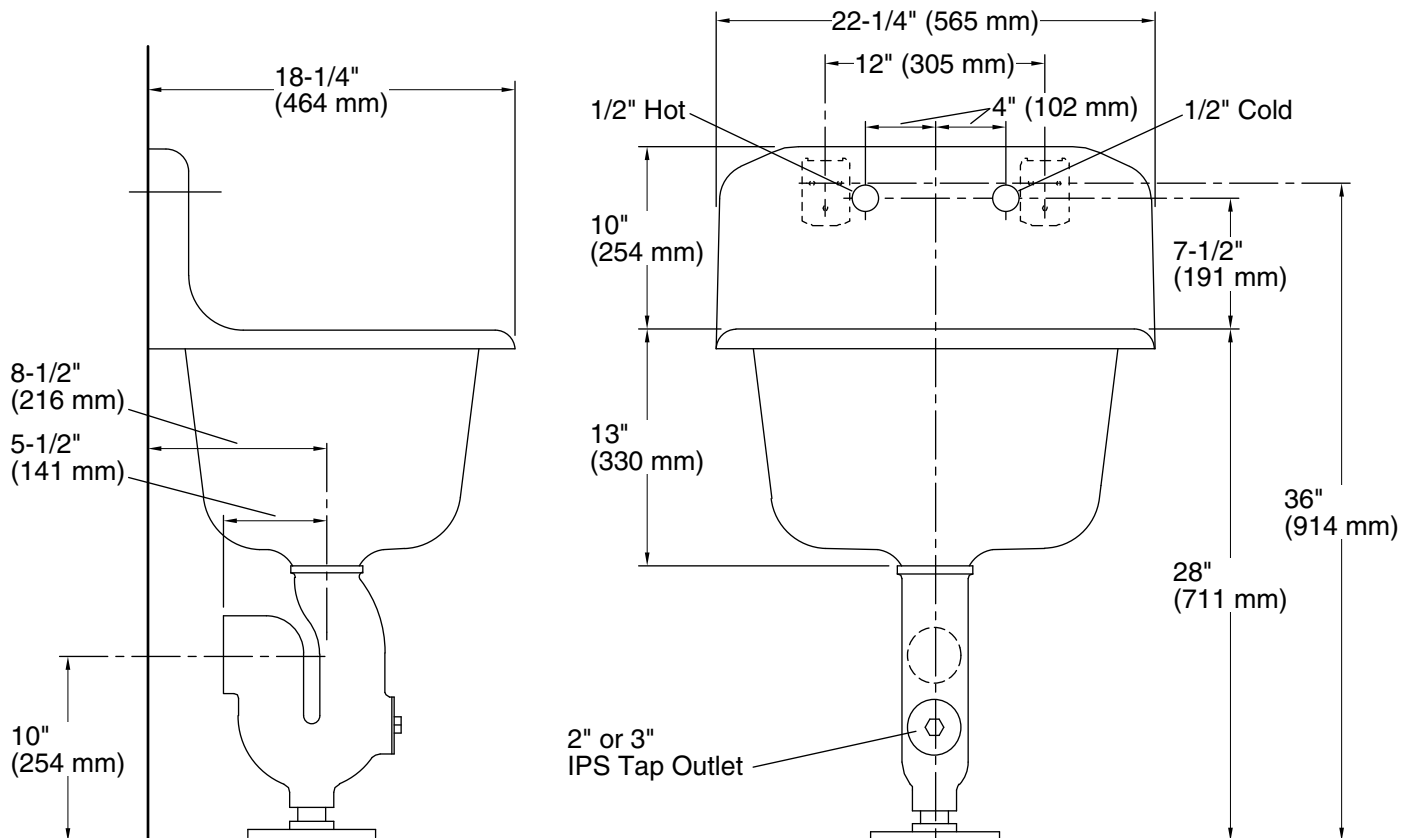
See website for detailed warranty information.

Available Colors/Finishes

Color tiles intended for reference only.

Color Code Description

■	0	White
---	---	-------



Technical Information

All product dimensions are nominal.

Bowl configuration:	Single
Installation:	Top-mount
Bowl area (Only):	Length: 18" (457 mm) Width: 14" (356 mm) Water depth: 12" (305 mm)
Number of deck holes:	2
Faucet hole spacing:	8" (203 mm)
Faucet hole(s):	1-1/2" (38 mm)
Drain hole:	3-1/8" (80 mm)

Notes

Install this product according to the installation instructions.

WARNING: Risk of personal injury. The rim guard has sharp edges. Use caution when handling.

IMPORTANT: This product is not intended for installation in a residential setting.