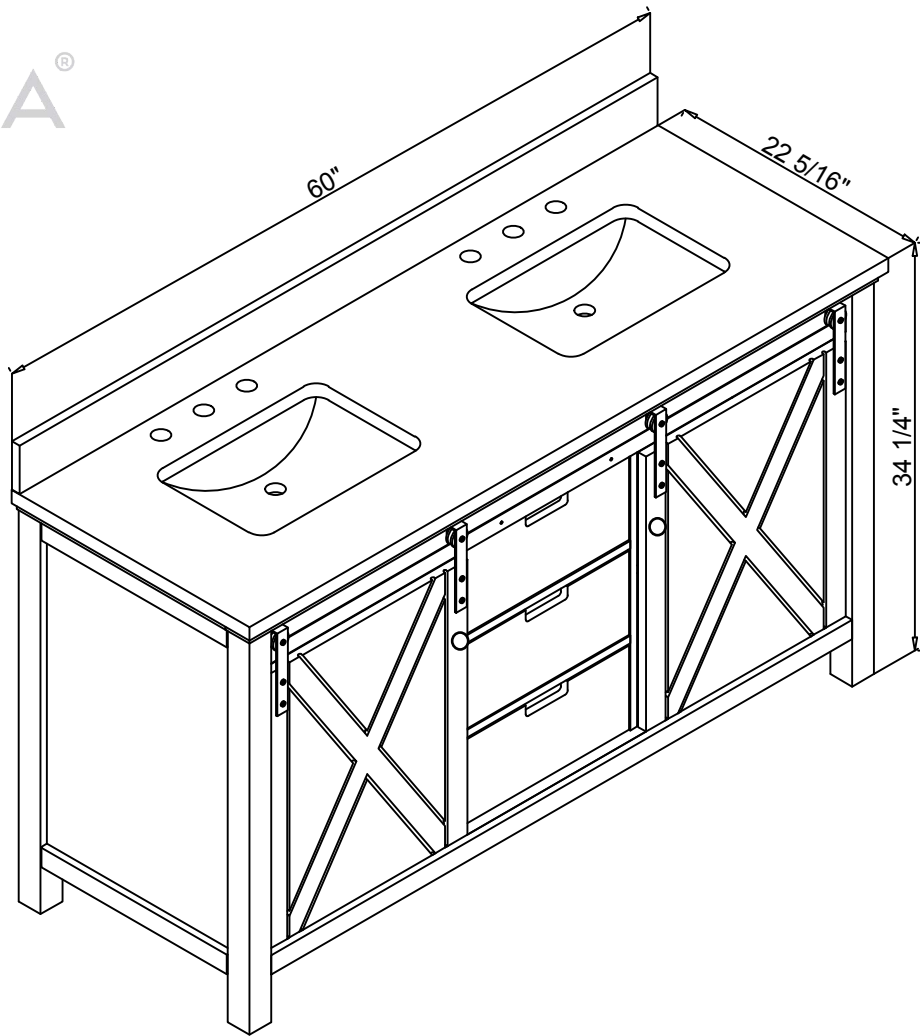
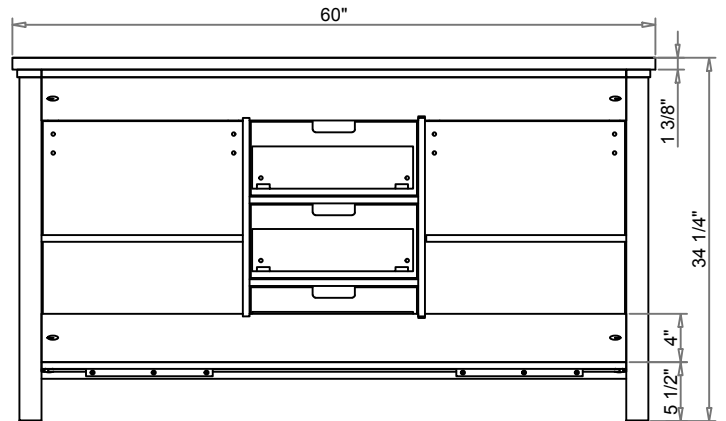
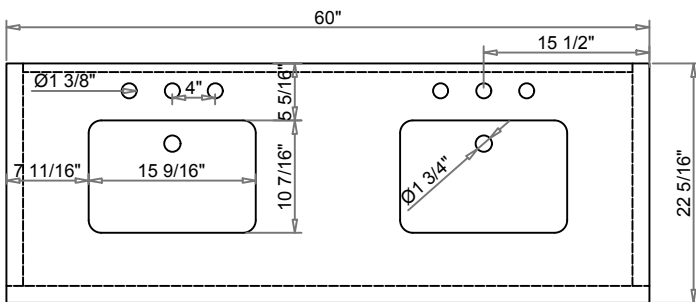




LEXORA®
HOME DECOR & HOME FURNISHINGS

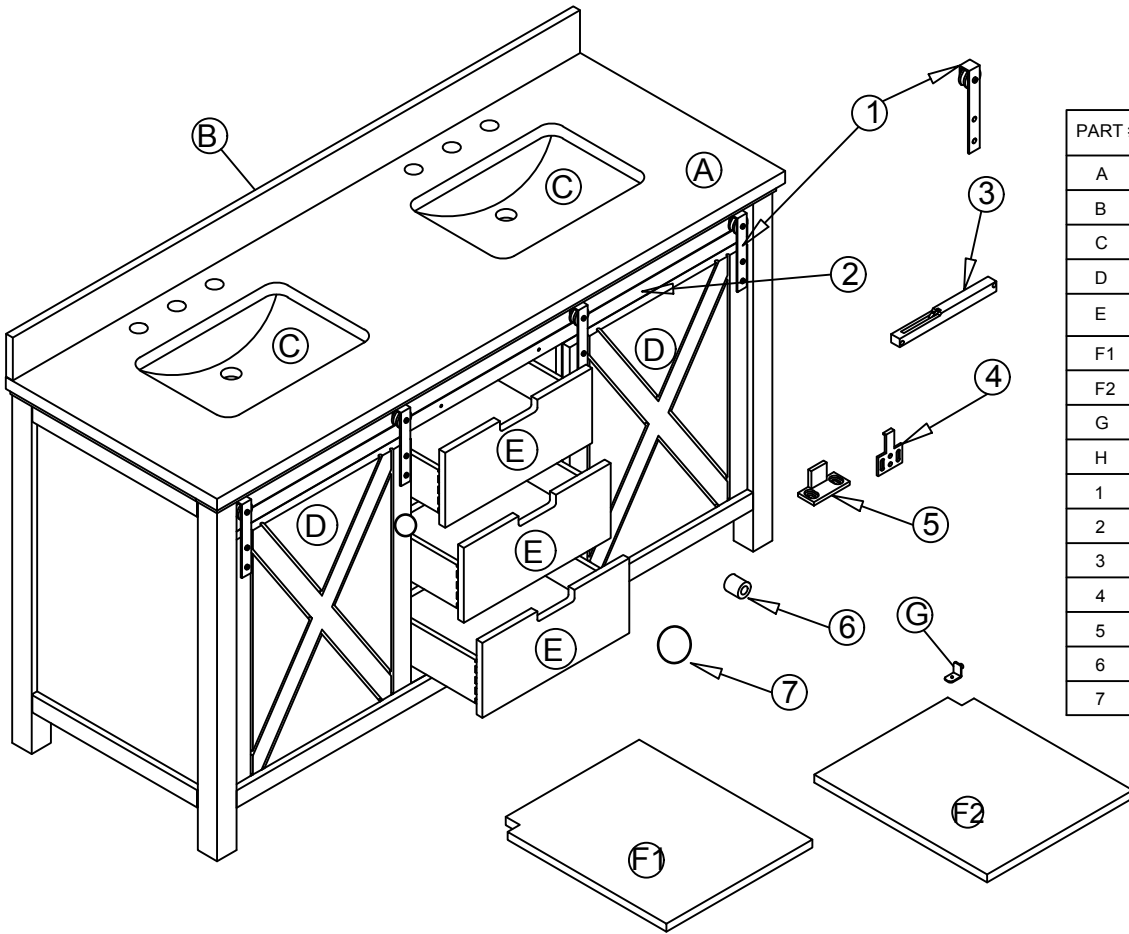


DIMENSIONS



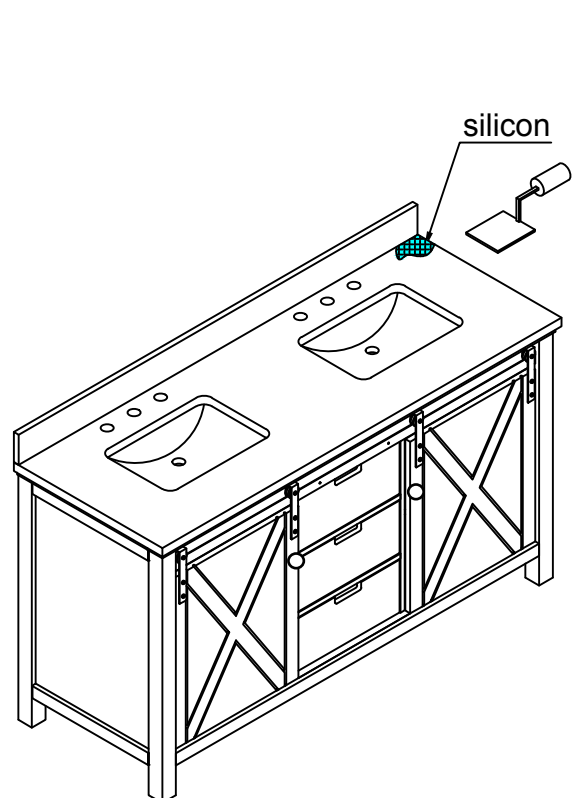
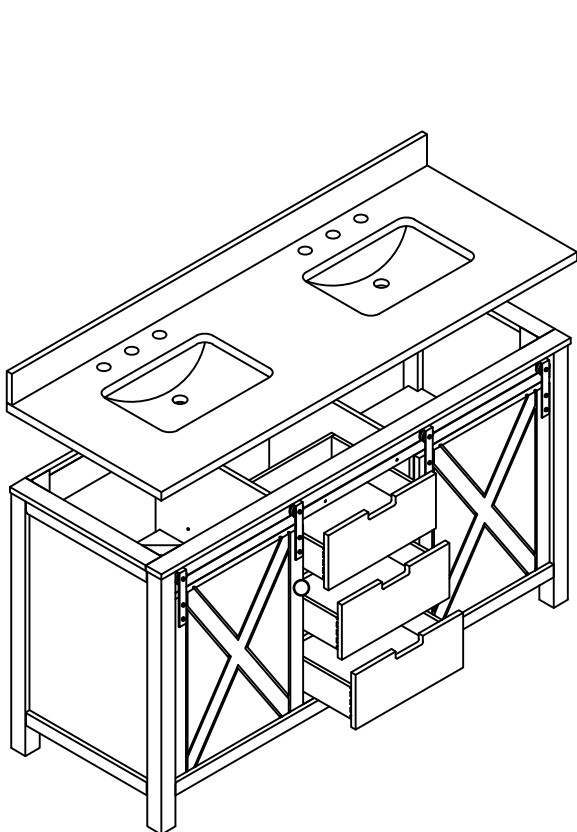
#1

PART LIST



PART #	DESCRIPTION	QUANTITY
A	Countertop	1
B	Backsplash	1
C	Basin	2
D	Door	2
E	Drawer	3
F1	Adjustable Shelf (Left)	1
F2	Adjustable Shelf (Right)	1
G	Shelf holder	8
H	Drawer Glide	3
1	Hardware (Door)	4
2	Metal	1
3	Glide Plastic (back metal)	4
4	hardware (Back Door)	2
5	Plastic L (bottom Door)	2
6	Plastic hole (back metal)	4
7	Handle	2

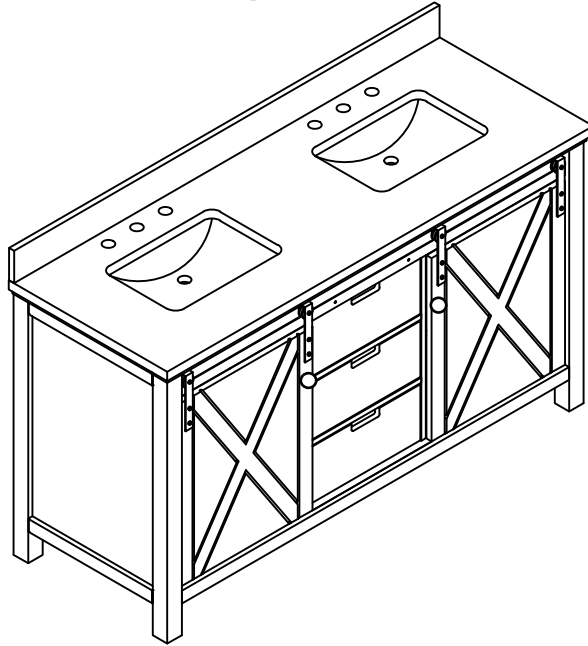
INSTALLATION



INSTALLSTION

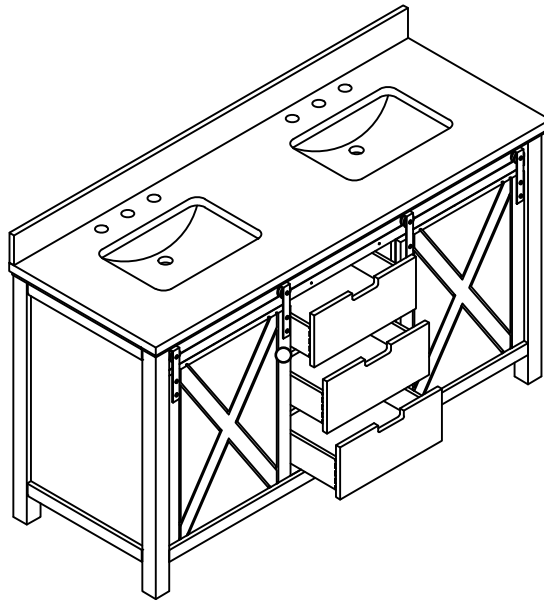
#1

(C)



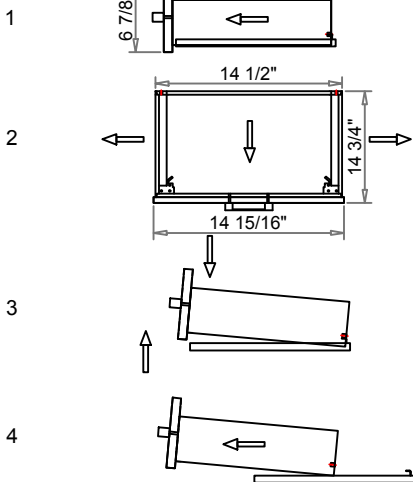
#2

DRAWER



REMOVE

INSTALL



(B)

(C)

