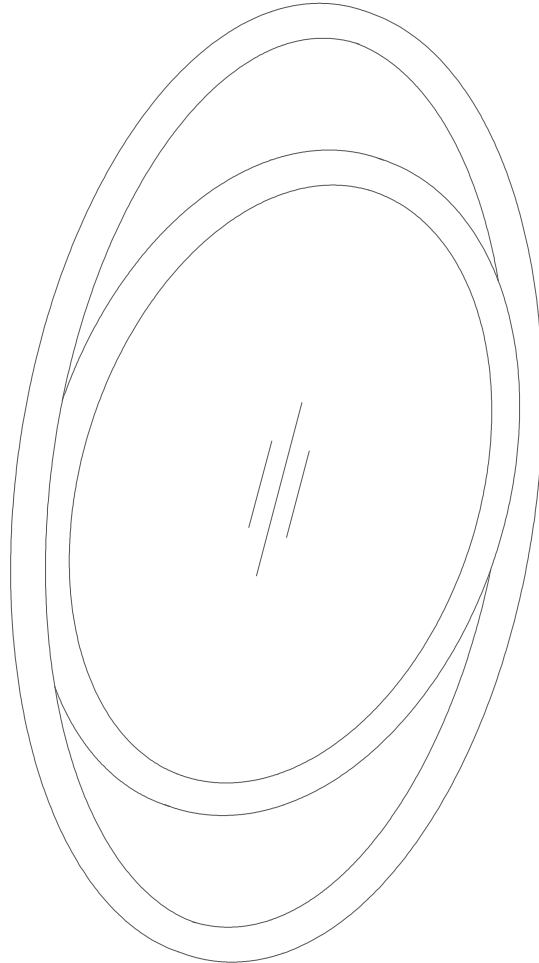


28" ESCA MIRROR

242-MO28-NAT
242-MO28-WLT

JAMES MARTIN
VANITIES



Features and Materials

Solids: NAT-Ash; WLT-Rubber Wood
Panels: Plywood
Installation Type: Wall Mounted
Bevel on Mirror: 1"

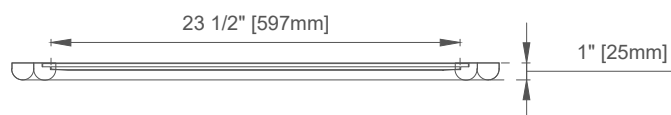
Dimension

Width: 28"
Depth: 1"
Height: 38"

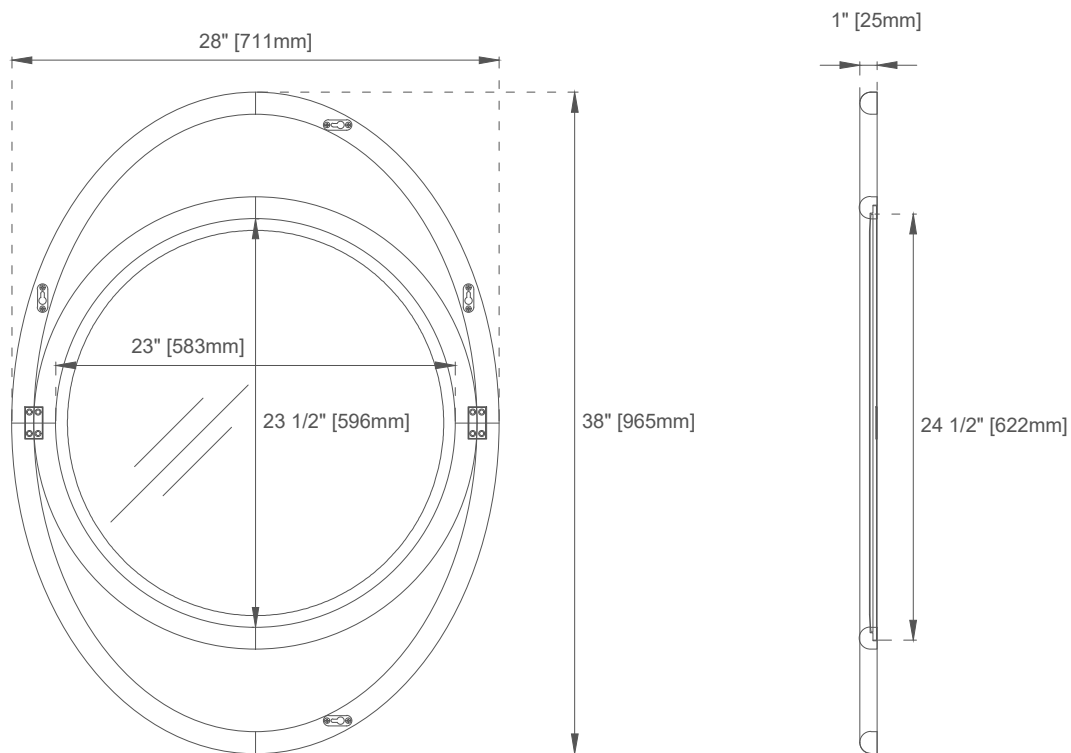
28" ESCA MIRROR

242-MO28-NAT
242-MO28-WLT

JAMES MARTIN VANITIES



Top View



Front View

Side View

All dimensions are nominal

Visit website for warranty and installation information
www.jamesmartinvanities.com