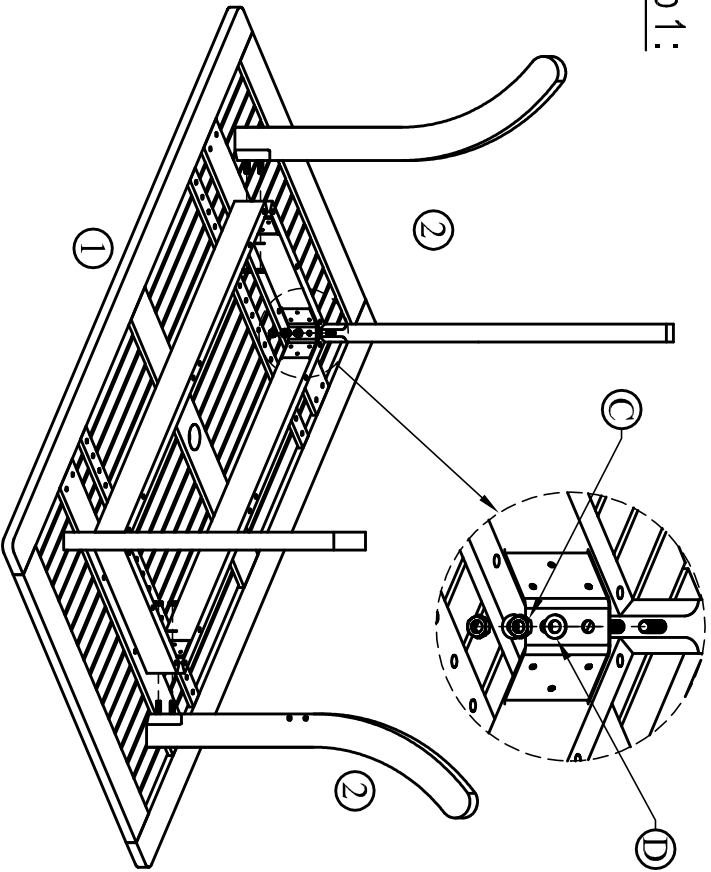


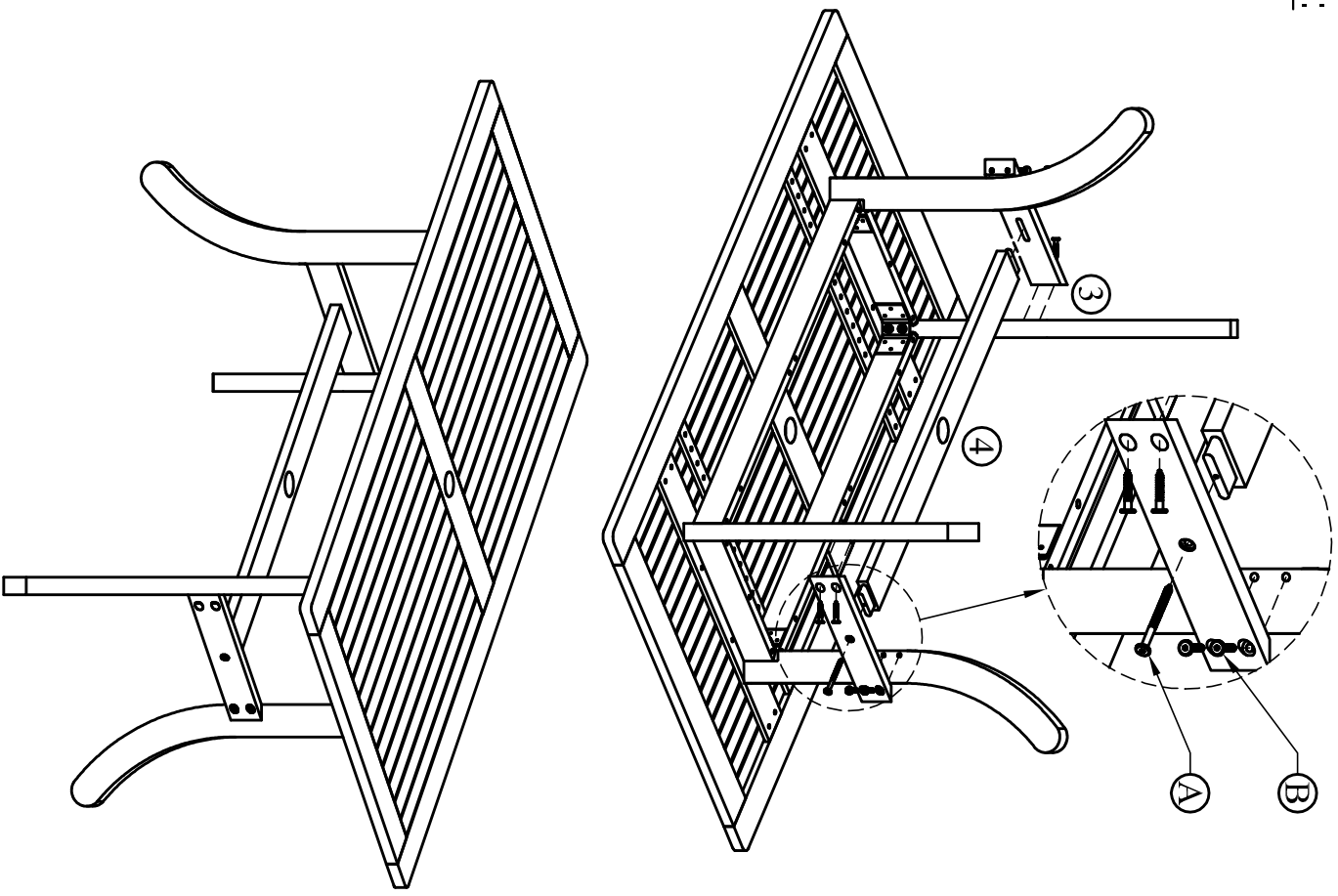
Item	Name	Description	Qty
A	F - Screw 7x60		2
B	F - Screw 7x40		8
C	Nut M8		8
D	Washer Ø20xØ9x1		8
E	Allen Key		2
F	Spanner		1

**Step 1 :**

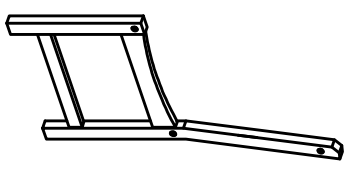


QTY 1	QTY 4	QTY 2	QTY 1

**Step 2 :**

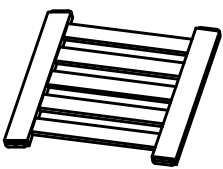


1



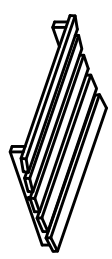
QTY 2

2



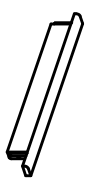
QTY 1

3

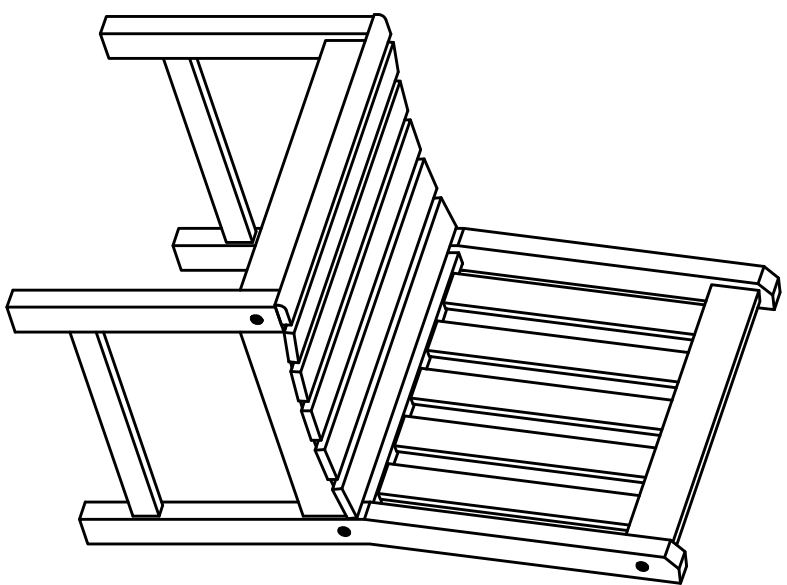
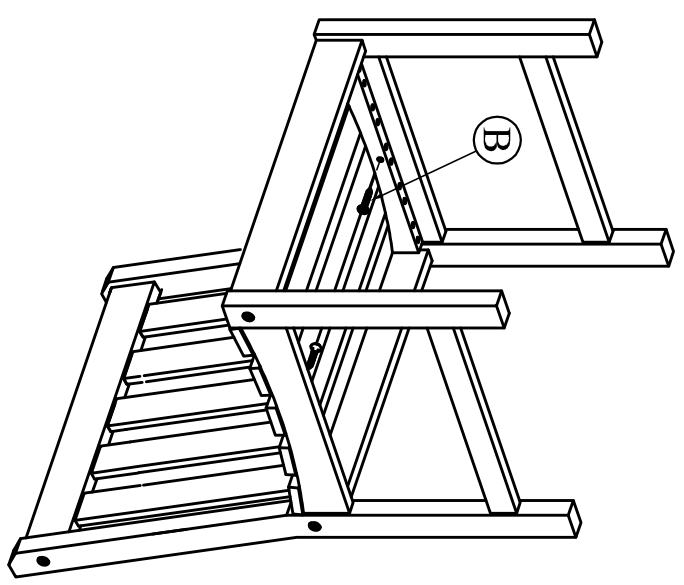
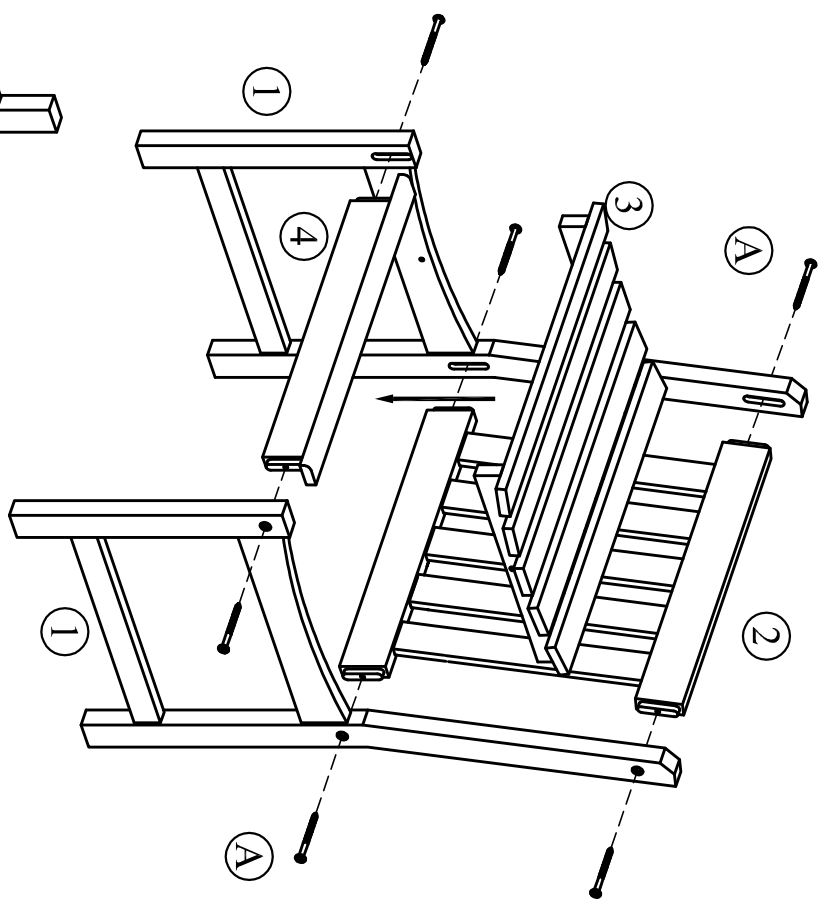


QTY 1

4



QTY 1



Item	Name	Qty	Describe
A	F - Screw 7x90	6	
B	F - Screw 7x40	2	
C	Allen Key	2	