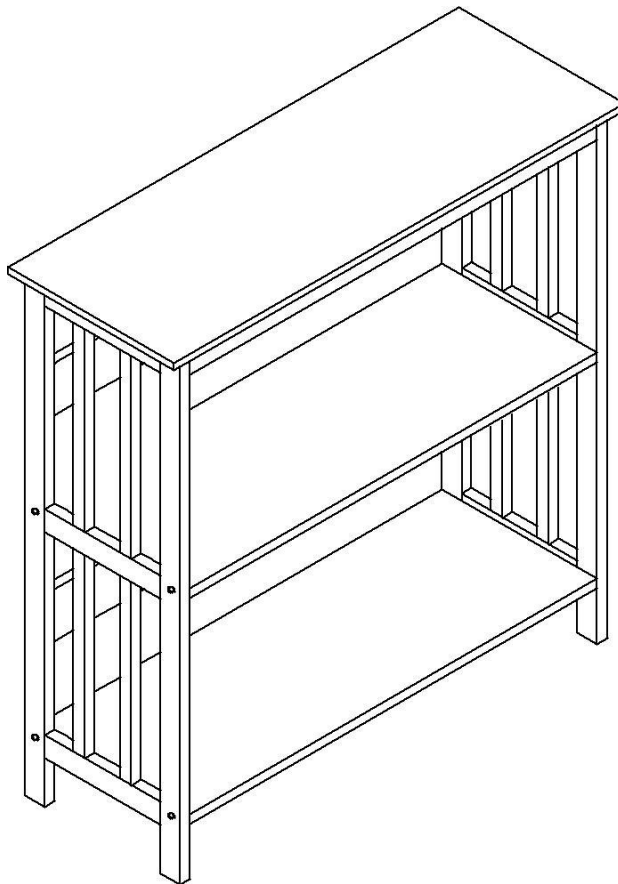


CONVENIENCE CONCEPTS

Mission 3 Tier Bookcase 203330W/203330BL



Assembly Instructions

We have designed our furniture with you, the customer in mind. Our clear, easy to follow step by step instructions will guide you through the project from start to finish.

Feel confident that this will be a fun and rewarding project. The final product will be a quality piece of furniture that will go together smoothly and give years of enjoyment.



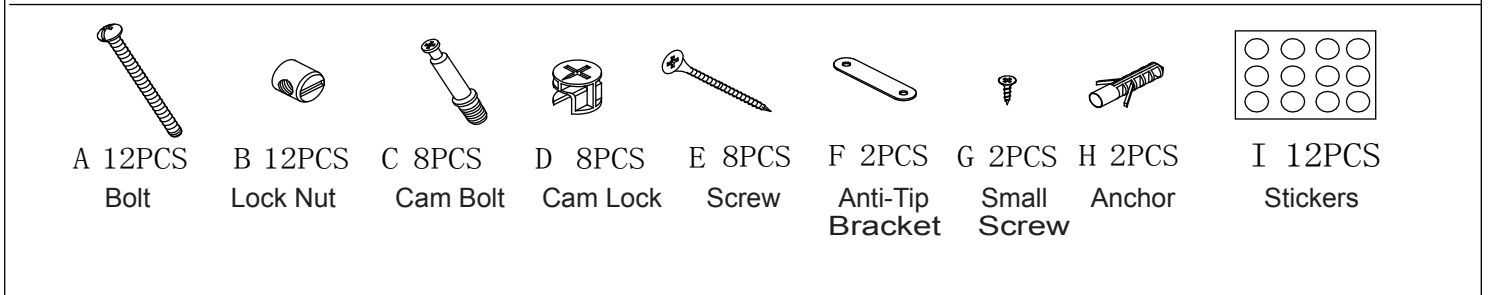
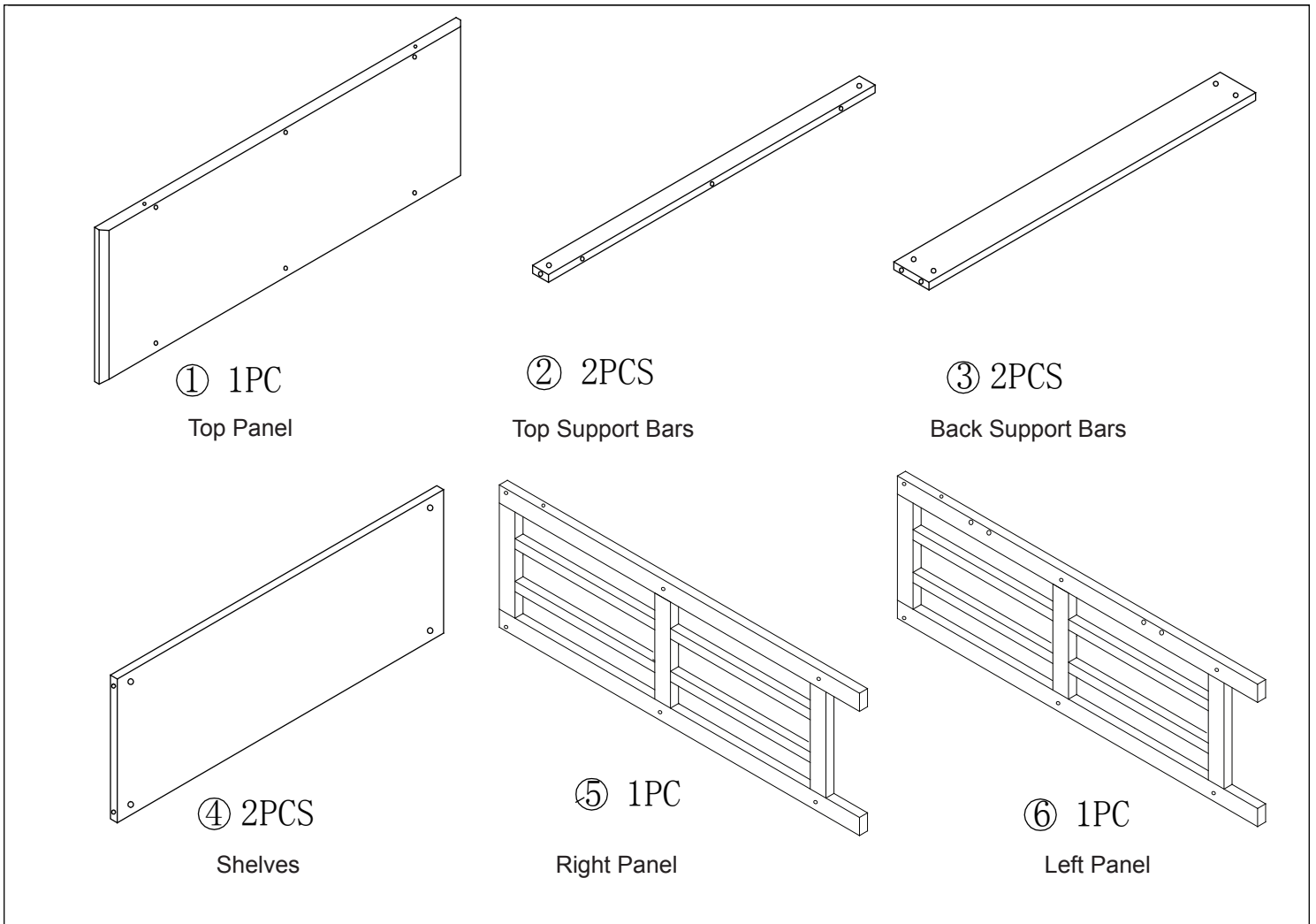
Please do not return to the store

Broken or missing Hardware?

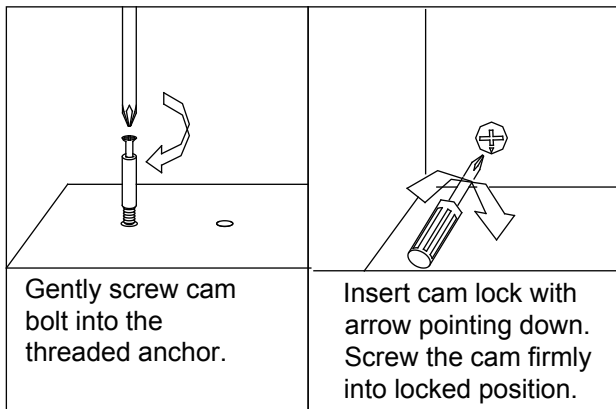
Need help with Assembly?

If you have any questions just call 1-800-468-6447 or email us at
parts@convenience-concepts.com

Special Note: We recommend the use of a hand held screwdriver to avoid the stripping of screw heads.



Assembling the unit with cams.

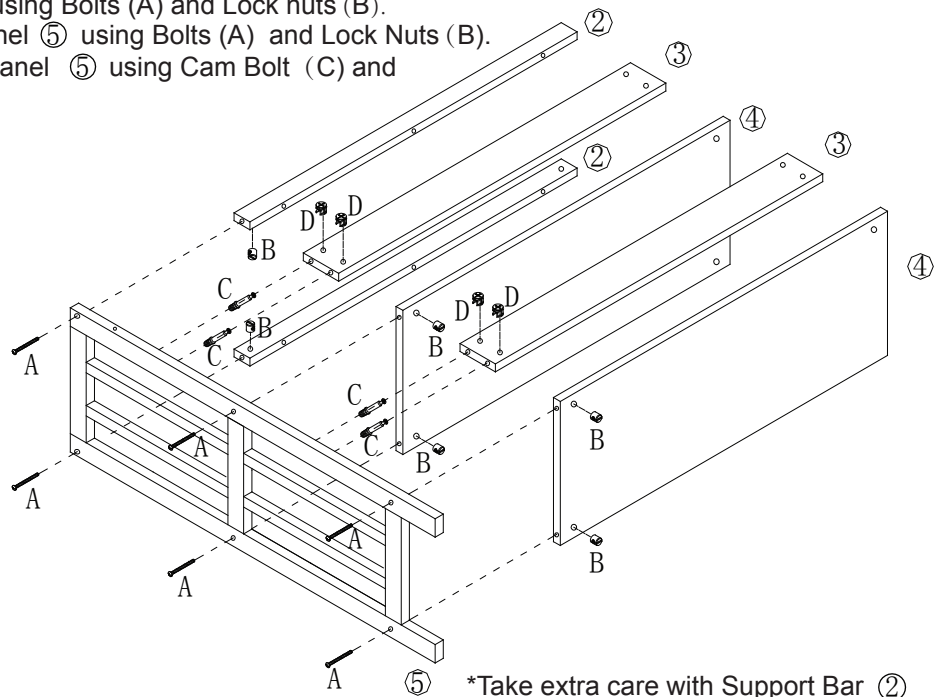


Step 1

NOTE: Assemble unit on carpet or other soft surface to avoid scratching.

1. Screw Cam Bolts (C) into Right Panel ⑤ .
2. Attach Shelves ④ to right panel ⑤ using Bolts (A) and Lock nuts (B).
3. Attach Top Support Bars ② to right panel ⑤ using Bolts (A) and Lock Nuts (B).
4. Attach Back Support Bars ③ to right panel ⑤ using Cam Bolt (C) and Cam Lock (D).

6 X (A)	
6 X (B)	
4 X (C)	
4 X (D)	



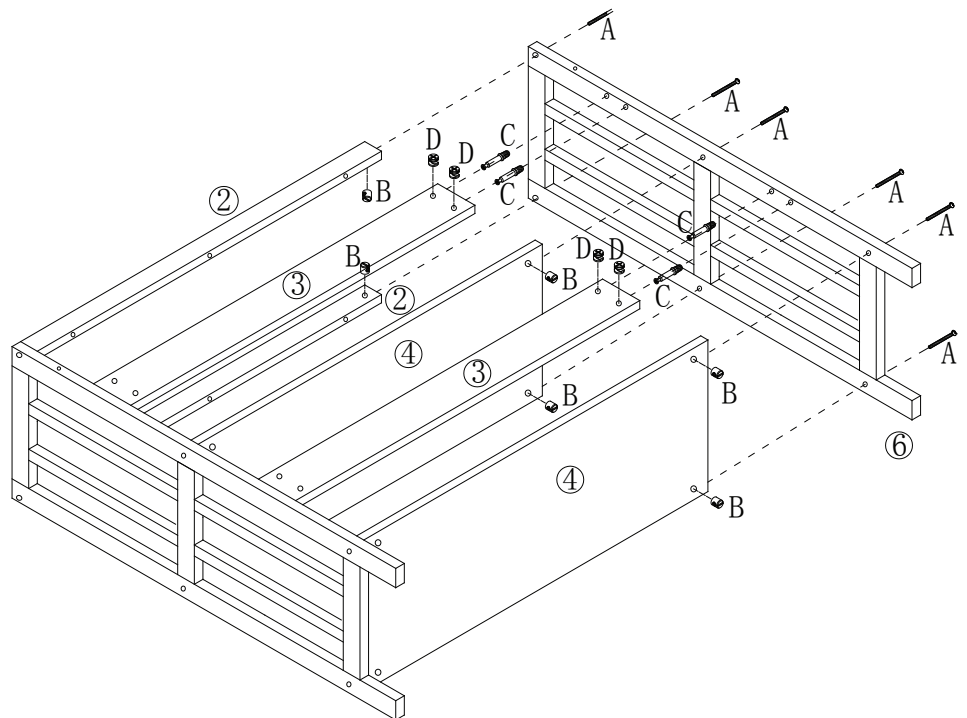
Take extra care with Support Bar ② and ③ while they are awaiting step 2.

Step 2

Refer to page 2 for cam lock/bolt assembly.

1. Screw Cam Bolts (C) into Left panel ⑥ .
2. Attach Left panel ⑥ to assembly using Cam Bolts (C), Cam Lock (D), Lock Nut (B) and Bolts (A).

6 X (A)	
6 X (B)	
4 X (C)	
4 X (D)	

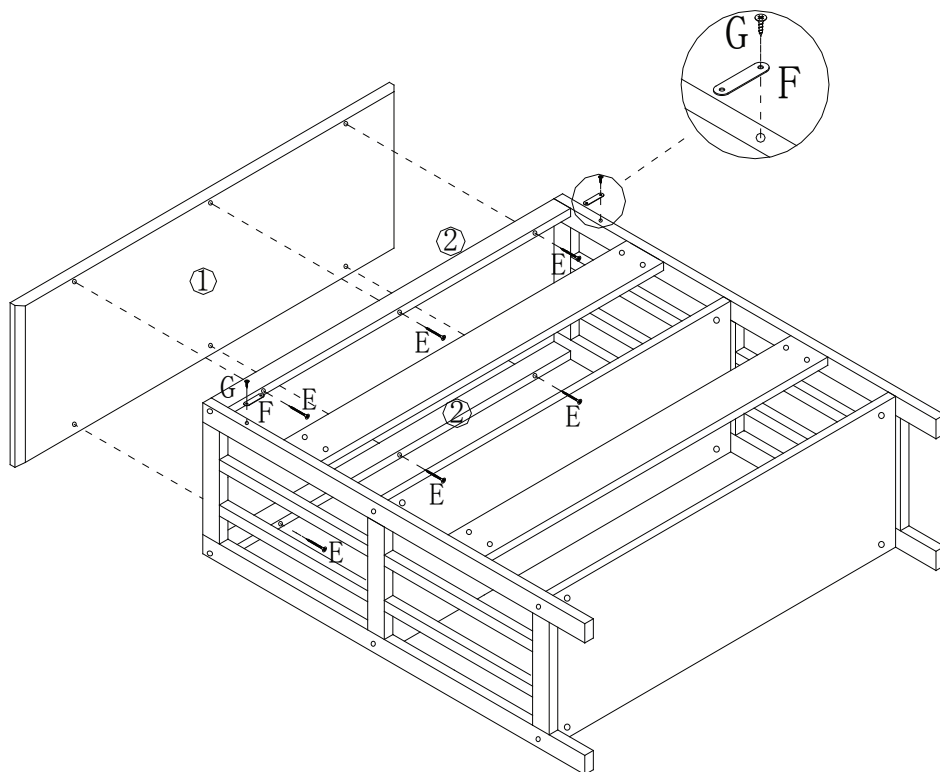


Make sure threaded hole of lock nut (B) faces direction of bolt (A) entrance hole.

Step 3

1. Attach Top Panel ① to assembly using Screws (E).
2. Attach Anti-Tip Bracket (F) to back of unit using Screws (G).

6 X (E)	
2 X (F)	
2 X (G)	



Step 4

1. If desired place Stickers (I) over bolt holes.
2. Place unit into desired location and mark Anti-Tip bracket's (F) holes with pencil and remove unit.
3. Drill holes into wall slightly smaller than Anchors (H) and gently tap Anchors (H) into wall.
4. Reposition unit and fasten to wall using Screws (E) and Anti-Tip brackets (F).

2 X (E)	
2 X (H)	
12 X (I)	

