

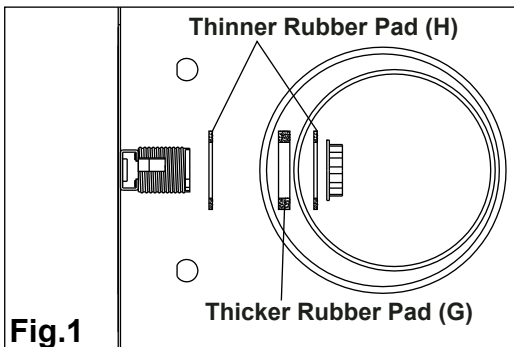
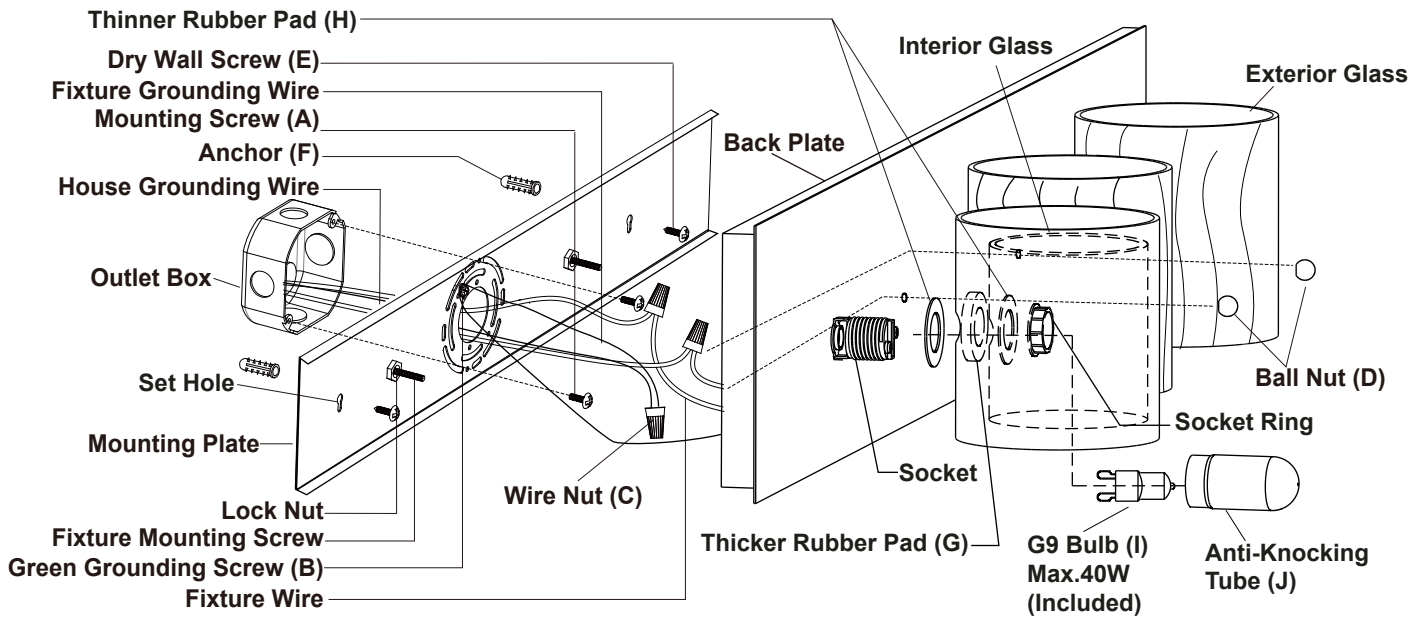
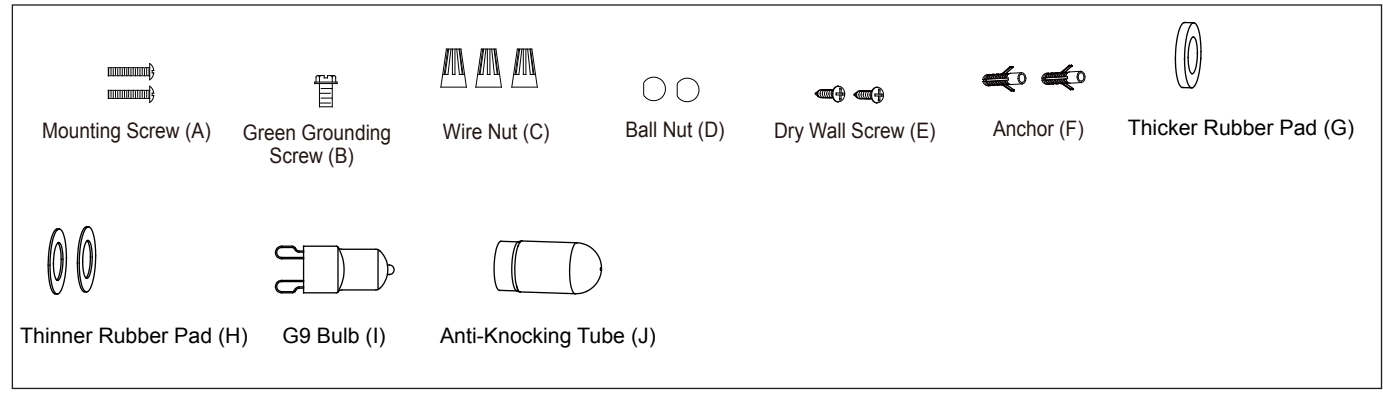
ASSEMBLY AND INSTALLATION INSTRUCTIONS

W0244

WARNING: TO AVOID RISK OF ELECTRICAL SHOCK, BE SURE TO SHUT OFF POWER BEFORE INSTALLING OR SERVICING THIS FIXTURE.

NOTES: 1. Before installing, consult local electrical codes for wiring and grounding requirements.
2. READ AND SAVE THESE INSTRUCTIONS.

Hardware Package (included):



Installation Steps

Turn off the power at fuse or circuit box

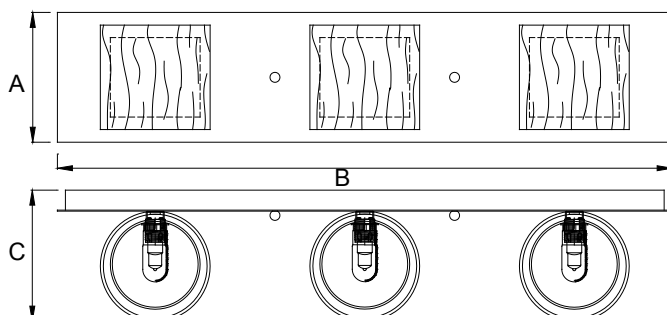
- Unsecure the ball nuts, carefully remove mounting plate from back plate.
- Attach the mounting plate to the wall.
 - If the wall material is wood:
Attach the mounting plate to the outlet box by using two mounting screws, then secure the dry wall screws through the set holes to the wall.
 - If the wall material is cement:
Place the mounting plate to the outlet box and mark the target on the wall from the set hole for drilling two holes. Remove the mounting plate. Drill the holes and thread the anchors into the holes, then attach the mounting plate to the outlet box by using two mounting screws. Secure the dry wall screws through the set holes into the anchors.
- Pull out the source wires from the outlet box. Make wire connections using wire nuts as follows:
 - Connect the hot wire (usually black insulation) from the fixture to the black wire from the power source.
 - Connect the neutral wire (usually white insulation) from the fixture to the white wire from the power source.
 - Attach the fixture grounding wire (usually green insulation or bare wire) to the mounting plate with the green grounding screw, and then connect it to the house grounding wire with the wire nut.
 Carefully put the wires back into the outlet box.
- Attach the back plate to the mounting plate by inserting the fixture mounting screws, then secure it with the two ball nuts.
- Attach the thinner rubber pads onto the sockets and place thicker rubber pads between interior glasses and exterior glasses and make sure the holes should be aligned. Then attach them onto the sockets and tighten them with socket rings. (See Fig.1)
- Install G9 bulbs (included). Check relamping label at socket area or packaging for maximum allowed wattage.
- Secure the anti-knocking tubes onto the sockets.

Turn on the power at fuse or circuit box

The following parts are available for re-order if damaged or missing.

Spare Parts List:

Mounting Screw (A)	Green Grounding Screw (B)	Wire Nut (C)	Ball Nut (D)	Dry Wall Screw (E)	Anchor (F)	← Mounting Hardware 5656MM (1 SET)
Exterior Glass X3 9848WG	Interior Glass X3 9849FO	Thicker Rubber Pad (G) X3 5101RP	Thinner Rubber Pad (H) X6 5102RP	G9 Bulb (I) X3 9850GB	Anti-Knocking Tube (J) X3 5103AT	



A: 5-1/4"
B: 24"
C: 5-1/4"