



FWS17201CP / FWS17201BN
FWS17201MG

Features

- Lead free brass body
- Brass Cross Handle
- 50/50 pop-up
- Waters saving 1.2 gpm max flow rate (4.5 L/min)(ASME A112.18.1M)

Nominal Dimension

- Handle opened
- 296L x 145D x 146H (mm)
- Handle closed
- 152L x 145D x 146H (mm)

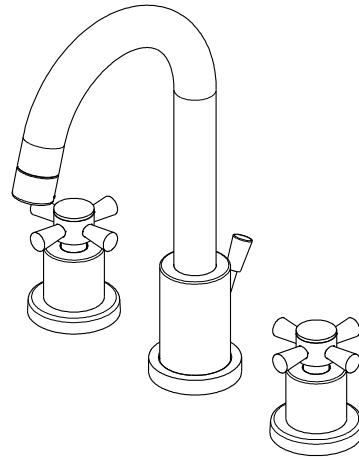
Finishes

FWS17201CP	Chrome Finish
FWS17201BN	Brushed Nickel Finish
FWS17201MG	Matte Gold

Approvals:

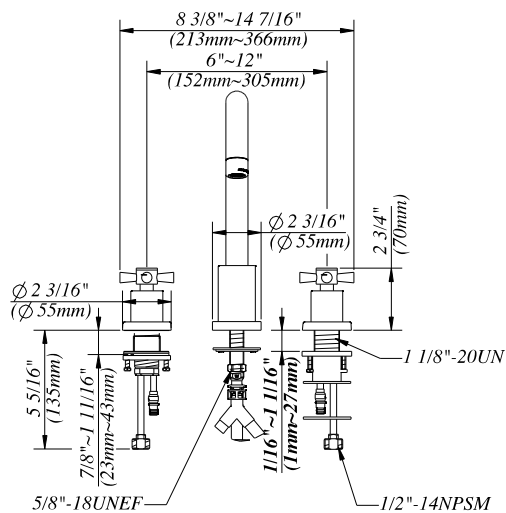
Meets or exceeds the following:

- ASME A112.18.1M
- IAPMO/UPC



Product Diagrams

Front



Side

