

Arnsberg

Product Specification Sheet

Item Number:**323710506**

Created:

June 20th, 2017

Version - Updated:

1.2 - 04/04/2018

**Group/Lifestyle Name:**

Brooklyn

Available Finishes

Chrome

Dimensions and Materials:

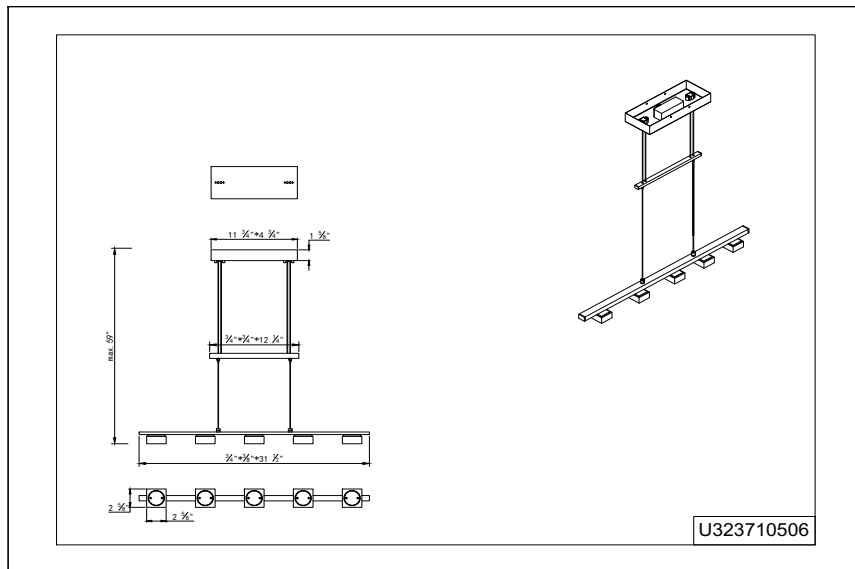
Width	2 5/8"
Length	31 1/2"
Max Height	62.99"
Min. Height	35.43"
Special Features	Adjustable Height
Cord Length	5'
Canopy (Rectangular)	11 3/4"L x 4 3/4"W x 1 5/8"H
Material	Metal/Satin Glass
Double Layered Glass (White inside, clear outside)	2 5/8L x 2 5/8W x 1"H

Electrical Specifications:

Light Source	LED
Light Source/Manufacturer	
LED Spec.	SMD
Total Wattage	25 W
Lumens	1500 Lumens
Kelvin Temperature	3000 K
Dimmability	Quattro Dimming or Fully Dimmable
Driver Specification - Quattro	Output: 20-36V, 700mA
Driver Specification - Fully Dimmable	Output: 24-36V, 700mA
Input Voltage	120V
Safety Rating (Location)	Dry Location
Warranty	5 Years
Certification	ETL

Shipping Information:

Weight	8.98 lbs
Carton Length	8"
Carton Width	8"
Carton Height	40"
Shipping Method	UPS
Quantity Per Carton	1



This Arnsberg Brooklyn linear pendant light is an excellent choice for those who love contemporary minimalist style. Cubes of satin glass offer up a bright glow. Finished in chrome. Uses LED light sources with 3000K color temperature. Uses superior OSRAM SMD LED lights with exclusive Opto Semiconductor. These LED lights are smaller, more efficient and put out more light! Brooklyn also has exclusive Quattro dimming, which means no dimmer switch is required. You can choose from four different levels of light with just the flick of a light switch. Arnsberg offers meticulous German engineering to beautify your home.