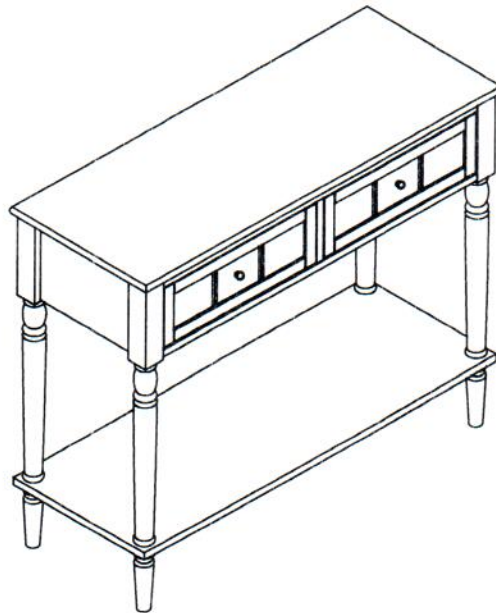



# CONVENIENCE CONCEPTS

## French Country 2 Drawer Hall Table






Item No. 6050419FC 6050419BL



### HARDWARE LIST

CODE	NAME	FIGURE	Q'TY
A	COLOR STICK		1PC

### PARTS LIST

CODE	NAME	FIGURE	Q'TY
①	TABLE TOP		1PC
②	BOTTOM SHELF		1PC
③	LEGS		4PCS
④	FEET		4PCS
⑤	BOTTOM LEG		1PC

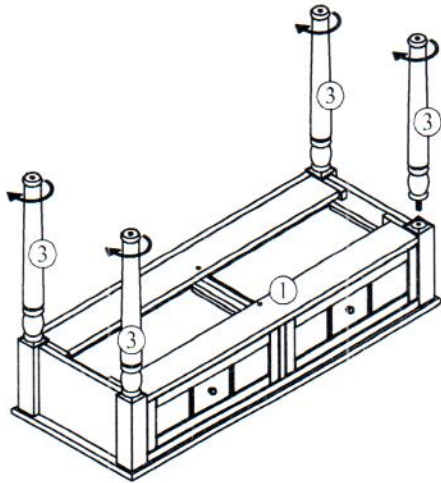


Please do not return to the store

If you have any questions just call 1-800-468-6447 or email us at

[parts@convenience-concepts.com](mailto:parts@convenience-concepts.com)

**\*\*\* PLACE TABLE TOP (1) ON CARPET OR OTHER SOFT SURFACE BEFORE ASSEMBLY.**

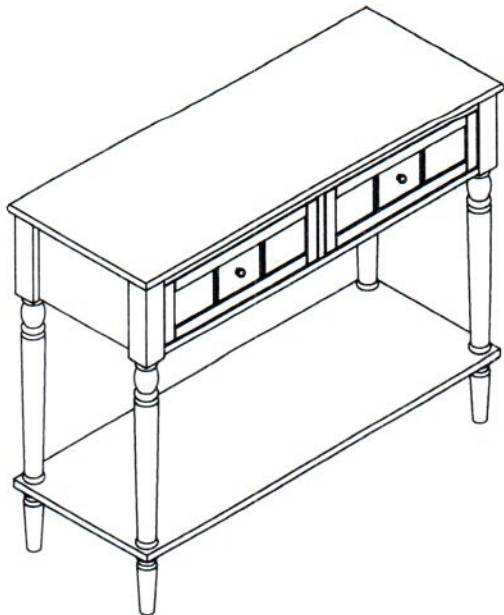
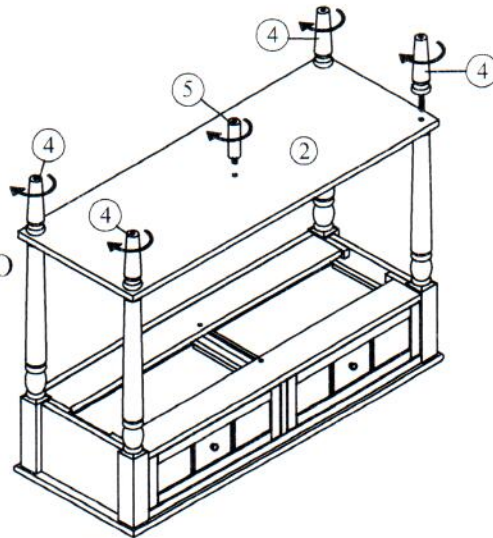


**STEP 1**

SCREW LEGS (3) INTO TABLE TOP (1).

**STEP 2**

PLACE BOTTOM SHELF (2) ONTO LEGS AND SCREW FEET (4), BOTTOM LEG (5) INTO ASSEMBLY.



**STEP 3**

ENJOY YOUR NEW 2 DRAWER HALL TABLE!

**\*\*\*SAVE COLOR STICK FOR FUTURE TOUCH-UPS!**