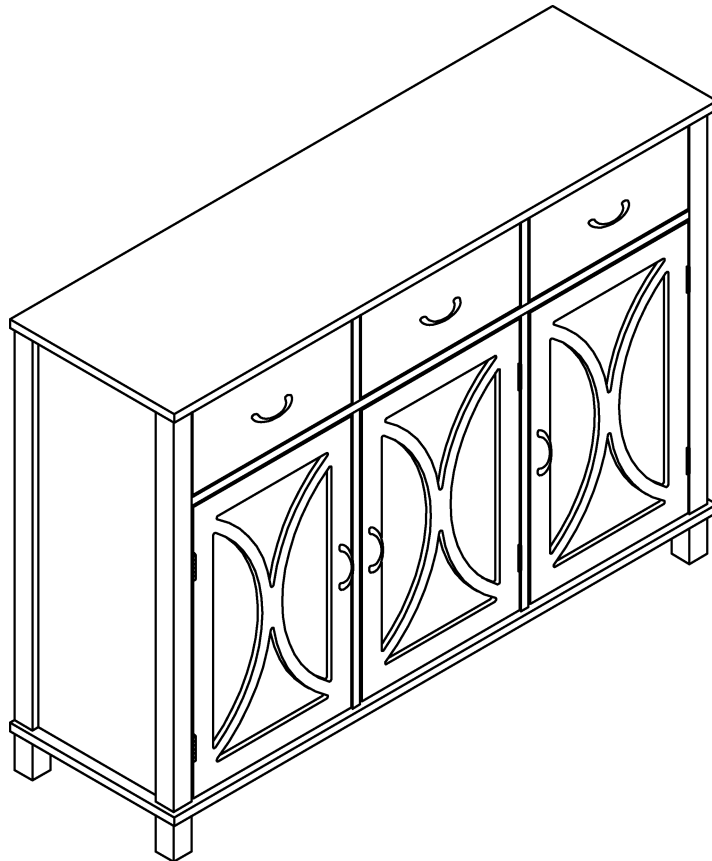


ASSEMBLY INSTRUCTIONS



NOTE TO CUSTOMERS:

- For ease and speed of assembly we recommend that before you commence each step of the assembly that you identify all the parts required to complete that step.
- We recommend that where possible you allow sufficient space to assemble the item as close as possible to the place where it will be once assembled.
- For the protection of your furniture we recommend that the product is placed on protected surfaces during assembly to prevent any damage.
- During assembly do not over tighten, as this may damage the product.
- Please ensure you retain all the product packaging until the item completely assembled.
- Please periodically check all fittings and re-tighten as necessary.
- Never allow any liquids to remain on your furniture as absorption can cause the wood to warp or the finish to de-laminate.
- It is recommended that this item should be assembled by two adults.

To insert a cam lock: (Please read below instructions before assembling)

	<p>Diagram A</p>	<p>1. Insert cam screw into hole as shown in diagram A .</p>
	<p>Diagram B</p>	<p>Make sure not to insert the cam screw: Too deep as shown in figure B as this will cause the cam screw to be misaligned and unable to interlock properly.</p>
	<p>Diagram C</p>	<p>Also avoid inserting the cam screw too close to the surface of the hole as shown in figure C, as this will cause the cam lock to be too loose, and not interlock properly.</p>

	<p>2. Connect the panels together.</p>
<p>ARROW SIGN</p>	<p>3. When inserting the cam lock make sure the arrow of the cam lock faces the cam screw.</p>
	<p>4. To tighten the cam lock turn the cam lock clockwise 90-180 degree or until the arrow is facing opposite the place cam lock was inserted.</p> <p>NOTE: DO NOT USE AN AUTOMATIC SCREWDRIVER TO TIGHTEN CAM LOCKS.</p>

Note:

- Read these instructions carefully before assembling.
- Tools required : Phillis screwdriver, flat screwdriver.
- Find a clean, smooth area on which to work , such as a carpet, in order to avoid scratching the wood surfaces.
- Wait to dispose of the packing material until assembly is complete and all parts and hardware are accounted for.
- Two or more people might be required for assembly.



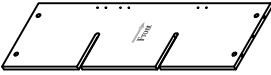
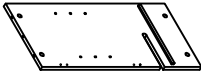
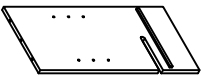
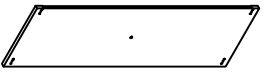
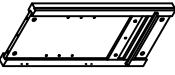

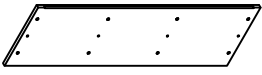
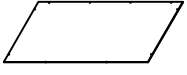
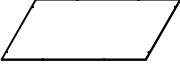
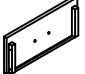

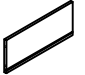
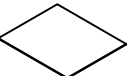
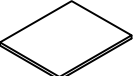



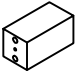
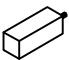
WARNING:

**Serious or fatal crushing injuries can occur from furniture tip-over.
To help prevent tip-over:**

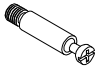

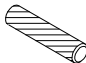
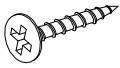



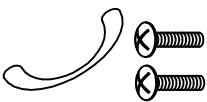
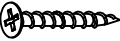
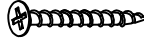

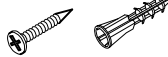
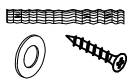
- Place heaviest items in the lowest drawers
- Unless specifically designed to accommodate, do not set televisions or other heavy objects on top of this product.
- Never allow children to climb or hang on drawer, doors, or shelves.
- Never open more than one drawer at a time. (OR)
- Do not defeat or remove the drawer interlock system.

Use of tip-over restraints may only reduce, but not eliminate the risk of tip-over

Part List

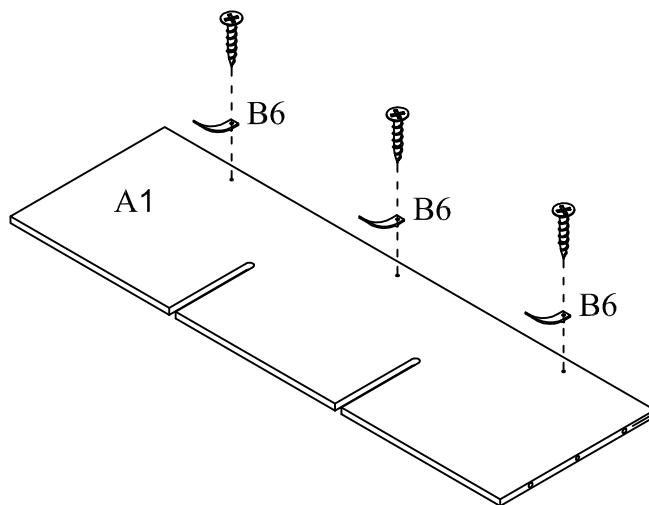
A1.  Top Middle Shelf Quantity of 1	A2 (R).  Right Divider Quantity of 1	A2 (L).  Left Divider Quantity of 1	A3.  Bottom Panel Quantity of 1
A4 (R).  Side panel Quantity of 1	A4 (L).  Side panel Quantity of 1	A5.  Top panel Quantity of 1	A6.  Back panel Quantity of 2
A7.  Back Panel Quantity of 1	A8.  Drawer Front Panel Quantity of 3	A9.  Drawer side panel Quantity of 6	A10.  Drawer back panel Quantity of 3
A11.  Drawer bottom panel Quantity of 3	A12.  Adjustable Shelf Quantity of 1	A13.  Adjustable Shelf Quantity of 2	A14 (L).  Left door Quantity of 1
A14 (R).  Right door Quantity of 2	A15.  Leg Quantity of 4	A16.  Center Support Leg Quantity of 1	

Hardware List

<p>B1. Quantity of 20</p>  <p>Cam-bolt</p>	<p>B2. Quantity of 20</p>  <p>Cam-Lock</p>	<p>B3. Quantity of 18</p>  <p>Wood Dowel</p>	<p>B4. Quantity of 12</p>  <p>Screw</p>	
<p>B5. Quantity of 28</p>  <p>Screw</p>	<p>B6. Quantity of 3</p>  <p>Stopper</p>	<p>B7. Quantity of 3</p>  <p>Magnet</p>	<p>B8. Quantity of 6</p>  <p>Handle</p>	
<p>B9. Quantity of 24</p>  <p>Flat head screw</p>	<p>B10. Quantity of 4</p>  <p>Flat head screw</p>	<p>B11. Quantity of 12</p>  <p>Supporter</p>	<p>B12. Quantity of 1</p>  <p>Anchor with Screw</p>	<p>B13. Quantity of 1</p>  <p>Anti-tip Kit</p>

Step 1

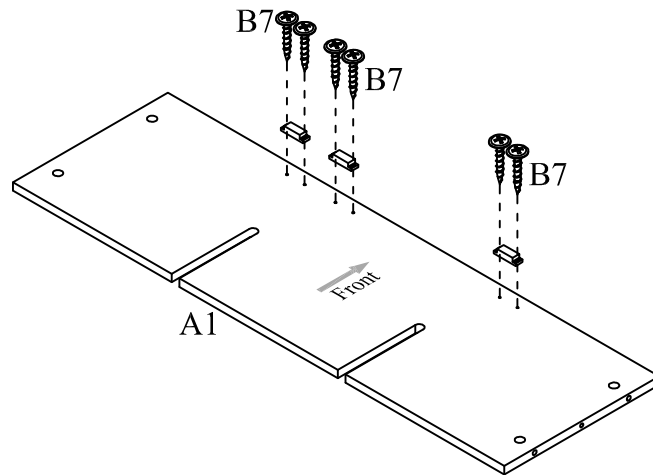
B6 :  3sets



Attach the plastic drawer stopper B6 onto the top middle shelf A1 with included screws.
(There are pre-drilled holes for screws B6 on the top middle shelf).

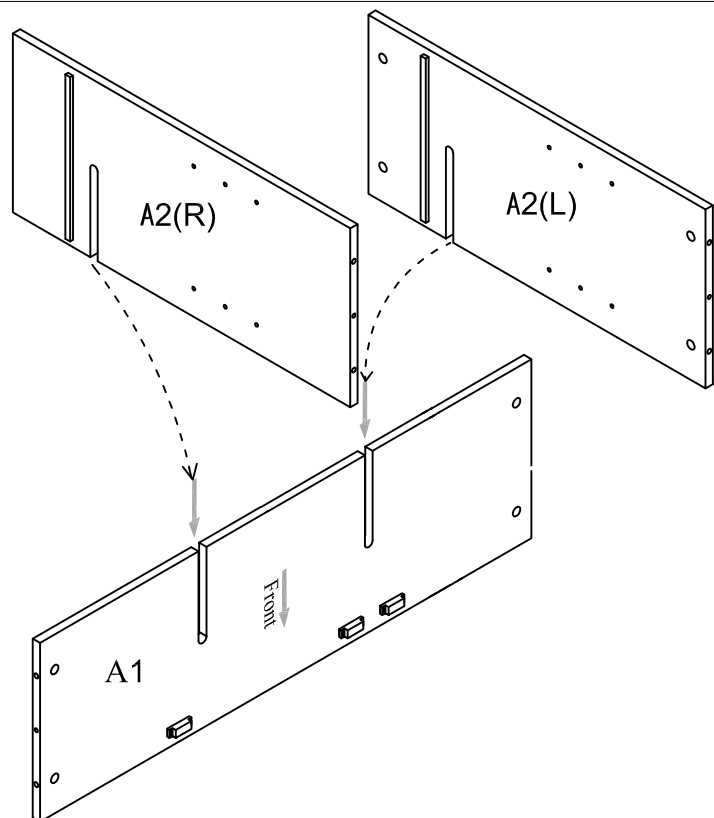
Step 2

B7 :  3sets



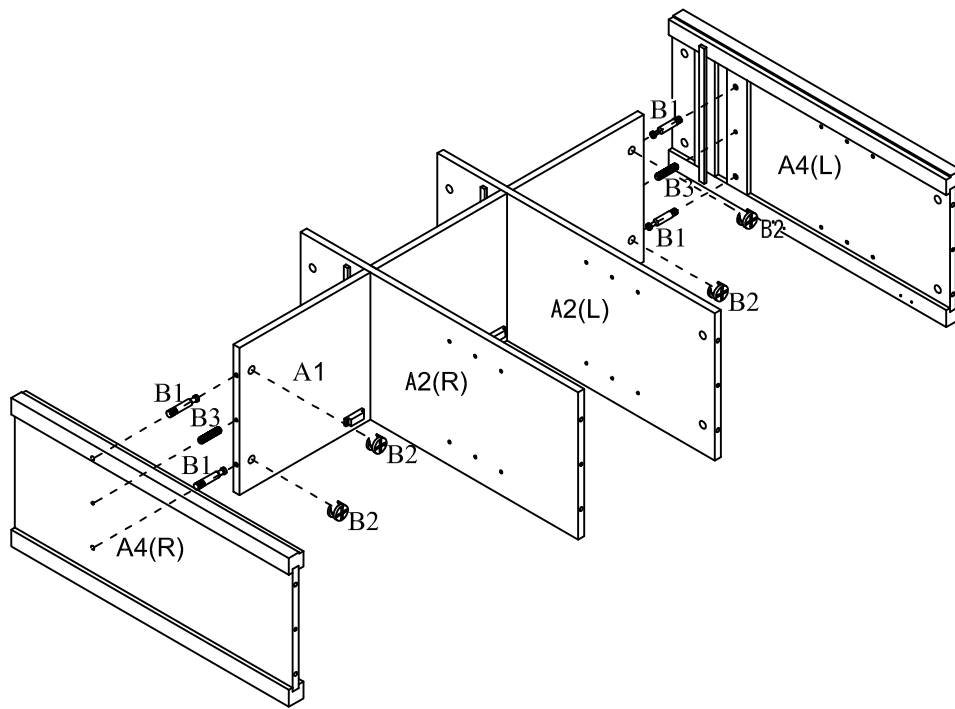
Assemble the door magnets B7 onto the other side of the top shelf A1 with included screws (There are pre-drilled holes for screws B7 on the shelf bottom).



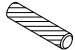
Step 3



Place the dividers A2(L,R) to the top shelf A1 as shown above, please ensure the grooves on each parts are fit properly.

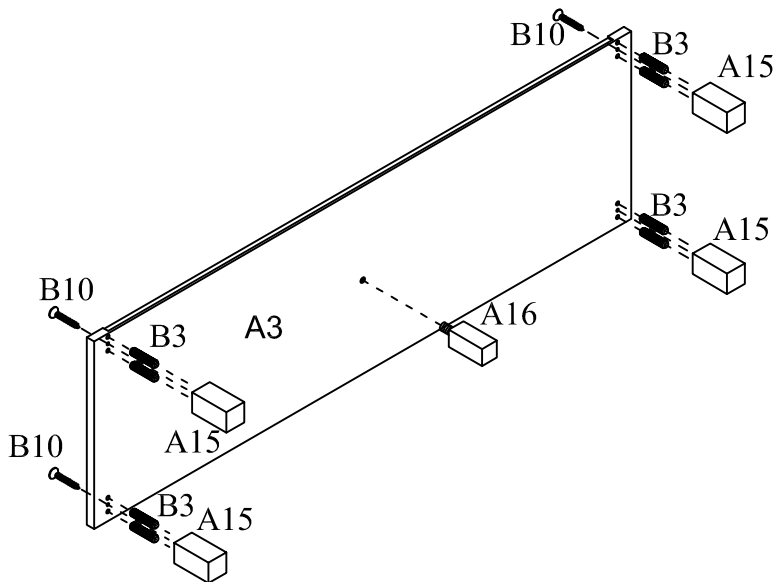
Step 4


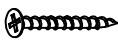


B1 :		4pcs
B2 :		4pcs
B3 :		2pcs

Assemble the side panels A4 (R & L) to the top middle shelf A1 using cam-bolts B1 & cam-locks B2 and wood dowels B3.




Step 5

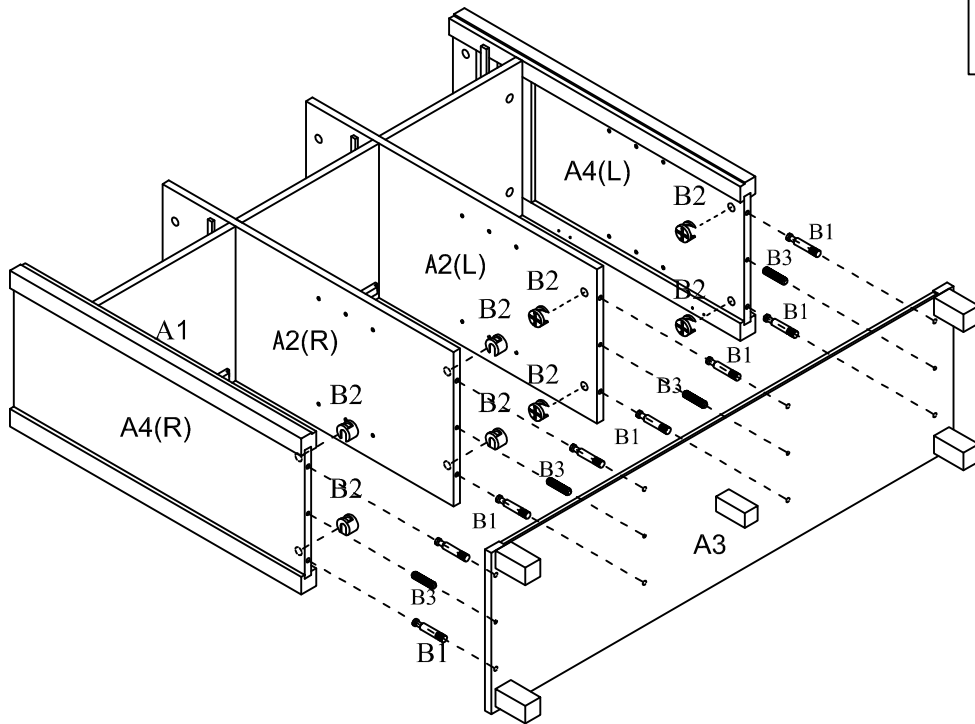


B3 :		8pcs
B10 :		4pcs

- 1). Assemble the legs A15 to the bottom panel A3 using wood dowels B3 and flat head screws B10.
- 2). Tighten the center support leg A16 into the center of bottom panel A3.




Step 6

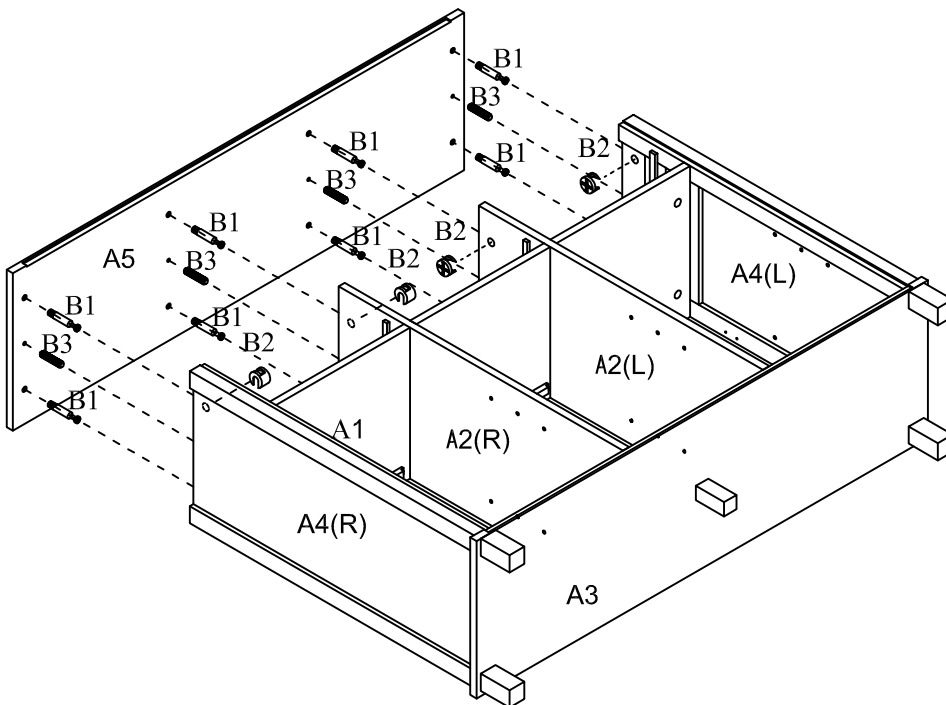
B1 :		8pcs
B2 :		8pcs
B3 :		4pcs



Assemble the bottom panel A3 to the divider panels A2(L , R) and side panels A4 (R , L) using cam-bolts B1 & cam-locks B2 and wood dowels B3.

Step 7

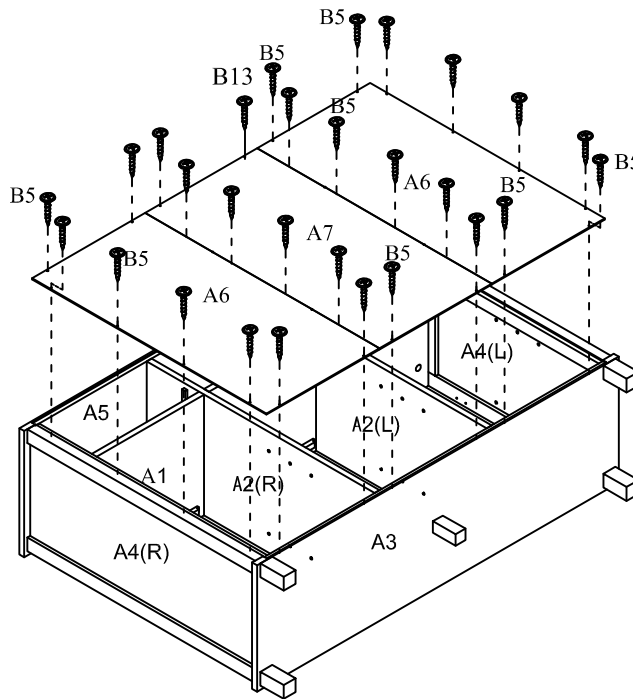
B1 :		8pcs
B2 :		8pcs
B3 :		4pcs



Assemble the top panel A5 to the side panels A4 (R , L), divider panels A2 (L , R) using cam-bolts B1 & cam-locks B2 and wood dowels B3.

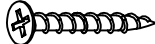
Step 8

B5 :  28pcs

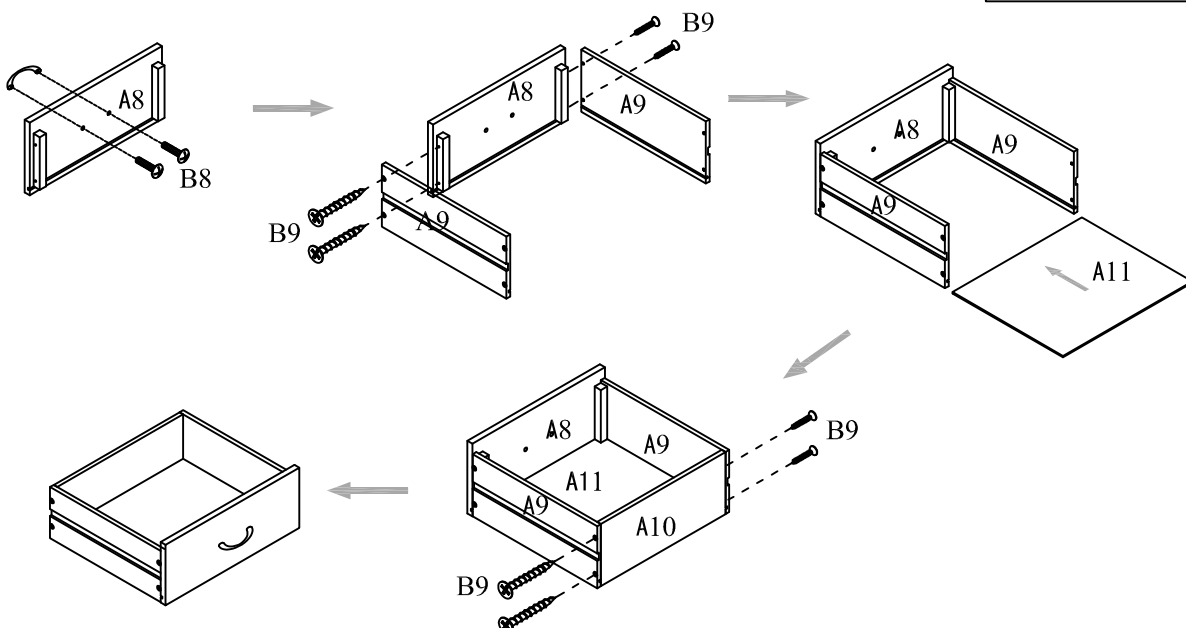


Line up the back panels A6 & A7 ,then tighten them onto the back of this unit with screws B5 from top to bottom. Attach the Anti-tip Kit (plastic strap) B13 to the top of Back Panel A7 using included screw and washer.

Step 9

B9 :  24pcs

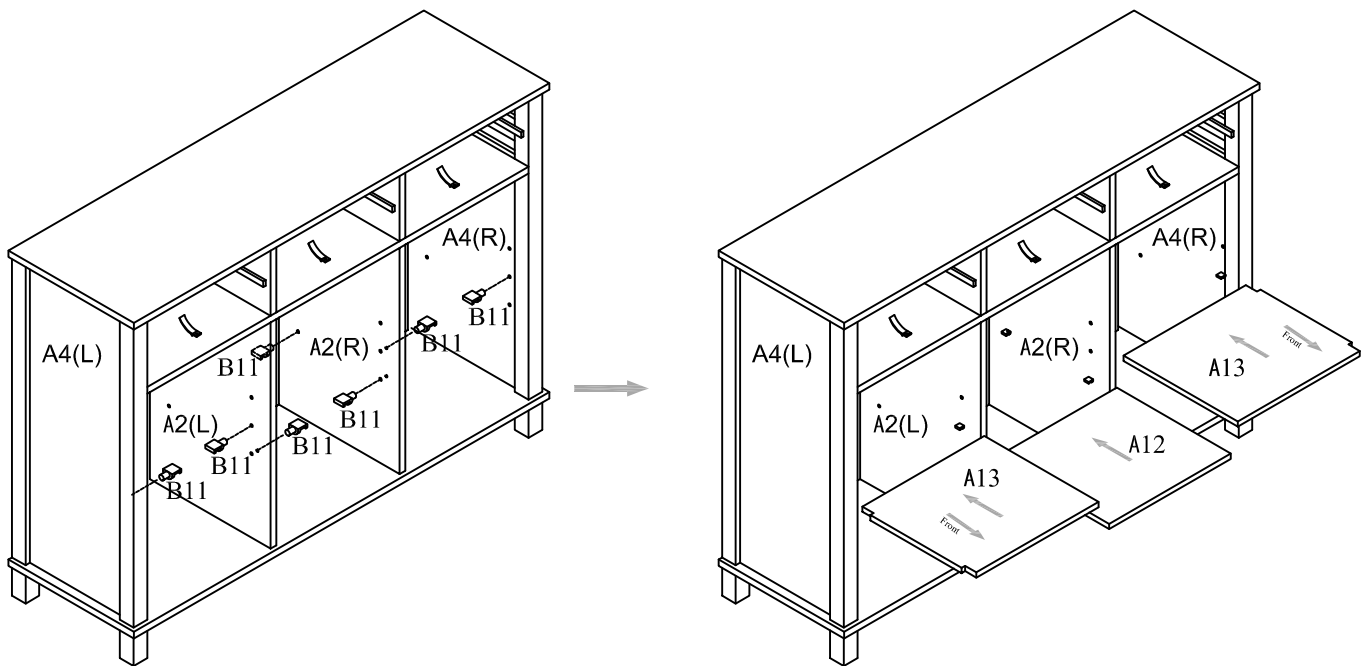
B8 :  3sets



- 1). Assemble the handles B8 to drawer front panels A8 using included bolts.
- 2). Assemble the drawer side panels A9 to drawer front panels A8 using screws B9.
- 3). Insert the drawer bottom panels A11 into the grooves of side panels A9 and the drawer front panel A8
- 4). Assemble the drawer back panels A10 to the side panels A9 using screws B9.

Step 10


B11 :  12pcs

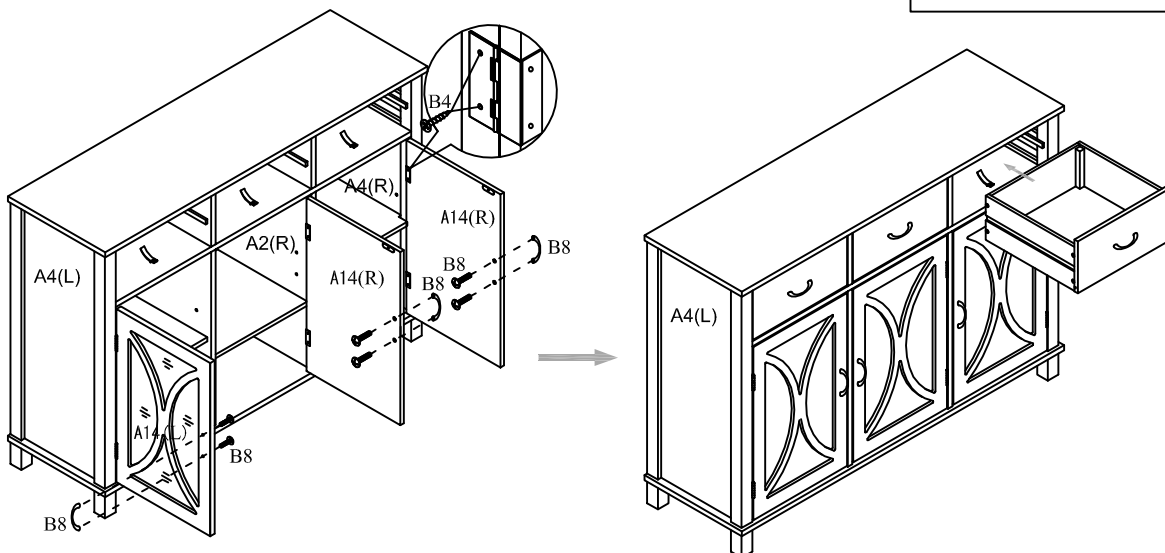


Insert the shelf supporters B11 into the holes of the side panels A4(R, L) and dividers A2(R, L), then put the adjustable shelves A12 & A13 onto the shelf supporters B11.

Step 11




B4 :  12pcs

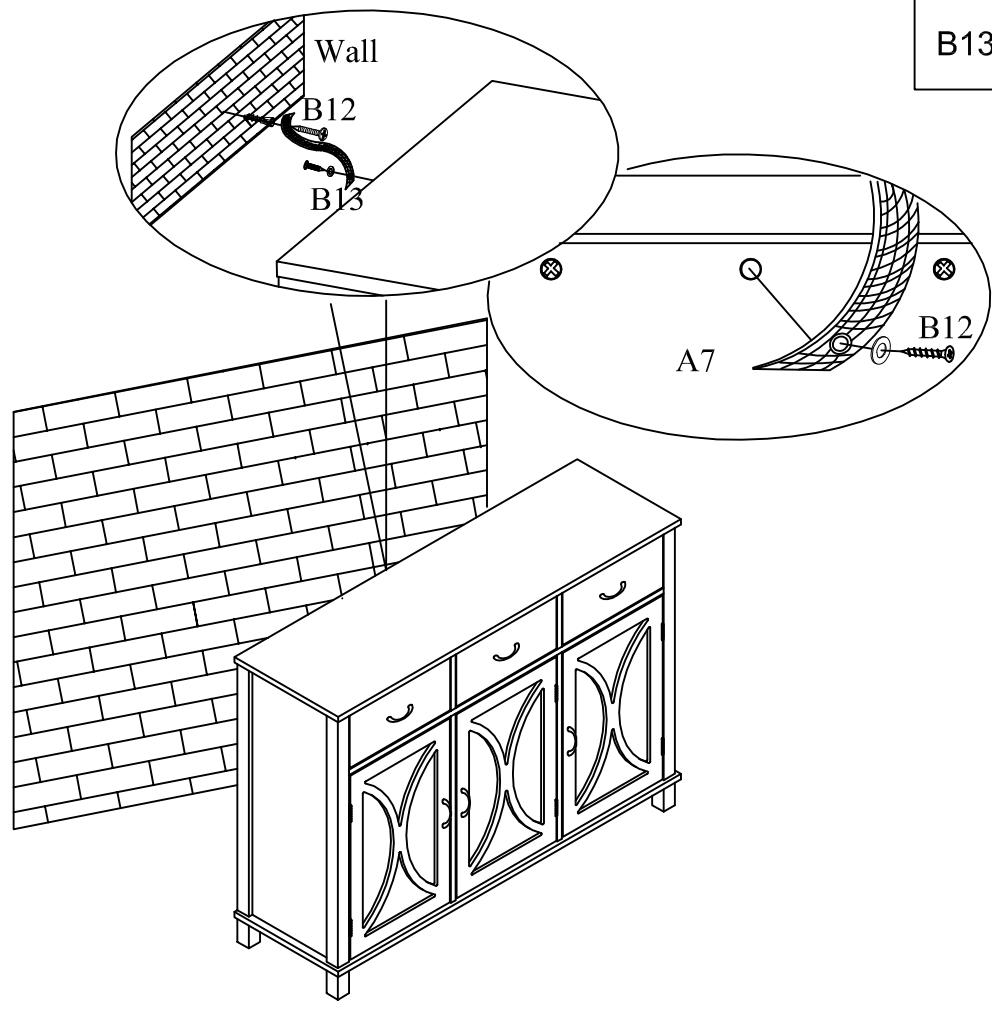
B8 :  3sets



- 1). Assemble the doors A14(R, L) to side panels A4(R, L) and divider A2(R) using screws B4.
- 2). Assemble the handles B8 to doors A14(R, L) using included bolts.
- 3). Insert the drawers into this unit as shown above.

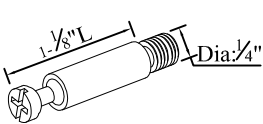
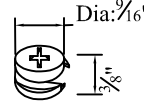
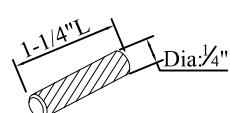
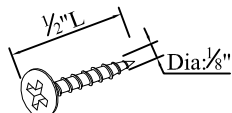
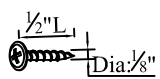
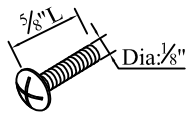
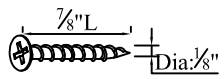
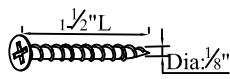
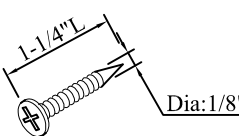
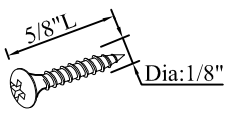
Step 12

- B12   1set
- B13 :  1set



For you safety, please attach this unit to the wall by the plastic anchors with screw B12 and Anti-tip Kit B13.

APPENDIX: Dimension of Hardwares in this AI.

<p>B1</p>  <p>Cam-bolt</p>	<p>B2</p>  <p>Cam-Lock</p>	<p>B3</p>  <p>Wood Dowel</p>	<p>B4&B6</p>  <p>Screw</p>	<p>B5&B7</p>  <p>Screw</p>
<p>B8</p>  <p>Bolt</p>	<p>B9</p>  <p>Flat head screw</p>	<p>B10</p>  <p>Long flat head screw</p>	<p>B12</p>  <p>Screw</p>	<p>B13</p>  <p>Screw</p>