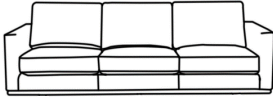


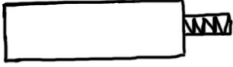






ASSEMBLY INSTRUCTIONS

SKU:CS83

Parts List

Label	Picture	Description	QTY
A		Sofa	1
B		Front leg-Left& Rear leg-Right (facing the sofa as the step 2 show)	2
C		Front leg-Right &Rear leg-Left (facing the sofa as the step 2 show)	2
D		Center Leg	1

Hardware

Label	Picture	Description	QTY
E		Metal Gasket	8
F		Spring Washer	8
G		Bolts	8
H		Allen Key	1

BEFORE BEGINNING ASSEMBLY:



Read instructions cover to cover



Have two adults on hand for assembly



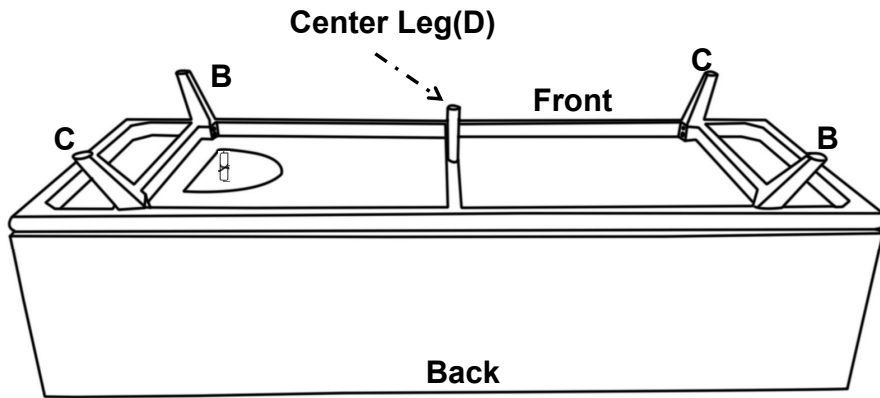
Do NOT assemble on flooring or carpet. Assemble on a clean non-marring surface (ex: packing foam)



Save all packaging until assembly is completed

Assembly Steps

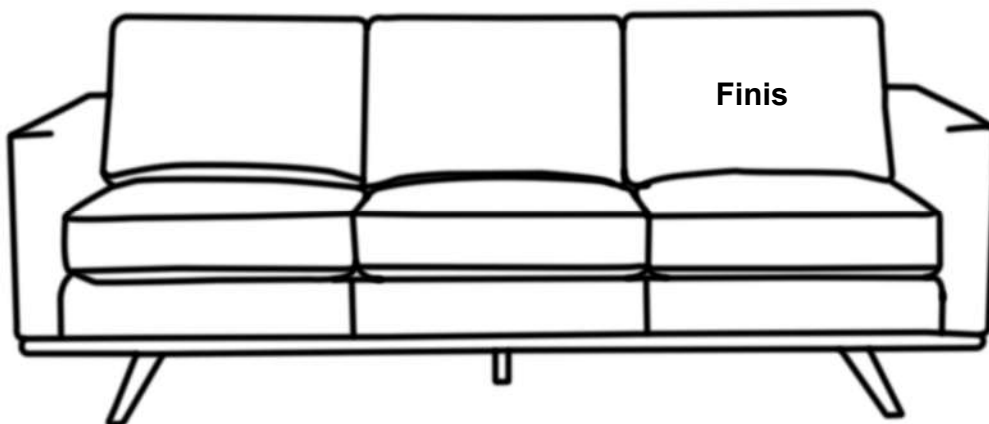
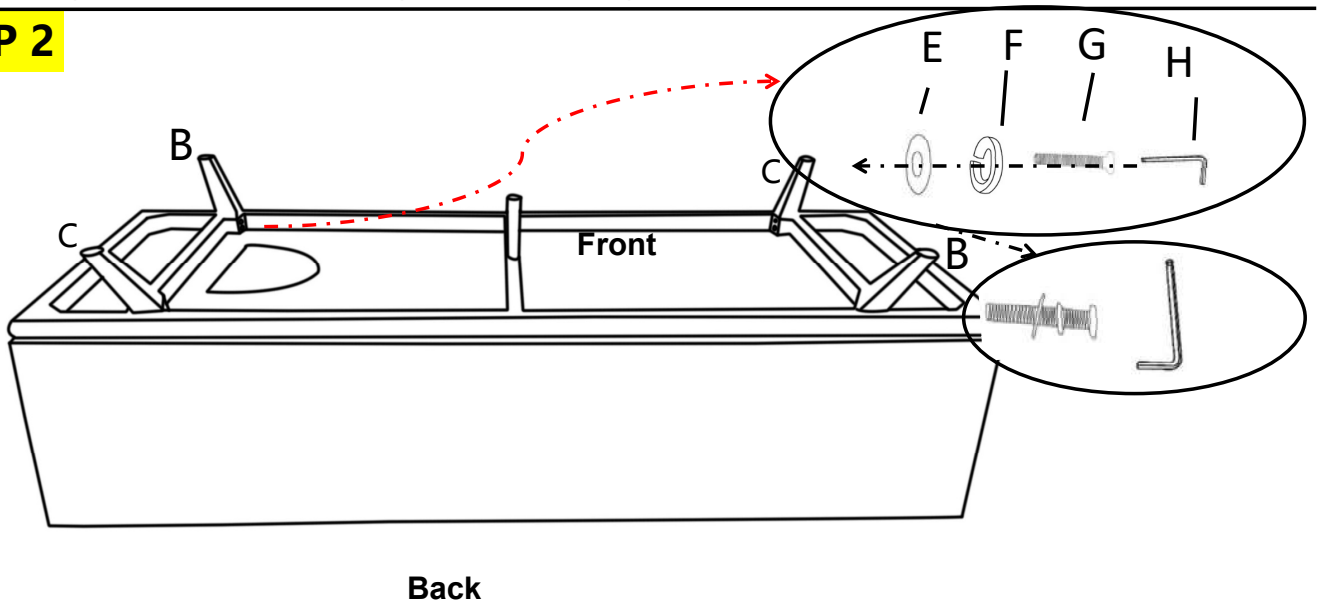
STEP 1



Open the pocket to remove the 5 legs, then close the pocket.

Position the chair upside down with the base upside down on top of the chair. Align the holes of legs with the assembly holes of the chair. Tighten by turning Center leg clockwise

STEP 2



NOTE: DO NOT TIGHTEN ANY BOLTS UNTIL ALL BOLTS HAVE BEEN STARTED!