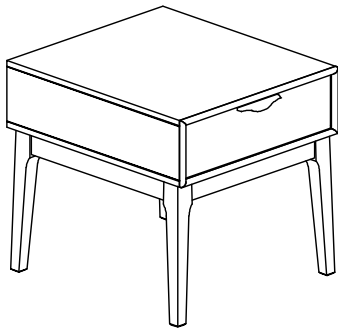


ASSEMBLY INSTRUCTION

Item No : T106-04

Description : END TABLE



IMPORTANT NOTE :

- Place all wooden parts on a clean and smooth surface such as a rug or carpet to avoid the parts from being scratched.
- Check to be sure that you have all parts and hardware.
- Remove all wrapping materials, including staples & packing straps before you start to assemble.
- Do not tighten all screws / bolts until all completely assembled.
- Keep all hardware parts out of reach of children.

PART LIST		
NO	DESCRIPTION	QTY/PCS
1	END TABLE	1 PC
2	LEG	4 PCS

HARDWARE LIST		
NO	DESCRIPTION	QTY/PCS
A	BOLT M8 x 60	8 PCS
B	SPRING WASHER M8	8 PCS
C	FLAT WASHER 5/16 x 22	8 PCS
D	ALLEN KEY M5	1 PC

REMARKS : YOU WILL ALSO NEED A PHILIP SCREW DRIVER (NOT PROVIDED)

