



ONE PIECE TOILET

Model: **LT4**

MPN: B0600

INSTALLATION INSTRUCTIONS



READ ALL INSTRUCTIONS BEFORE UNPACKING THE PRODUCT

INSTRUCTIONS THAT, IF IGNORED COULD RESULT IN DEATH OR SERIOUS INJURY CAUSED BY INCORRECT HANDLING OR INSTALLATION OF THE PRODUCT. THESE INSTRUCTIONS MUST BE OBSERVED FOR SAFE INSTALLATION.

CAUTION!



TWO PERSON LIFT REQUIRED

2 PEOPLE ARE REQUIRED TO LIFT AND DURING ENTIRE INSTALLATION OF THIS PRODUCT



INSTALLATION OF LESSCARE PRODUCTS BY AN INEXPERIENCED INSTALLER MAY RESULT PERSONAL INJURY OR DEATH!



LessCare reserves the right to change, update, modify, alter, redesign this manual/product or its policies without prior notice! It is your responsibility to visit website to download or contact customer service for the most updated version of the installation instructions.

LessCare shall not be liable for any injuries or property damages in connection with this product during installation or use of this product!

LessCare products must be installed by a fully insured and licensed plumber only. Installation of any LessCare product by anyone other than fully insured and licensed plumber shall void limited warranty. LessCare recommends that such licensed plumber have experience in the installation of products.

Limited warranty is void on any commercial installation

LessCare is not responsible for local code compliance for this product. Building and plumbing codes may vary from state-to-state in accordance to your location. LessCare is not responsible for providing any compliance certifications.

LessCare is not responsible to provide any type of certifications for this product

Under no circumstances LessCare shall not be liable for any and all incidental damages sustained in connection with this product

Neither manufacture, nor distributor, nor retailer is responsible for water damage or flood caused due to use of this product.

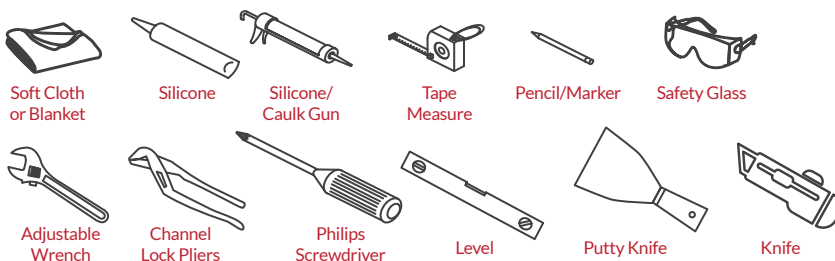
Under no circumstances LessCare shall not be liable for any and all fees, cost of installation/reinstallation/removal, subsequent damage or transportation in case of the product defect

TOILET COMPONENTS

During unpacking the product and prior to installation inspect your new product for any damages or missing parts. **Do not attempt to install or operate the product if the product is damaged.**

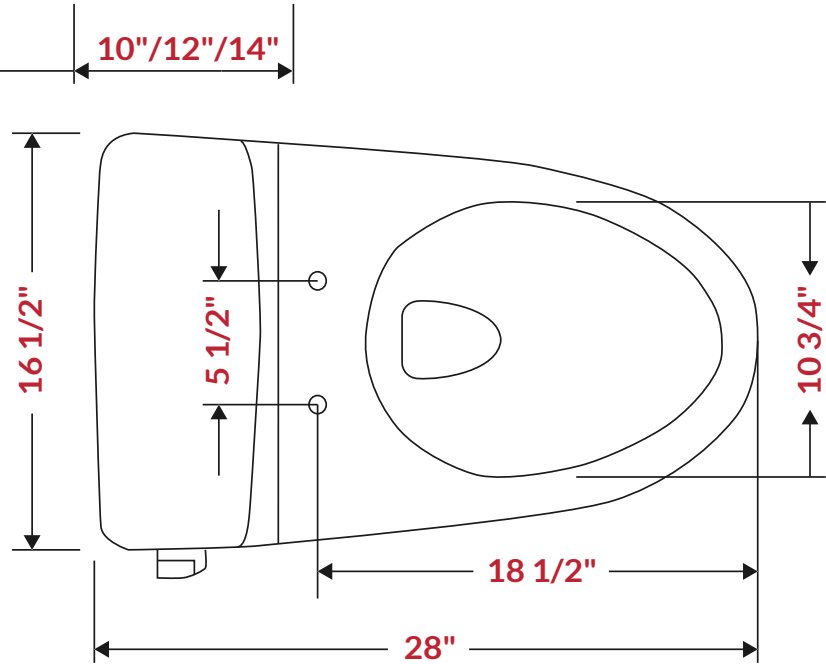
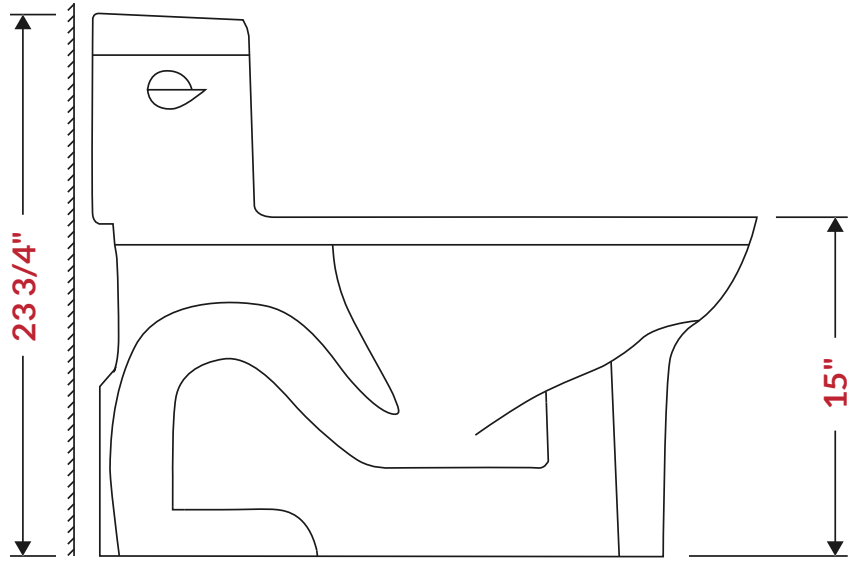
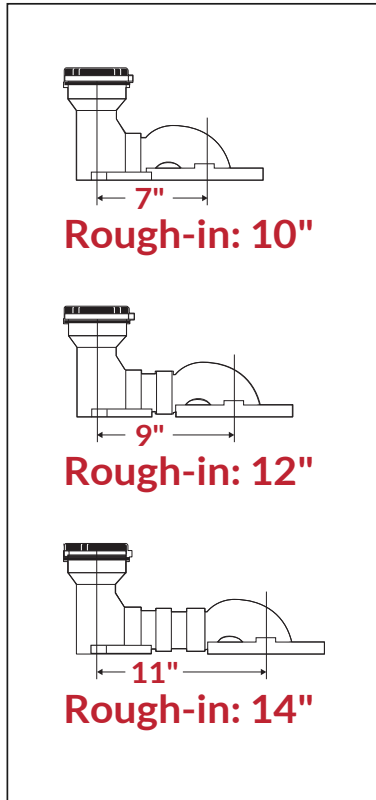
Bowl with lid x1	Mounting T-Bolt x2	Anchor x4
Toilet Seat Set x1	Seat Mount Bolts x1	Mounting Screw With Washer x4
Cover Plate x2	Adjustable Outlet x1	T-Bolt Nuts and Washers x2

TOOLS REQUIRED FOR INSTALLATION



OTHER TOOLS MAY BE REQUIRED

DIMENSIONS/TECHNICAL DATA

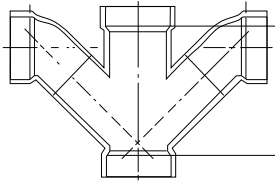


ATTENTION! Dimensions may vary by up to 3/8". It is highly recommended to pull all dimensions of actual model for installation and measuring purposes.

TECHNICAL DATA

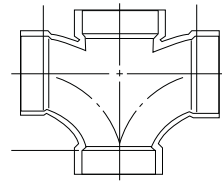
- Single flush: 1.28 GPF

BEFORE INSTALLATION



Yes

Double Combination
WYE / 1/8 Bend



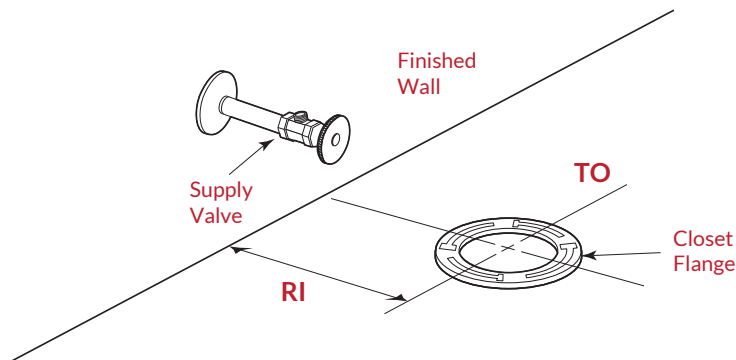
No

Double Sanitary
Tee / Sanitary Cross

PRE-INSTALLATION MEASUREMENTS



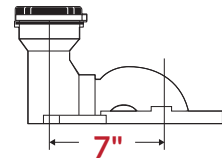
IN ORDER FOR YOUR NEW TOILET TO FIT CORRECTLY,
CHECK THE DIMENSIONS BELOW:



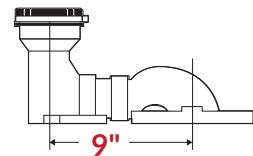
Please make sure that you have the correct
outlet connection parts:

The distance between the finished wall to the
center of the toilet outlet **TO** and rough-in **Ri**

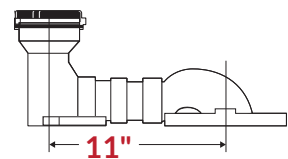
RI - 10"



RI - 12"



RI - 14"



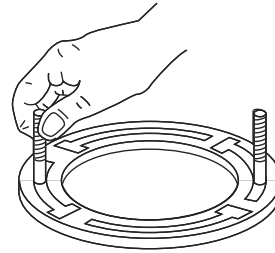
The water supply must be approximately 8 inches or 10 inches to the left (facing the bowl) from the center line of the closet flange and approximately 4-1/2" above floor.

INSTALLATION INSTRUCTIONS

INSTALLATION STEPS

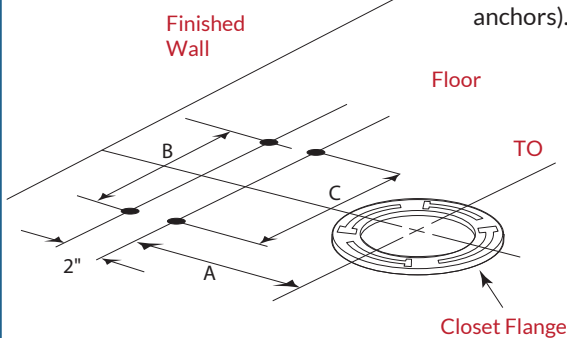
1

Clean any debris out of the closet flange, then install the mounting bolts into the slots of the flange. The bolt should be inserted into the slot with its head down and threaded shank pointed upward.



2

Drill four 11/64" holes on the floor at the location shown in the Uni-fit Rough-In installation instructions found in the Rough-In box. (5/16" holes are for concrete/tile floor anchors).

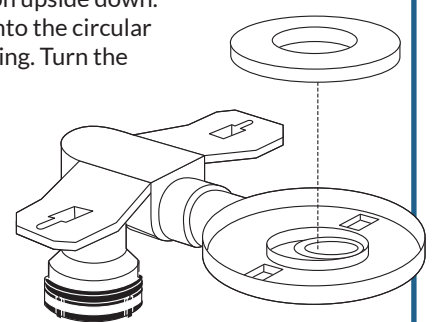


3

Turn the PVC outlet connection upside down. Firmly press a new wax seal onto the circular recess around the outlet opening. Turn the outlet connection upright and lower it into position over the closet flange. With the unit properly aligned, press down firmly to set the wax seal.

CAUTION: Do not move the outlet connection after the wax seal is set.

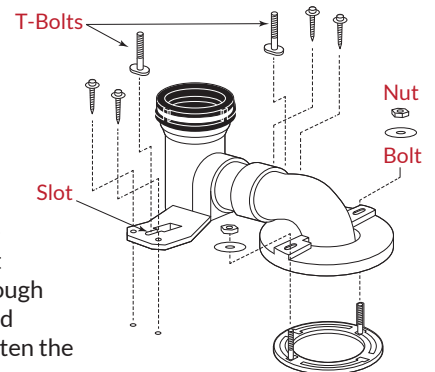
Wax Seal



4

Insert the washers and thread nuts onto the mounting bolts and hand-tighten. Then tighten bolts an additional 1/2 turn. Secure the back side of the outlet connection to the floor using the 4 screws and washers. Insert the T-bolts into the slots with the head down and threaded shank pointed upward.

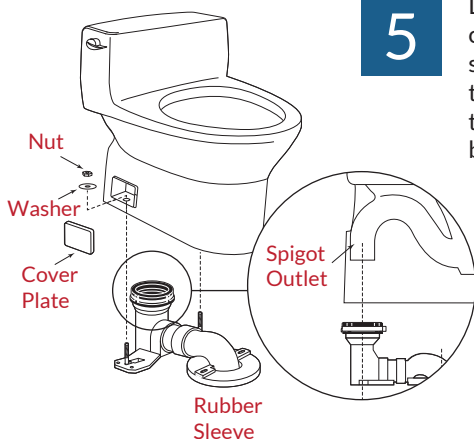
NOTE: Level the PVC outlet. Do not use excessive force.



5

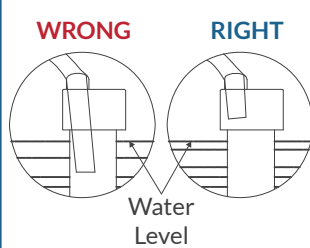
Lift the toilet and gently lower it into position over the closet flange. Make sure that the spigot outlet of toilet slips into the rubber sleeve and that the T-bolts fit through the openings in the base of toilet. Insert the washer and thread nuts onto the bolts and hand tighten. Then tighten the bolts an additional 1/2 turn. Install the cover plates.

WARNING! Do not over-tighten the nuts. It may result in damage to ceramic bowl or plastic parts.





TROUBLESHOOTING

Issue	Cause	Solution	Solution #4
Water level is too high or too low	Improper water level adjustment	Adjust the water level	
Fill valve fails to shut off or fails to fill the water into the toilet's tank	<ol style="list-style-type: none">1. Inlet valve switch is turned on.2. Inlet valve float crashed against ceramic wall3. Filter screen is clogged due to dirty water4. Improper refill hose installation	<ol style="list-style-type: none">1. Turn on inlet valve switch2. Adjust inlet valve position3. Clean the filter screen4. Install refill hose correctly (see diagram on the right)	

MAINTENANCE & CARE

Use soft sponges or soft-cloths to clean the surface. Always rinse thoroughly any cleaning solutions immediately after cleaning. Do not any chemical remain on the surface for extended periods of time.

IMPORTANT!

DO NOT USE: Abrasive cleaners such as: acid, ammonia, bleach, and similar solutions. Use of such solutions may cause corrosion, finish peeling, and/or dull the surface.

DO NOT USE: Abrasive sponges or cloth. Never use steel, wool, or wired brushes that will permanently scratch the surface.

FILL/FLUSH VALVES MAINTENANCE & CARE

Do not pour any amounts of chlorine or any other chemicals into the tank. Use of chemical products will result in damage to the fill valve and flush valve components and may cause flood and property damage

Note: fill and flush valves are maintenance free. No maintenance is required.

Retain these installation instructions for future reference!

Thank you for using LessCare products!

