

**GOOSENECK FAUCET  
&  
FREESTANDING  
WATER SUPPLY LINES**

# INSTRUCTIONS

Before beginning, read the instructions below and follow all local plumbing and building codes.

Unpack and inspect your new faucet for any shipping damages and ensure no pieces are missing. If any damages are discovered, **DO NOT INSTALL.**

Please Contact Customer Service at 1(866)448-TUBS.

You may also call our Customer Service for any other assistance with our products.

SHUT OFF ALL WATER SUPPLY LINES AT THE TUB WHEN INSTALLING NEW FAUCET

## **TOOLS AND MATERIALS :**

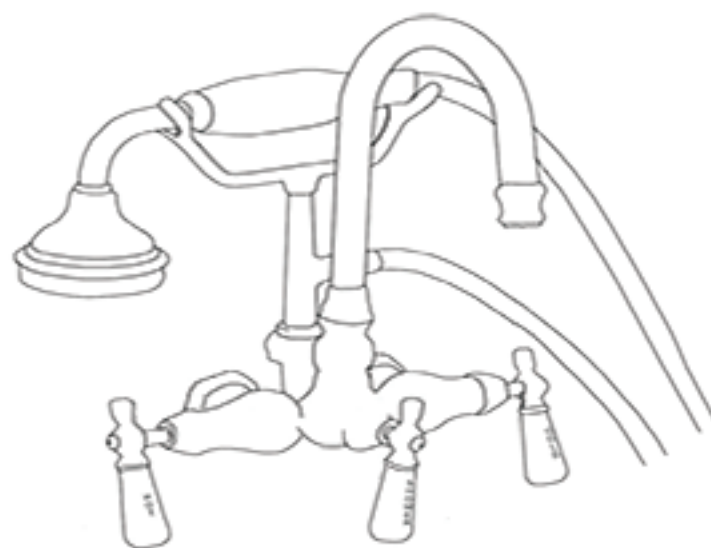
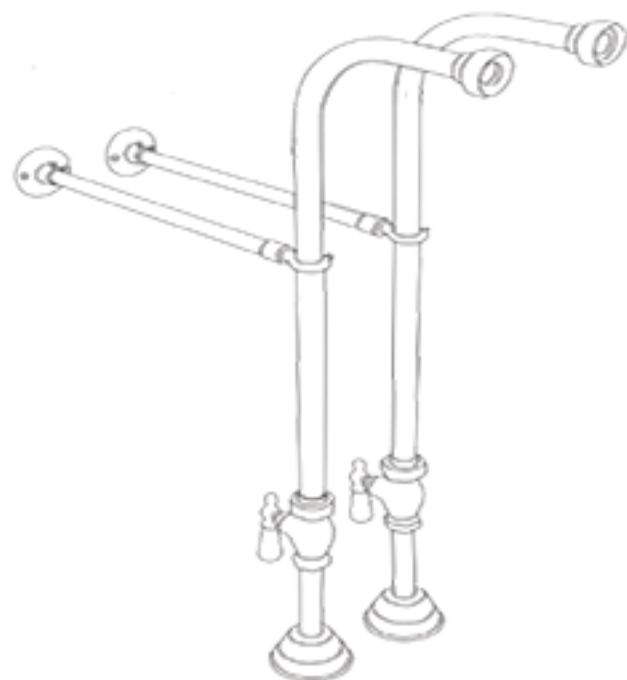
Adjustable Wrench

Basin Wrench

Hacksaw

Teflon Pipe Tape

Plumber's Tape



# INSTALLATION

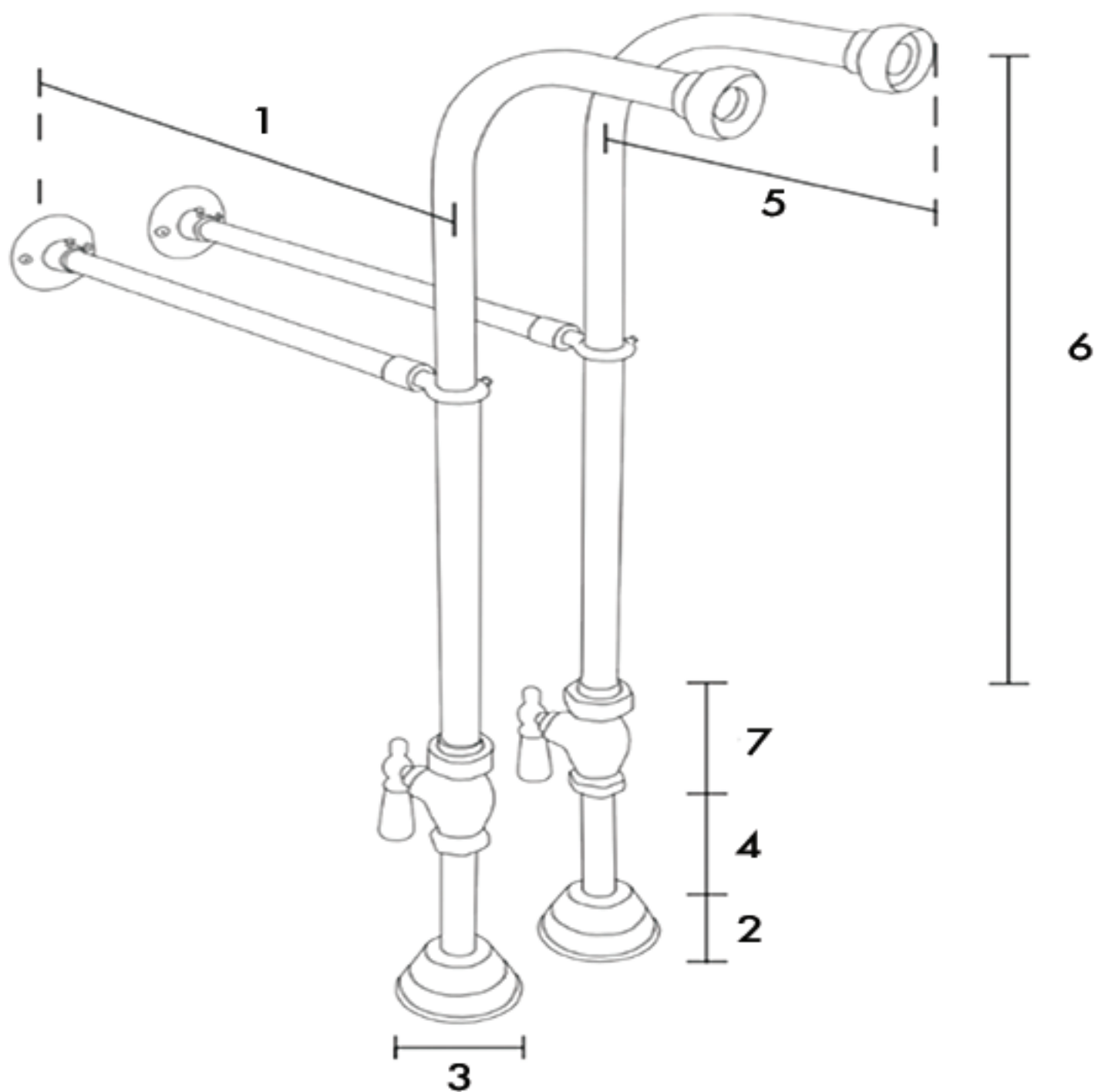
## Supply Lines

1. Shut off the water supply before installation.
2. (Three different sized nipples are included to fit the height of any installation)  
The connection to the floor is 1/2" IPS female. Use Teflon Tape around the threads of the nipple then tighten the 1/2" x 6" nipple to the floor and place the floor flange over the nipple and screw to floor with screws that have been provided.
3. Set screw floor flange in place to nipple.
4. Place the covering flange supplied over the flange in the floor.
5. Screw valve onto the top side of the nipple using Teflon Tape on its threads. (if applying the wall supports) Slide the 13/16" loops over the freestanding tubes and thread tubes into the top side of the valve using Teflon tape.
6. Place wall support tubes in place (5/8 x 12") and cut to fit your application on the non-threaded end and set screw flange then screw to the wall.
7. Apply Teflon tape to thread of union couplings and connect them to the end of the bent risers. Place rubber washer in the end of the union and connect your faucet to the freestanding supply tubes.

- (1) Brace : 13-1/2"
- (2) Flange : 1-3/4"
- (3) Flange : 3"

- (4) Nipple : 7-1/2"
- (5) Throw : 8"
- (6) Tube : 19-1/2"

- (7) Valve : 3-3/4"



# INSTALLATION

1. Before installation, shut off the water supply valves.
2. Apply Teflon tape on all threaded connections. If any pieces came together in shipping, take them apart and apply Teflon Tape to the threads before installation.
3. Insert faucet into the mounting holes of the tub and screw each locknut onto the threaded nipples & tighten to secure. (Do not over tighten)
4. Connect the spout to the faucet by screwing it on.
5. Place the water supply nut and washer onto each supply tube, insert supply tubes into inlet shanks and tighten the water supply nut with an adjustable wrench.
6. Place the washer inside the nut at the bottom of the hand shower cradle and connect the cradle to the faucet and then tighten.
7. Attach the hand shower hose to the outlet of the hand shower cradle and to the hand shower. Place the hand shower in the cradle.

- (1) Base : 2-1/2"
- (2) Centers : 3-3/8"
- (3) Handle : 3-1/2"

- (4) Hand Shower : 9"
- (5) Hose : 56-3/4"
- (6) Shower Head : 2-1/2"

- (7) Spout : 8" Reach
- (8) Total Height : 10-1/2"
- FLOW RATE : 9 gal/min

