

Pull-Down Spray Kitchen Faucet Model: VG02006

FEATURES

- Solid brass construction
- Spiral pull-down spray head
- Spray face that resist mineral build up
- Finish resist corrosion and tarnishing
- Ceramic disk cartridge
- 360 degree swivel spout
- Single hole construction
- Retractable sprayer - up to 20"
- Single lever sprayer and pot filler

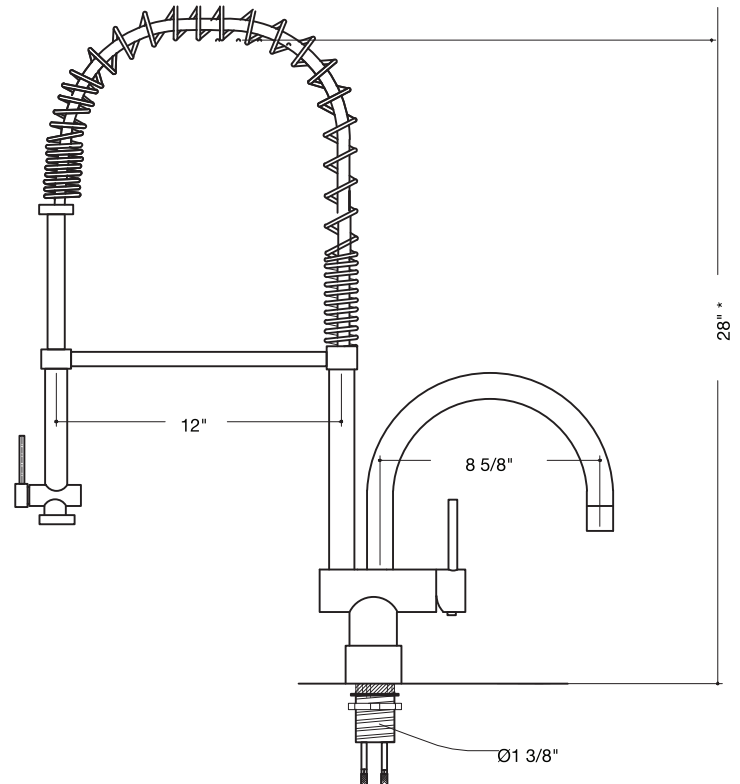
PACKING LIST

- Faucet Assembly
- Sprayer
- Allen Key
- Two Metal Braided Hoses
- Sprayer Hose
- Plastic Holder
- Spiral Neck

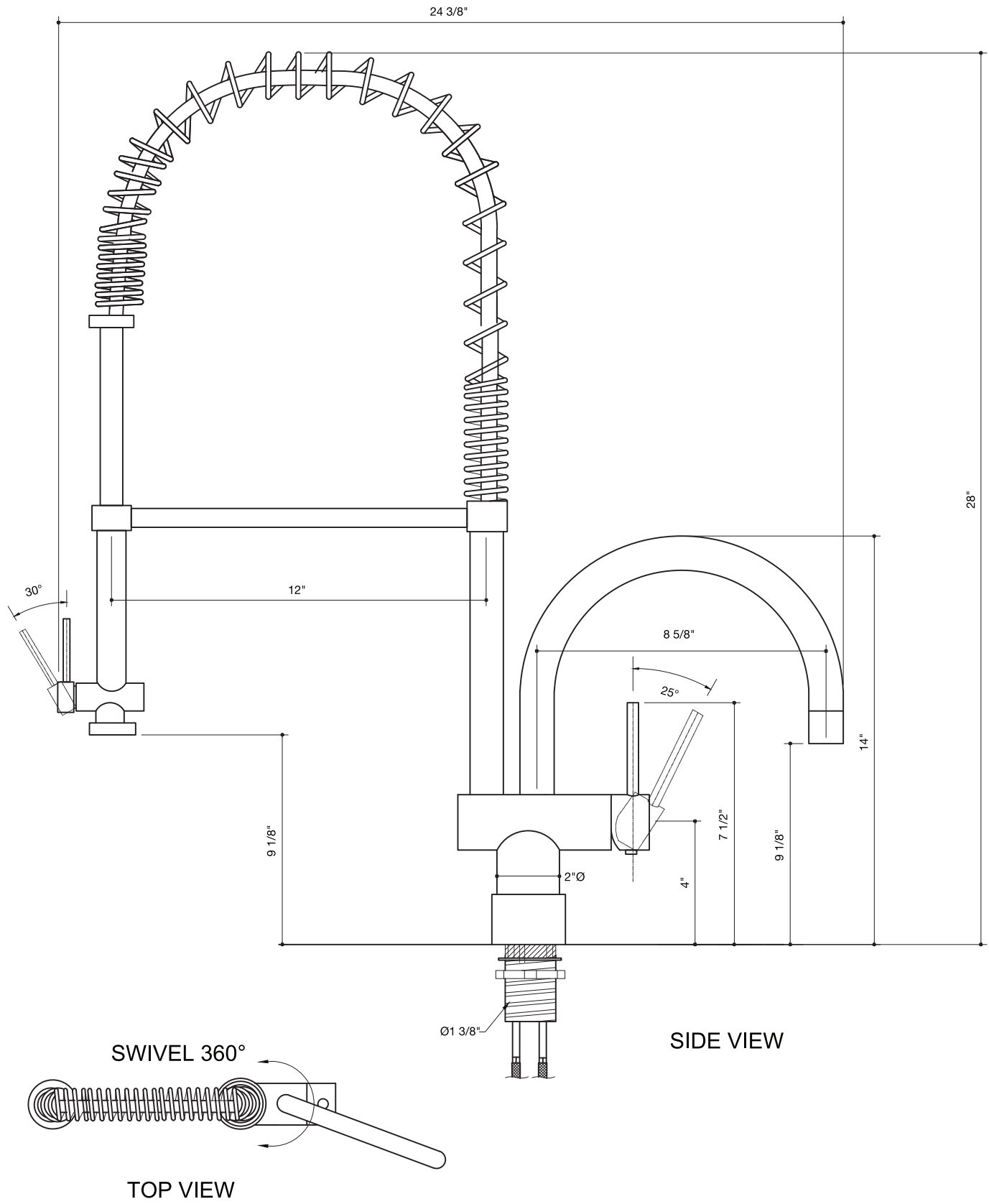


DIMENSIONS

MODEL #	HOLE DIAMETER	FAUCET HEIGHT	SPOUT REACH
VG02006	1 3/8"	28"	8 5/8"

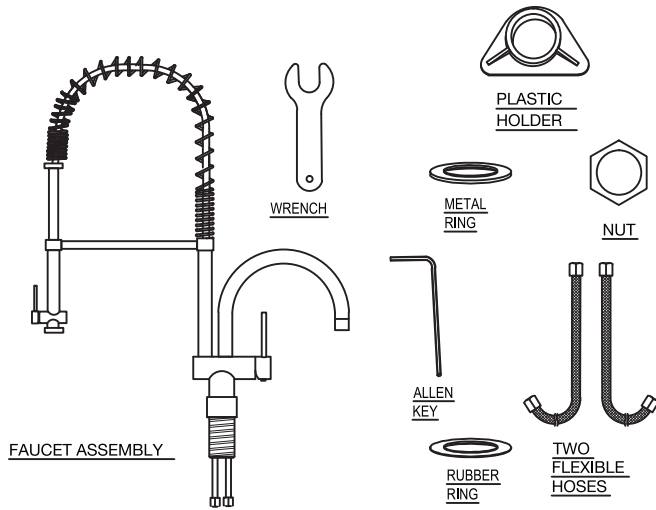


* = +/- 1"



THE MEASUREMENTS IN INCHES ARE ROUNDED TO THE NEAREST 1/8"

PACKAGE CONTENT



REQUIRED TOOLS

Adjustable wrench
 Allen key - supplied (to remove cartridge if needed)
 Plumber's putty - optional
 Pipe tape
 Flat screwdrivers

SAFETY TIPS

If you use soldering for the installation of the faucet, the seats, cartridges and washers will have to be removed before using flame. Damage caused by improper soldering will void the warranty. Protect your eyes with safety glasses when cutting or soldering water supply lines.

IMPORTANT POINTS

Prior to beginning installation, turn off the cold and hot water lines and open the hot and cold knobs on the old faucet to release pressure. When installing your new faucet, turn the connector nuts finger-tight, then use one wrench to anchor the fitting and a second wrench to tighten the nut. Connections that are too tight will reduce the integrity of the system, and potentially cause product failure which could lead to water damage. Wrap all threaded connections with pipe tape available at your local hardware or plumbing supply store. Always wrap in a clockwise direction.

Not all necessary supplies to install your faucet are included, however, they are available wherever plumbing supplies are sold.

Prior to installing the faucet please FLUSH THE HOT AND COLD WATER SUPPLY LINES that are or will be connected to the new faucet to remove scale, solder or their impurities which could damage the faucet and potentially void the warranty.

MAINTENANCE

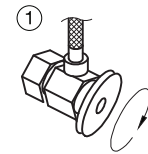
Your new faucet is designed for years of trouble-free performance. Keep it looking new by cleaning it periodically with a soft cloth. Avoid abrasive cleaners, steel wool and harsh chemicals as these will scratch, dull, and/or damage the finish and void the warranty.

INSTALLATION

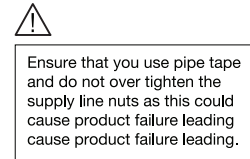
Installation must be done by a qualified licensed plumber. Prior to installation please read the instructions thoroughly, confirm that all parts are included and visually inspect the unit for any defects. If you have any questions please contact our Technical Support Department before proceeding with installation.

ASSEMBLY

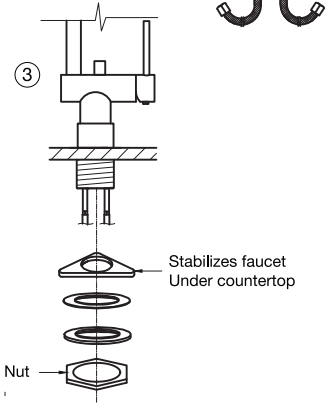
1. Shut off water supply. Remove the old faucet and flexible hoses. Clean sink surface with a non-abrasive cleaner in preparation for the new faucet.



2. Remove metal nut, rubber ring, and metal ring from the faucet. Attach metal-braided hoses to the faucet.

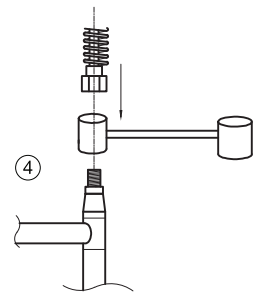


3. Position the faucet in the 1 3/8" countertop hole, from beneath the countertop hole assemble the plastic holder, rubber ring, and metal ring in the order depicted in the diagram. Then thread the metal nut onto the hollow pin. Tighten the metal nut until the faucet is secure.



Ensure that parts are assembled in the order as depicted in the diagram to prevent damage to faucet and supply lines.

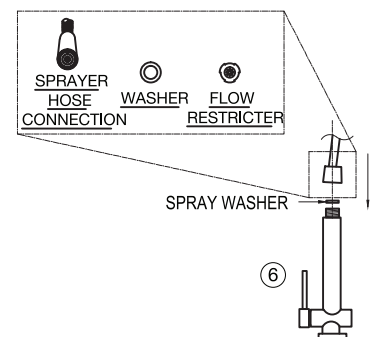
4. If the spray holder is not attached, attach the spray holder and spray hose to the faucet and tighten the screw until the spray holder is secure.



5. Feed spray hose through spiral neck ensuring the female sprayer connection is positioned toward the top of the spiral neck.

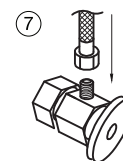
Attach male sprayer connection to the top of faucet body with an adjustable wrench until tight. Seat spiral neck into spray holder and firmly press down until secure.

Visually inspect male and female sprayer hose connections and faucet body to ensure the washers and flow restrictors are present. Missing or damaged washers and flow restrictors could cause personal injury or water damage.



6. Attach sprayer to the female connection of sprayer hose by hand and tighten until secure.

7. Attach the female connections of the metal braided hoses to the cold and hot water supply.



Ensure that you use pipe tape and adjustable wrench, do not overtighten as this could cause product failure leading to water damage.

8. After installation is complete, turn on the water supply and allow both hot and cold water to run separately for at least two minutes each. While water is running, check for leaks. It is important to view the connections at the male and female flexible hose connections. If leaks are detected, refer back to the instructions and adjust accordingly. Tightening nuts slightly may stop any minor leaks.

TROUBLESHOOTING

PROBLEM	POTENTIAL CAUSE	CORRECTIVE ACTION
1 - Leaks from handle	1.A - Cartridge unseated	1.A - Remove cartridge from housing, was thoroughly with hot water and reseal in housing.
2 - Insufficient flow rate	1.B - Cartridge defective	1.B - Contact VIGO Technical Support for replacement.
3 - Leak at connection points	2.A - Dirty aerator	2.A - Remove and soak / clean with a non abrasive agent (i.e. vinegar). 2.B - Remove sprayer or supply line and flush lines
4 - Loose spiral neck	2.B - Clog in supply hose / line	
5 - Loose faucet body	3.A - Sprayer hose not tight	3.A - Remove spiral neck by loosening the metal screw and pulling up on the spiral neck exposing the spray hose. Make sure the washer is seated properly and retighten with an adjustable wrench.
	3.B - Flexible hose leaking at body or connection point	
	4 - Metal screw is not locked into internal white washer hole location	3.B - Tighten hoses. If this does not resolve the issue, remove the flexible hose and rethread, checking to make sure the connection is secure. Make sure to use pipe tape.
	5 - Metal nut became loose	4 - Loosen metal screw, lift off the spiral neck and reseal making sure to thread the metal screw into the white washer housing.
		5 - From under the counter, use an adjustable wrench and tighten the metal nut to the hollow pipe. Make sure the faucet is perpendicular to the counter.

PARTS LIST - For any parts needed but not shown, please contact VIGO Technical Support

PART	PART #	SUPPLY DATE INDICATOR (INTERNAL USE ONLY)
Sprayer	78017	W
Spray hose	74017	W -
Handle Lever	78020A	W
Handle Set Screw	78020B	W
Handle	78020C	W
Sedal Cartridge	74040	W
Metal Braided hose	74020	W

TOLL FREE: (866) 591 - 7792

E-Mail: techmail@vigoindustries.com

www.vigoindustries.com

Modern faucets and showers consist of very different materials to comply with the needs of the market with regard to design and functionality. To avoid damage and reclamations, it is necessary to consider certain criteria when cleaning. Be sure to avoid using abrasive materials while cleaning VIGO products.

REGISTER YOUR PRODUCT

IN ORDER TO ACTIVATE YOUR WARRANTY
YOU MUST REGISTER YOUR PRODUCT

VIGOINDUSTRIES.COM/REGISTER/



ACTIVATE NOW

CLEANING INSTRUCTIONS FOR FAUCETS AND SHOWERS

Please follow the instructions on your cleaning materials. In addition, pay attention to the following points:

- Clean the faucets and showers as needed and when required.
- The amount of cleaning product needed and the time the cleaner needs in order for effective cleaning to take place should be adjusted according to products; cleaning product should not be left on VIGO product longer than necessary.
- Clean regularly to prevent calcification.
- When using spray cleaner, spray first onto a cloth or sponge - never directly spray onto the sanitary tapware as drops could enter openings and gaps and cause damage.
- After cleaning, rinse thoroughly with clean water to remove any cleaner residue.
- Recommended cleaning solution for hard water and soap scum is to use 50/50 water and vinegar solution.



NEVER SPRAY
DIRECTLY
ON TAPWARE



SPRAY ONTO
SPONGE/ CLOTH



CLEAN
REGULARLY



RINSE THOROUGHLY
WITH CLEAN WATER

CLEANING MATERIAL FOR FAUCETS AND SHOWERS

Acids are necessary ingredients of cleaning materials for removing lime, however, please pay attention to the following points when cleaning faucets and showers:

- Only use cleaning materials that are explicitly provided for this type of application.
- Never use cleaning materials that contain hydrochloric, formic or acetic acid, as they cause considerable damage.
- Phosphoric acid is also restricted as it can cause damage to the finish.
- Never mix any cleaning material with another.
- Never use cleaning materials that have an abrasive effect, such powdered and industrial cleansers, scouring pads or micro fiber cloths.

~~Hydrochloric~~

~~Formic~~

~~Acetic Acid~~

~~Phosphoric~~

Los grifos y las duchas modernas están fabricados con materiales muy diversos para cumplir con las necesidades del mercado en lo que tiene que ver con diseño y funcionalidad. Para evitar daños y reclamaciones, es necesario tener en cuenta ciertos criterios al limpiarlos. Evite el uso de materiales abrasivos al limpiar los productos VIGO.

REGISTRE SU PRODUCTO

ES NECESARIO REGISTRAR SU PRODUCTO PARA ACTIVAR SU GARANTÍA

VIGOINDUSTRIES.COM/REGISTER/



ACTIVATE NOW

INSTRUCCIONES DE LIMPIEZA PARA GRIFOS Y DUCHAS

Le rogamos seguir las instrucciones indicadas en sus productos de limpieza. Preste además atención a los siguientes puntos:

- Limpie grifos y duchas cuando sea necesario.
- La cantidad del producto de limpieza y el tiempo que necesita el limpiador para actuar eficazmente deben ser ajustados en función del producto utilizado. El limpiador no debe dejarse actuar sobre el producto VIGO más de lo estrictamente necesario.
- Limpie grifos y duchas regularmente para evitar la calcificación.
- Cuando use un limpiador en aerosol, rocíe el producto primero sobre un paño o esponja. Nunca rocíe directamente sobre el grifo, ya que las gotas podrían penetrar en aberturas y huecos y causar daños.
- Después de la limpieza, enjuague bien con agua limpia para eliminar cualquier residuo del limpiador.
- La solución de limpieza recomendada para agua dura y residuos de jabón es una solución de 50% de agua y 50% de vinagre.



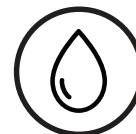
NUNCA ROCÍE DIRECTAMENTE SOBRE LA GRIFERÍA



ROCÍE SOBRE UNA ESPONJA/UN PAÑO



LIMPIE REGULARMENTE



ENJUAGUE BIEN CON AGUA LIMPIA

MATERIALES DE LIMPIEZA PARA GRIFOS Y DUCHAS

Los ácidos son ingredientes que los materiales de limpieza deben contener necesariamente para eliminar la calcificación. Sin embargo, preste atención a los siguientes puntos al limpiar grifos y duchas:

- Utilice únicamente materiales de limpieza creados explícitamente para este tipo de uso.
- Nunca use materiales de limpieza que contengan ácido clorhídrico, fórmico o acético, ya que causan daños considerables.
- El uso de ácido fosfórico también debe ser evitado, ya que puede dañar el acabado.
- Nunca mezcle un material de limpieza con otro.
- Nunca utilice materiales de limpieza que tengan un efecto abrasivo, tales como limpiadores en polvo e industriales, esponjas abrasivas o paños de microfibra.

~~Ácido clorhídrico~~

~~Ácido fórmico~~

~~Ácido acético~~

~~Ácido fosfórico~~

Les douches et les robinets modernes sont constitués de différents matériaux afin de répondre aux besoins du marché en matière de style et de fonctionnalité. Il est nécessaire de respecter certains critères afin d'éviter tout dommage ou toute réclamation. Évitez d'utiliser certaines matières abrasives lorsque vous nettoyez les produits VIGO.

ENREGISTREZ VOTRE PRODUIT

VOUS DEVEZ ENREGISTRER VOTRE PRODUIT
AFIN D'EN ACTIVER LA GARANTIE

[VIGOINDUSTRIES.COM/REGISTER/](https://vigoindustries.com/register/)



ACTIVEZ MAINTENANT

INSTRUCTIONS POUR LE NETTOYAGE DES ROBINETS ET DES DOUCHES

Bien vouloir suivre les instructions à propos des produits de nettoyage. De plus, portez une attention particulière aux points suivants:

- Nettoyez les robinets et les douches aussi souvent que nécessaire.
- La quantité de produits nettoyants requise et la durée du nettoyage pour être efficace devraient être ajustées selon les produits. Les produits de nettoyage ne doivent pas être laissés sur les produits VIGO plus longtemps que nécessaire.
- Nettoyez régulièrement afin de prévenir la calcification.
- Si vous utilisez un nettoyant à vaporiser, toujours le vaporiser en premier sur un chiffon ou une éponge. Ne jamais vaporiser directement sur la robinetterie car des gouttes pourraient pénétrer dans les ouvertures et les fentes et causer ainsi des dommages.
- Rincez à fond avec de l'eau propre afin d'enlever tout résidu de produit après le nettoyage.
- La solution nettoyante recommandée pour l'eau calcaire et les résidus de savon est une solution composée à 50% d'eau et à 50% de vinaigre.



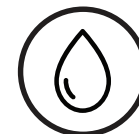
NE JAMAIS VAPORISER
DIRECTEMENT SUR
LA ROBINETTERIE



VAPORISEZ SUR
UNE ÉPONGE/UN CHIFFON



NETTOYEZ
RÉGULIÈREMENT



RINCEZ À FOND
AVEC DE L'EAU PROPRE

PRODUITS NETTOYANTS POUR ROBINETS ET DOUCHES

Les acides sont des composants nécessaires des produits nettoyants pour enlever le calcaire. Cependant, bien vouloir prêter attention aux points suivants lorsque vous nettoyez les douches et les robinets:

- N'utilisez que des produits nettoyants faits expressément pour ce type d'utilisation.
- N'utilisez jamais de produits nettoyants contenant de l'acide hydrochlorique, formique ou acétique car ils causent des dommages importants.
- L'acide phosphorique est aussi à éviter car il pourrait endommager le fini. Ne mélangez jamais un produit nettoyant avec un autre.
- N'utilisez jamais de produits nettoyants qui ont un pouvoir abrasif comme les poudres et nettoyants industriels, les tampons à récurer et les chiffons en microfibres.

~~Hydrochlorique~~

~~Formique~~

~~Acide acétique~~

~~Phosphorique~~

VIGO INDUSTRIES, LLC (“VIGO”) EFFECTIVE JANUARY 1, 2019

VIGO offers the following limited warranty on each of its KITCHEN FAUCET Products* (the “Product”). This warranty extends only to the original purchaser/end-user for personal household use and is not transferrable. For commercial use, additional limitations apply.

VIGO warrants the spray head assembly, hoses and all mechanical components to be free from defects in workmanship and materials under normal household use for the period of ONE (1) year from the initial date of purchase by the purchaser/end-user, contractor, or builder, from VIGO or an authorized VIGO Dealer.

VIGO warrants the cartridge to be free from defects in workmanship and materials under normal household use for the period of FIVE (5) years from the initial date of purchase by the purchaser/end-user, contractor, or builder, from VIGO or an authorized VIGO Dealer.

VIGO warrants the finish of the Product to be free from defects in workmanship and materials under normal household use for the lifetime of the product by the original purchaser/end-user.

Subject to the Warranty provisions below, any product reported to VIGO or an authorized dealer as being defective within the warranty period will receive replacement parts and/or troubleshooting assistance to correct the issue. If a replacement unit is deemed necessary by VIGO, the replacement will be made with the same model (or with a product of equal value). This warranty extends to the original purchaser/end-user and is not transferrable to a subsequent owner. Neither the distributor, authorized dealer, nor any other person has been authorized to make any affirmation, representation, or warranty other than those contained in this warranty. Products sold in “as-is” condition, closeouts, discounted, resale, return purchases or purchases made through non-authorized dealers are not covered under the terms of this warranty. Any affirmation, representation, or warranty other than those contained in this warranty shall not be enforceable against VIGO or any other person. VIGO reserves the right to modify this warranty at any time with the understanding that such modifications will not alter the warranty conditions applicable at the time of sale for the products in question.

LIMITATIONS

This warranty shall not apply to instances of incorrect operating procedures, breakages, or damages caused by fault through improper installation, carelessness, abuse, misuse, misapplication, improper maintenance, or alteration of the Product, as well as damage due to hard water, chemical or natural corrosion, accident, fire, flood, an act of God, or any other casualty. When cleaning, handling, and maintaining the Product, avoid abrasive cleaners, steel wools, and harsh chemicals as these will scratch, damage and/or dull the product and/or finish and void this warranty. The owner/end-user of the Product covered by the present warranty is entirely responsible for all labor costs, proper installation and any applicable plumbing or electrical wiring. VIGO neither installs nor supervises installation, nor hires contractors for this purpose. VIGO cannot be held responsible for any default, breakage, or damages caused thereby or resulting thereof, either directly or indirectly. The owner/end-user must provide requested images, photos, videos of the Product as described in the installation guide so that VIGO can properly troubleshoot and execute the warranty specified herein. All repair expenses and labor are the responsibility of the owner/end-user. This warranty does not apply to Products that have not been installed or operated in accordance with instructions supplied by VIGO and all applicable rules, regulations, and legislation pertaining to such installations. This warranty does not apply unless the VIGO Product is installed by a fully insured, licensed professional. VIGO strongly recommends that such licensed professional have experience in the installation of bathroom and kitchen products. Installation of certain products, including but not limited to glass products (i.e. shower doors and glass sinks) by an inexperienced person may result in glass breakage, and consequently may cause personal injury or death. VIGO is not liable for personal injuries or deaths to any persons or for any direct special, incidental or consequential damage, loss of time, loss of profits, inconvenience, incidental expenses, labor or material charges, or other costs resulting from the use of the Product or equipment pertaining to the application of the present warranty, or resulting from the removal or replacement of any product or element or part covered by this warranty.

EXCEPT AS OTHERWISE PROVIDED ABOVE, VIGO MAKES NO WARRANTIES, EXPRESSED OR IMPLIED, INCLUDING WARRANTIES OF MERCHANTABILITY AND FITNESS FOR A PARTICULAR PURCHASE OR COMPLIANCE WITH ANY CODE. VIGO cannot be held liable for any amount over and above the purchase price paid for the Product by the owner/end-user, contractor, builder, or other installation professional.

COMMERCIAL LIMITATIONS

In addition to the above conditions and limitations, the warranty period for the products installed for commercial applications or used in commercial ventures is ONE (1) year from the initial date of purchase by the owner/end-user, contractor, or builder from an authorized dealer. VIGO is not responsible for loss of use or profit under any circumstances. If the product is used as a display, the warranty period begins when the product is placed on display. This warranty gives the owner/end-user specific legal rights. The owner/end-user may also have other rights which may vary from one state or province to another.

WARRANTY CONDITIONS

In order to obtain the warranty provided, please contact the VIGO Product Support Department during normal business hours at **866-591-7792**, option 2 or via email at **SUPPORT@VIGOINDUSTRIES.COM**. VIGO will assist with troubleshooting and provide replacement parts as described above when the following conditions have been met: the failure is of the nature or type covered by the warranty; the user has informed VIGO of the nature of the problem during the warranty period; conclusive evidence (e.g. proof of purchase and images, video, etc.) is provided to the foregoing by the user proving that the failure occurred or was discovered within the warranty period. VIGO’s warranty obligation shall be discharged upon tender of replacement parts or product replacement. The customer’s refusal to accept the tender terminates VIGO’s warranty obligations.

*Certain models are pending approval.
Certification may be ended by VIGO or certification agencies without notice.

VIGO INDUSTRIES, LLC (“VIGO”)
VIGENCIA: 1 DE ENERO DE 2019

VIGO ofrece la siguiente garantía limitada para cada uno de sus Productos GRIFO DE COCINA* (el “Producto”). La presente garantía es otorgada únicamente al comprador/usuario final original y exclusivamente para uso doméstico personal, siendo intransferible. Existen limitaciones adicionales aplicables a un uso comercial. VIGO garantiza que los componentes mecánicos están libres de defectos en su mano de obra y sus materiales para un uso doméstico normal por parte del comprador/usuario final, contratista o constructor durante el período de UN (1) año a partir de la fecha inicial de compra a VIGO o a un Distribuidor Autorizado VIGO. VIGO garantiza que el acabado del Producto está libre de defectos en su mano de obra y sus materiales para un uso doméstico normal por parte del comprador/usuario final original durante toda la vida útil del producto. Sujeto a las siguientes disposiciones de la Garantía, cualquier producto señalado a VIGO o a un distribuidor autorizado como defectuoso dentro del período de vigencia de la garantía recibirá piezas de repuesto y/o asistencia para corregir el problema. En caso de que VIGO considere que es necesario reemplazar una unidad, la sustitución será realizada con el mismo modelo (o con un producto de igual valor). La presente garantía se extiende al comprador/usuario final original y no es transferible a un propietario posterior. Ni el distribuidor o vendedor autorizado ni ninguna otra persona han sido autorizados para realizar afirmaciones, declaraciones u otorgar garantías distintas de las contenidas en la presente garantía. Los productos vendidos en condiciones “tal como están”, liquidaciones, descuentos, reventas, compras de productos devueltos o compras realizadas a través de vendedores no autorizados no están cubiertos por los términos de la presente garantía. Cualquier afirmación, declaración o garantía otorgada que no esté contenida en la presente garantía no será oponible contra VIGO o cualquier otra persona. VIGO se reserva el derecho de modificar la presente garantía en cualquier momento en el entendimiento de que tales modificaciones no alterarán las condiciones de garantía aplicables al momento de la venta de los productos en cuestión.

LIMITACIONES

La presente garantía no será aplicable a los casos de procedimientos operativos incorrectos, roturas o daños causados por fallas debidas a una instalación incorrecta, descuido, abuso, mal uso, mala aplicación, mantenimiento incorrecto o alteración del Producto, así como por daños causados por agua dura, corrosión química o natural, accidente, incendio, inundación, fuerza mayor o cualquier otra fatalidad. Al limpiar, manipular y mantener el Producto, deberán evitarse los productos de limpieza abrasivos, las lanas de acero y los productos químicos agresivos, ya que pueden rayar, dañar y/u opacar el producto y/o acabado, anulando la presente garantía. El propietario/usuario final del Producto cubierto por la presente garantía es totalmente responsable de todos los costos de mano de obra, la instalación correcta y cualquier tubería o cableado eléctrico que puedan corresponder. VIGO no instala ni supervisa la instalación, ni emplea contratistas para este propósito. VIGO no se hace responsable de ningún incumplimiento, rotura o daño causado por lo anterior o como resultado de lo anterior, ya sea directa o indirectamente. El propietario/usuario final deberá proporcionar las imágenes, fotos y vídeos solicitados del Producto, tal como se describe en la guía de instalación, para que VIGO pueda solucionar el problema y cumplir adecuadamente con la garantía especificada en el presente documento. Todos los costos de reparación y mano de obra son responsabilidad del propietario/usuario final. La presente garantía no se aplica a los Productos que no hayan sido instalados u operados de acuerdo con las instrucciones proporcionadas por VIGO y todas las normas, regulaciones y leyes aplicables relacionadas con dichas instalaciones. La presente garantía no se aplica a menos que el producto VIGO sea instalado por un profesional totalmente asegurado y con licencia. VIGO recomienda encarecidamente que tales profesionales autorizados tengan experiencia en la instalación de productos de baño y cocina. La instalación de ciertos productos, entre otros pero sin limitarse a ellos, productos de vidrio (es decir, puertas de ducha y lavabos de vidrio) por una persona sin experiencia puede provocar la rotura del vidrio y, como consecuencia, causar lesiones personales o la muerte. VIGO no se responsabiliza por las lesiones personales o la muerte de ninguna persona ni por ningún daño directo especial, incidental o consecuente, pérdida de tiempo, lucro cesante, inconvenientes, gastos incidentales, costos de mano de obra o de materiales u otros costos que resulten del uso del Producto o equipo relacionado con la aplicación de la presente garantía o como resultado de la eliminación o reemplazo de cualquier producto, elemento o pieza cubierta por la presente garantía.

A MENOS QUE EN EL PRESENTE DOCUMENTO SE HAYA DISPUESTO LO CONTRARIO, VIGO NO OFRECE NINGUNA GARANTÍA, EXPRESA O IMPLÍCITA, INCLUIDAS LAS GARANTÍAS DE COMERCIALIZACIÓN Y APTITUD PARA UNA COMPRA EN PARTICULAR O EL CUMPLIMIENTO DE CUALQUIER CÓDIGO. VIGO no se hace responsable de ningún importe que supere el precio de compra pagado por el Producto por el propietario/usuario final, contratista, constructor u otro profesional instalador.

LIMITACIONES COMERCIALES

Además de las condiciones y limitaciones anteriores, el período de garantía para los productos instalados con fines comerciales o utilizados en empresas comerciales es de UN (1) año a partir de la fecha inicial de compra a un distribuidor autorizado por parte del propietario/usuario final, contratista o constructor. VIGO no se hace responsable por la pérdida de uso o de ganancias bajo ninguna circunstancia. Si el producto es utilizado para la exhibición, el período de garantía comienza cuando el producto es colocado en exhibición. La presente garantía otorga derechos legales específicos al propietario/usuario final. El propietario/usuario final también puede tener otros derechos, los que pueden variar de un estado o provincia a otro.

CONDICIONES DE LA GARANTÍA

Para obtener la cobertura de la presente garantía, le rogamos comunicarse con el Departamento de Servicio Técnico de Productos VIGO durante el horario laboral normal, llamando al 866-591-7792, opción 2 o por correo electrónico a SUPPORT@VIGOINDUSTRIES.COM. VIGO colaborará con la solución de problemas y proporcionará piezas de repuesto tal como se describe anteriormente cuando se cumplan las siguientes condiciones: la falla es de la naturaleza o tipo cubierto por la garantía, el usuario ha informado a VIGO de la naturaleza del problema durante el período de garantía, el usuario proporciona evidencia concluyente (por ejemplo, prueba de compra e imágenes, vídeo, etc.) demostrando que la falla ocurrió o fue descubierta dentro del período de garantía. VIGO quedará liberada de la obligación de cubrir la garantía cuando se entreguen las piezas de repuesto o el producto de reemplazo. La negativa del cliente a aceptar la oferta hará caducar las obligaciones de garantía de VIGO.

*Ciertos modelos están pendientes de aprobación.

La certificación puede ser cancelada por VIGO o las agencias de certificación sin previo aviso

VIGO INDUSTRIES, LLC (“VIGO”) EN VIGUEUR DÈS LE 1er JANVIER 2019

VIGO offre la garantie suivante sur chacun de ses produits ROBINETS DE CUISINE (les « produits »). Cette garantie ne couvre que l'achat par le propriétaire d'origine ou l'utilisateur final et ce, pour un usage domestique personnel, et n'est pas cessible. Des restrictions supplémentaires peuvent s'appliquer pour une utilisation commerciale du produit. VIGO garantit que les pièces mécaniques seront sans défaut de fabrication et de matériau et ce, lors d'une utilisation domestique normale, pour une période d'un (1) an à partir de la date initiale de l'achat effectué par le propriétaire, l'utilisateur final, le constructeur ou l'entrepreneur chez VIGO ou chez un vendeur VIGO autorisé. VIGO garantit que la finition du produit sera sans défaut de fabrication et de matériau et ce, lors d'une utilisation domestique Normale, pour la durée de vie du produit acheté par le propriétaire original ou l'utilisateur final.

Sous les dispositions de la présente garantie, tout produit retourné comme étant défectueux à VIGO ou à un vendeur autorisé pendant la période de garantie recevra des pièces de remplacement et/ou l'assistance nécessaire pour sa réparation. Si un remplacement est jugé nécessaire par VIGO, le produit de remplacement sera un produit du même modèle (ou un produit de valeur égale). Cette garantie ne s'applique qu'au propriétaire original ou à l'utilisateur final et ne sera pas cessible au propriétaire suivant. Ni le distributeur, ni le vendeur autorisé ou tout autre individu n'a l'autorisation de faire une confirmation, une déclaration ou une garantie autre que celle décrite dans la présente garantie. Les produits vendus dans un état « tel quel », en liquidation, en revente à rabais et les retours d'achats effectués chez des vendeurs non autorisés ne sont pas couverts par cette garantie. Toute confirmation, déclaration ou garantie autre que celle décrite dans cette garantie ne pourra être utilisée contre VIGO ou tout autre individu. VIGO se réserve le droit de modifier cette garantie en tout temps et il est entendu que ces modifications ne changeront pas les conditions de la garantie lors de la vente des produits en question.

RESTRICTIONS

Cette garantie ne sera pas en vigueur dans le cas d'une utilisation inadéquate, de bris ou de dommage causés par une installation défectueuse, une négligence, une violation, une mauvaise utilisation, une application fautive, un entretien déficient ou une modification du produit ainsi que par des dommages causés par de l'eau calcaire, une corrosion naturelle ou chimique, un accident, un incendie, une inondation, un cas de force majeure ou tout autre dommage. Lors du nettoyage, de l'entretien ou de la manipulation du produit, il faut éviter tout produit nettoyant abrasif, laine d'acier ou tout produit chimique fort car ils égratigneront, endommageront et/ou ébrécheront le produit et/ou sa finition, causant ainsi l'annulation de cette garantie. Le propriétaire ou l'utilisateur final du produit couvert par la présente garantie est entièrement responsable des coûts reliés à son installation et de l'installation d'une plomberie ou de câblage électrique adéquat pour le produit. VIGO n'installe ni ne supervise l'installation et n'engage pas des entrepreneurs à cet effet. Par conséquent, VIGO ne peut être tenu responsable de toute défectuosité, bris ou dommage causés de cette façon ou en résultant directement ou indirectement. Le propriétaire ou l'utilisateur final doit fournir les images demandées, des photos ou des vidéos du produit décrit dans le manuel d'installation afin que VIGO puisse résoudre le problème adéquatement et respecter la garantie décrite ici. Tous les coûts liés aux réparations et à la main d'oeuvre sont la responsabilité du propriétaire ou de l'utilisateur final. Cette garantie ne s'applique pas aux produits qui n'ont pas été installés ou utilisés selon les instructions fournies par VIGO ou selon toutes les règles, normes et législations relatives à ces installations. Cette garantie ne s'applique pas sauf si le produit VIGO a été installé par des professionnels entièrement agréés et assurés. VIGO recommande fortement que ces professionnels agréés aient de l'expérience dans l'installation de produits de salle de bain et de cuisine. L'installation de certains produits par un individu inexpérimenté, incluant mais sans se limiter seulement à des produits en verre (par exemple un comptoir en verre ou des portes de douche en verre) peut résulter en bris du verre et par conséquent, causer des blessures ou la mort. VIGO n'est pas responsable des blessures ou de la mort d'un individu ou de tout dommage indirect, spécial, fortuit ou conséquent, de perte de temps, perte de profits, contretemps, dépenses imprévues, frais pour des travaux ou de matériel ou tout autre coût résultant de l'utilisation du produit, de l'équipement sous la présente garantie ou résultant du retrait ou du remplacement de tout produit, pièce ou partie qui sont couverts par cette garantie.

VIGO NE FAIT PAS DE GARANTIES, EXPLICITES OU IMPLICITES, INCLUANT LES GARANTIES DE VALEUR COMMERCIALE ET D'ADAPTABILITÉ POUR UNE UTILISATION PARTICULIÈRE OU POUR COMPTABILITÉ, À L'EXCEPTION DE CE QUI EST DÉCRIT CI-DESSUS. VIGO ne pourra être tenu responsable en aucun cas d'un montant autre que le prix d'achat payé pour le produit par le propriétaire, l'utilisateur final, le constructeur ou l'entrepreneur ou tout autre installateur professionnels.

RESTRICTIONS COMMERCIALES

En plus des conditions et des restrictions mentionnées ci-dessus, la période de garantie pour les produits installés pour un usage commercial ou utilisés dans une entreprise commerciale est d'UN (1) an à partir de la date initiale de l'achat effectué par le propriétaire, l'utilisateur final, le constructeur ou l'entrepreneur chez un vendeur VIGO autorisé. En aucun cas VIGO n'est tenu responsable de perte d'utilisation ou de bénéfices. La période de garantie débutera lorsque le produit a commencé à être offert en démonstration, le cas échéant. Cette garantie accorde au propriétaire et/ou à l'utilisateur final des droits légaux spécifiques. Le propriétaire et/ou l'utilisateur final ont aussi d'autres droits pouvant varier d'une province ou d'un état à l'autre.

CONDITIONS DE LA GARANTIE

Bien vouloir contacter le service à la clientèle de VIGO durant les heures d'ouverture au 866 591-7792 (option 2) ou par courriel à SUPPORT@VIGOINDUSTRIES.COM pour obtenir la garantie fournie. Comme mentionné ci-dessus, VIGO pourra vous aider avec le dépannage ou le remplacement de pièces du produit si les conditions suivantes ont été remplies: le type ou le genre de défaillance est couvert par la garantie, l'utilisateur a informé VIGO de la nature du problème durant la période de garantie, des preuves tangibles (par exemple, une preuve d'achat, des images, vidéos, etc.) ont été fournis précédemment par l'utilisateur et prouvant ainsi que la défaillance est survenue ou a été découverte pendant la période de garantie. VIGO doit être libéré de son obligation de garantie lorsqu'il y a une offre de remplacement de pièces ou de produit. Le refus du client d'accepter cette offre met fin aux obligations de garantie de VIGO.

**Certains modèles sont en attente d'approbation.

VIGO ou les organismes de certification peuvent mettre fin à la certification sans préavis.