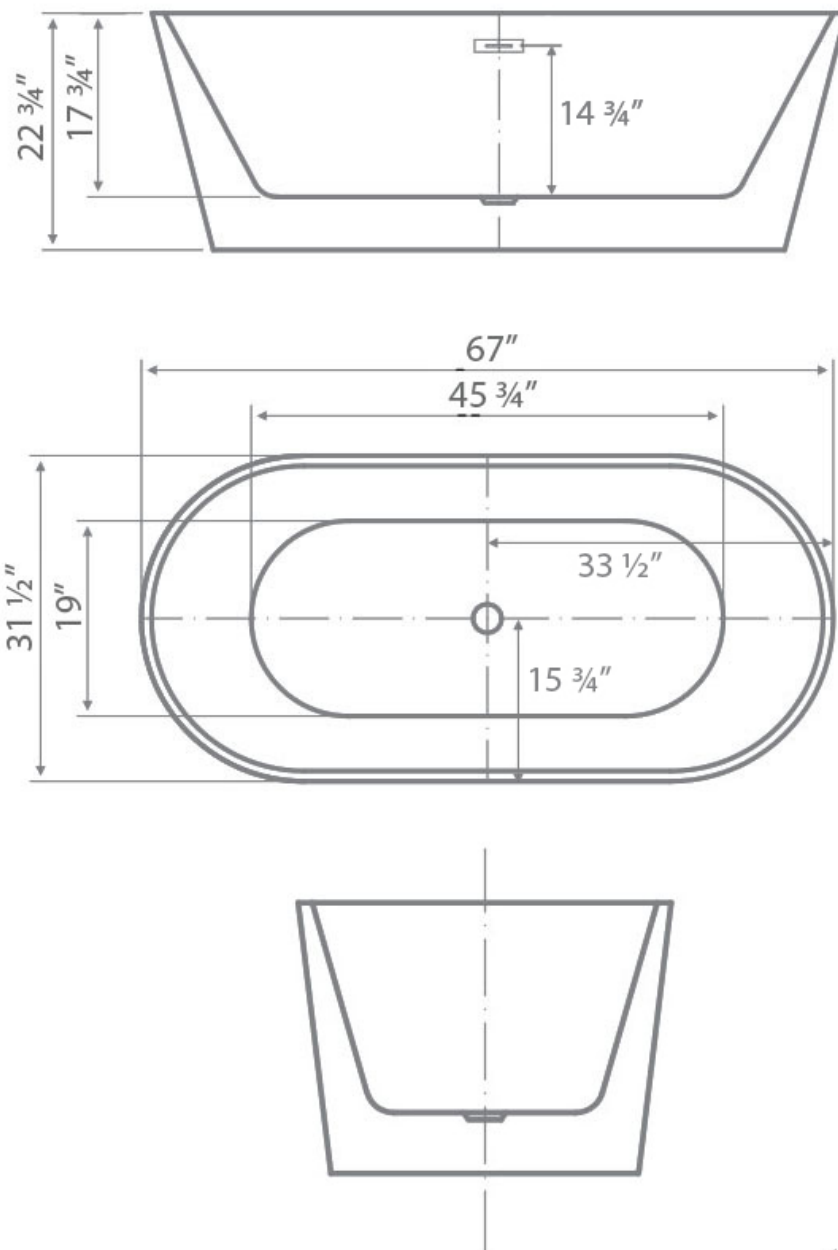


LUGANO 67"



tolerance on dimensions $\pm \frac{1}{4}"$