



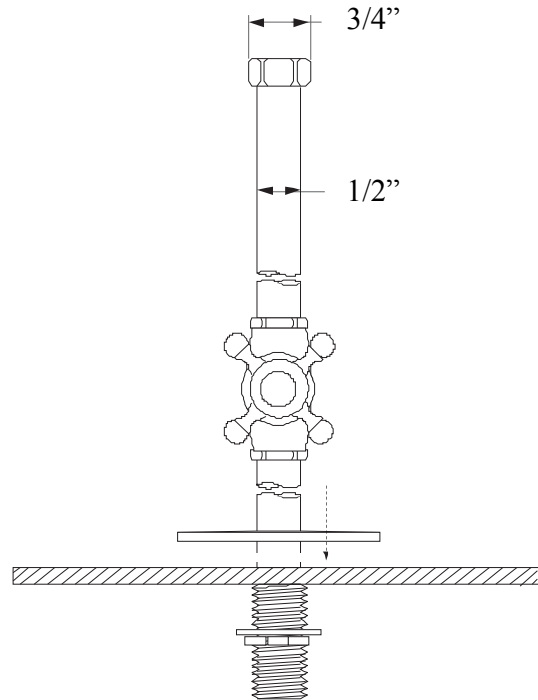
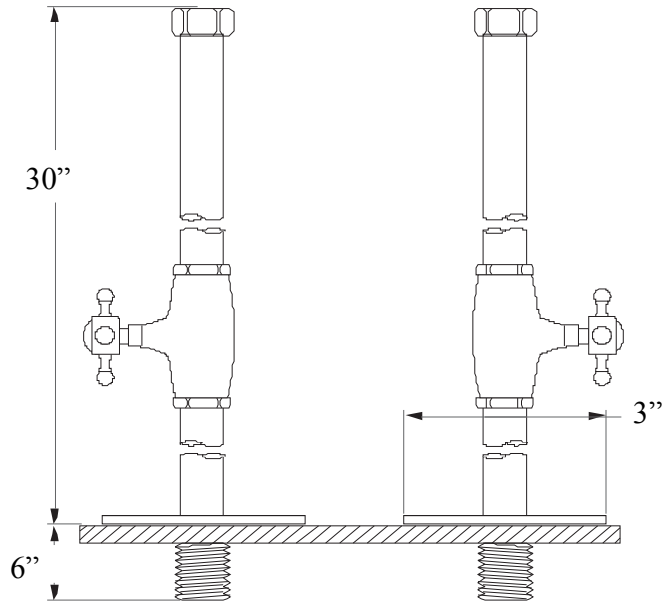
Model # 3411

INSTRUCTIONS

1. Before drilling holes in the floor, determine the width of the faucet supply nuts that you want to attach the riser tubes to. This measurement will determine how far apart you drill the holes in your floor. Now determine where your tub lip will be to make sure the faucet spout is at least 1" inside the tub lip.
2. Drill two 1-1/8" holes as per the measurements taken in step 1.
3. Screw the floor flange escutcheons all the way up the threads on the riser tube. They can be lowered if needed for more height.
4. Lower the riser tubes through the floor and position the stop valve handles to the desired position. Position the supply lines as desired and attach the flange to the floor with screws. Install the 3/4" or 1/2" fitting and attach them to the faucet. Tighten all nuts and connections to secure the riser tubes in place.
5. Connect the main water supply to the 1/2" – 14 NPSM threads below the floor
6. Pressure test the riser tubes before closing any wall or access panels.

NOTE: DO NOT BEND THE WATER SUPPLY LINES.

Tel : (800)-444-5969
www.cheviotproducts.com



CARE AND MAINTENANCE

Minimum Maintenance is required to maintain product finish. With proper maintenance your CHEVIOT Faucet will continually look like new. Special care should be taken when cleaning your faucet and the following suggestions should help extend your faucet life.

- a) Cleaning should be done regularly using a soft cotton cloth and warm water, then towel dry.
- b) Do not use cleaners that contain abrasives or harsh chemicals; Care should be taken in selecting cleaning supplies. Many cleaners contain detergents, ammonia, or other corrosive solvents that could damage your faucet finish.
- c) occasionally clean with a non-abrasive wax polish.