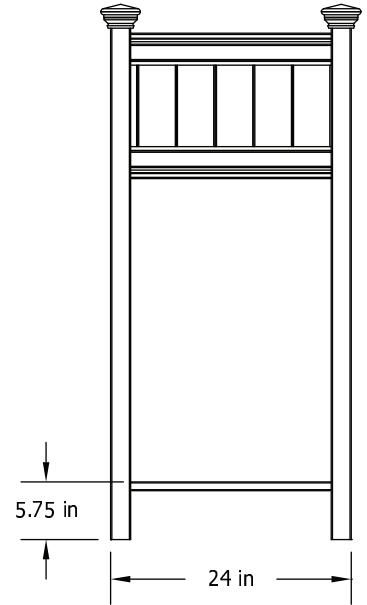
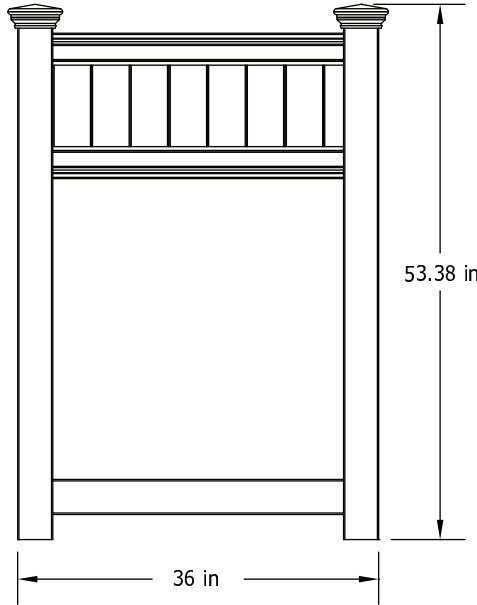
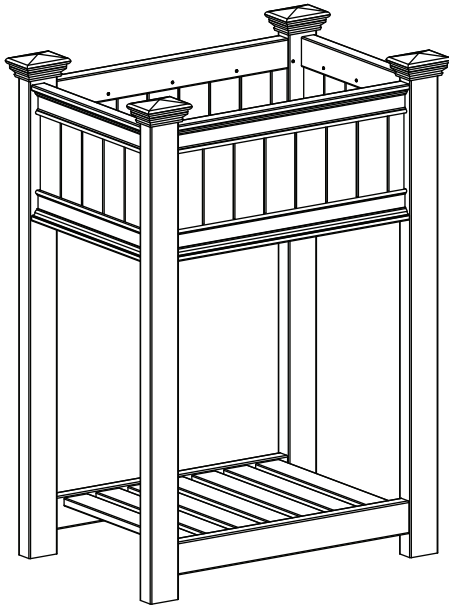


## Urbanscape Raised Planter Box

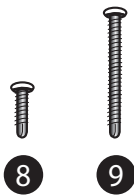
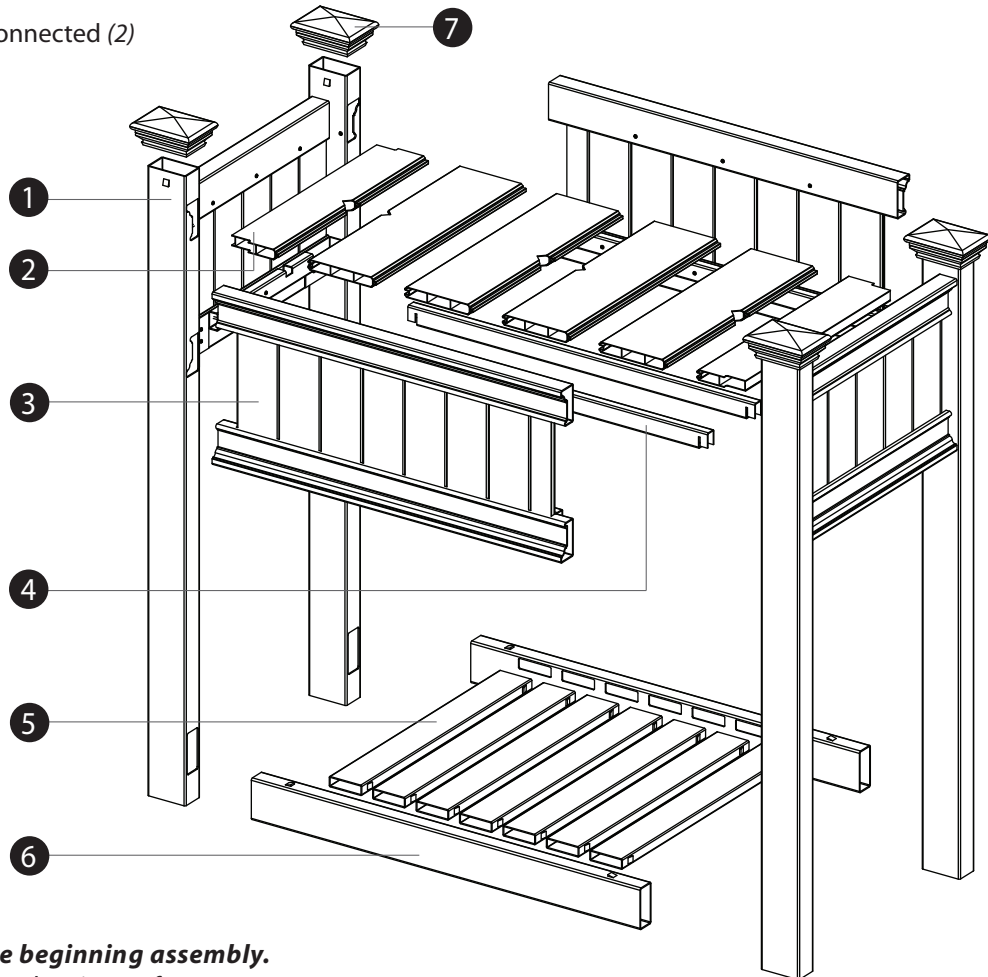


*Please read through before starting assembly.*

### Check Box for These Contents

In the event of missing or defective parts please call our customer service dept. at **1 800 282 9346, ext #20** (Mon. to Fri. 8:00 AM to 4:00 PM EST)

1. Pre-Assembled Side Wall Panels with Posts Connected (2)
2. Floor Panels (2)
3. Pre-Assembled Front and Back Wall Panels (2)
4. Floor Supports (2)
5. Shelf Boards (7)
6. Shelf Rails (2)
7. Post Caps (4)
8. 5/8 Stainless Steel Screws (4)
9. 1 1/2 Stainless Steel Screws (8)



Not to Scale

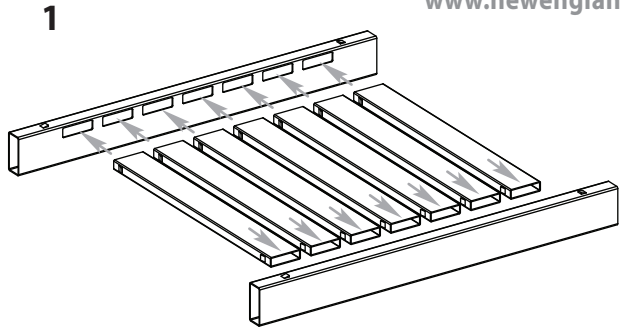
### General Information

- **Read Instructions through carefully before beginning assembly.**
- When assembling components, place on a non-abrasive surface (i.e. shipping box) to avoid scratching.
- We recommend an area approx 4'x 8' for unobstructed assembling.
- You should not need to use excessive force when assembling components.

**STEP ONE**

**1**

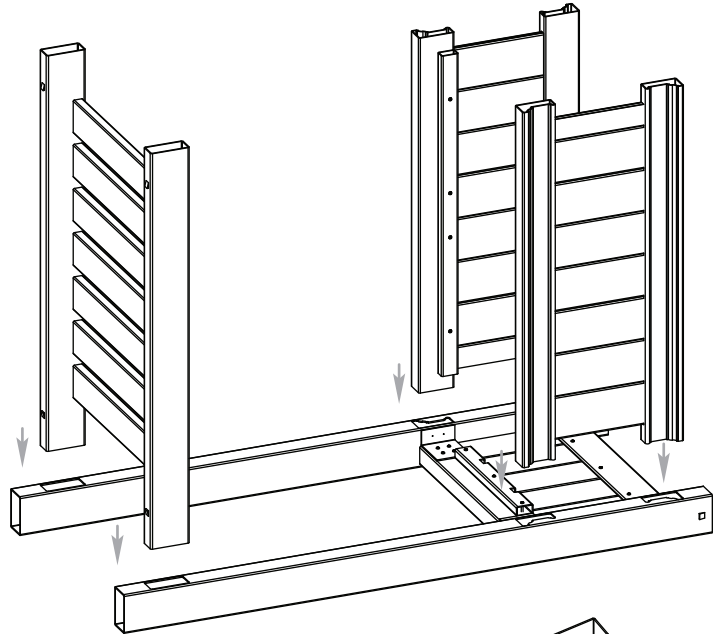
Insert the seven Shelf Boards into the Shelf Rails as shown aside. Note that there are tabs located at the ends of the Shelf Boards. Push Shelf Boards until tabs are locked into place.



**2**

Lay down one of the pre-assembled side panel with post down and insert the bottom shelf as well as the two front and back panels. Push the bottom shelf until the tabs lock into place.

**2**



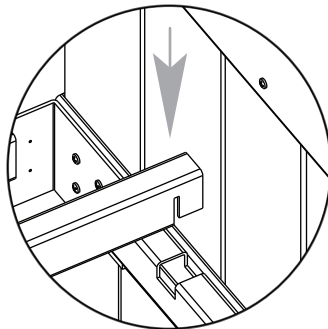
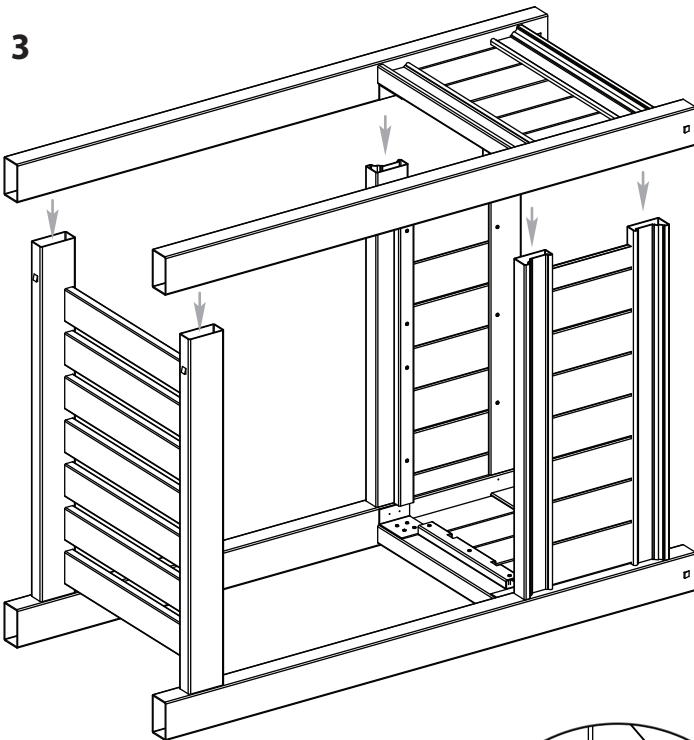
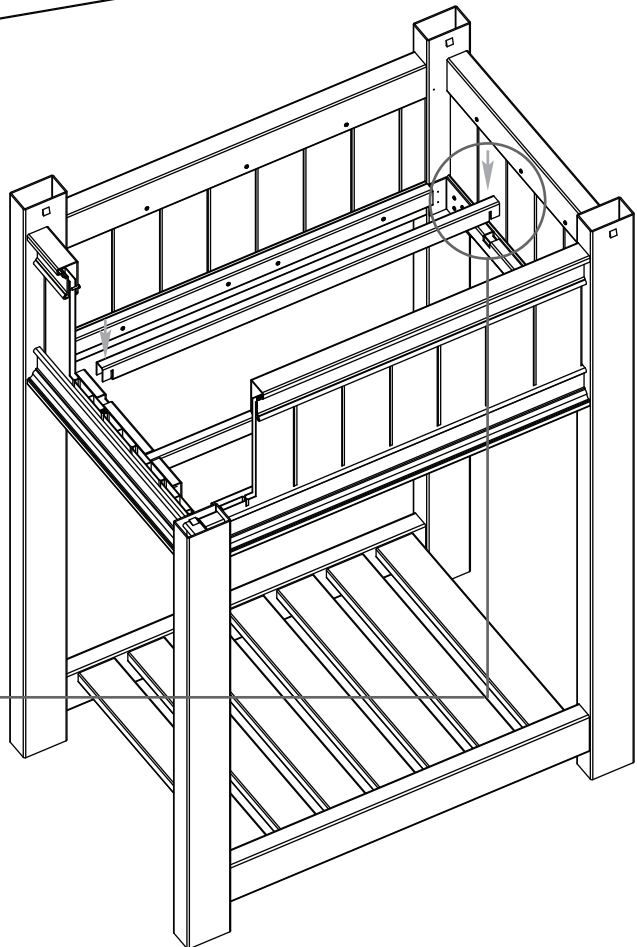
**3**

Align and insert the second pre-assembled side panel as shown. Push down until the bottom shelf rail tabs lock into place.

**4**

Carefully stand the planter box on it's legs and insert the two floor supports into place as shown.

**4**



# The Urbanscape Raised Planter Box

## STEP TWO

1

Fasten the Pre-assembled side panels to the front and back walls using two 1 1/2" screws for the bottom rails and one of the 5/8" screw for the top rail. Repeat for all four corners.

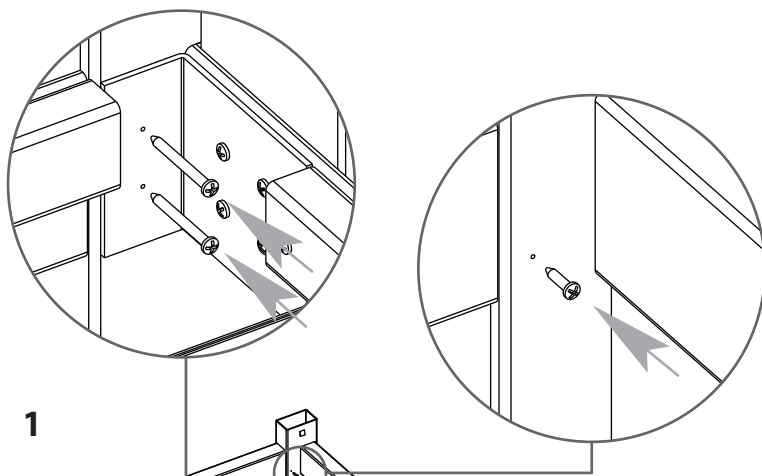
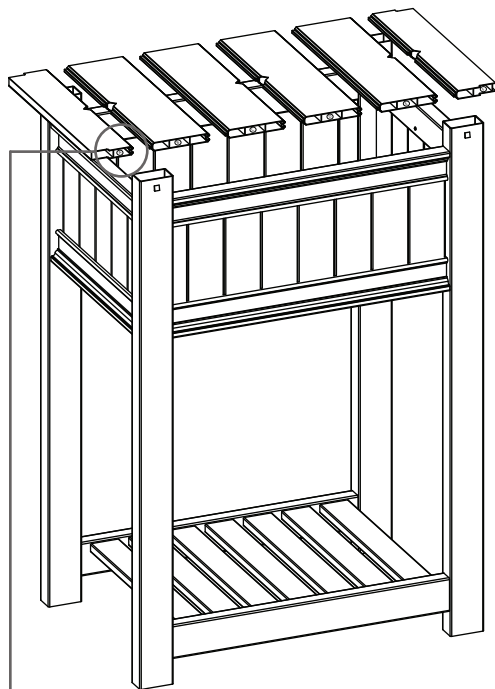
2

Layout and arrange the floor boards as shown and insert them one by one starting with either of the shorter floor board. The boards will be labelled A through F.

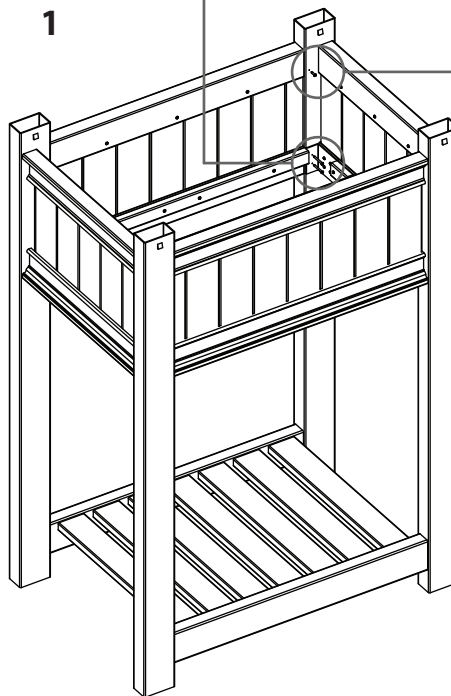
3

Pressure fit the post caps into place. Push until the caps lock into place.

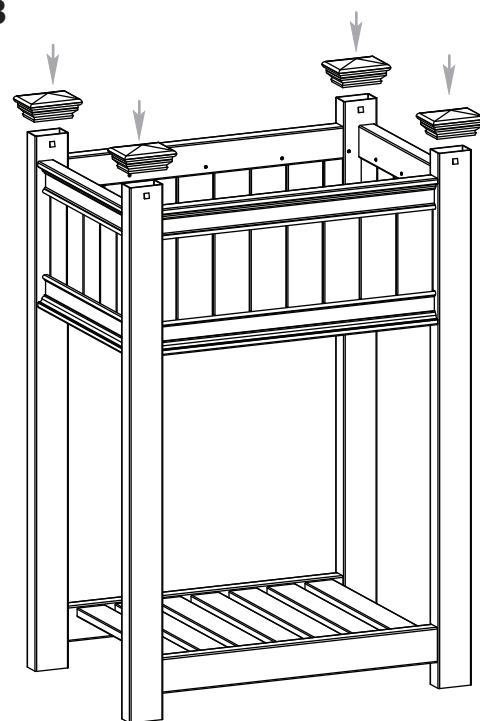
2



1



3



New England  
Arbors

Leadership by Design

www.newenglandarbors.com

## STEP THREE

1

To plant a hanging plant, remove two boards at a time and place the stem between the two boards as shown.

2

Join the two boards together, holding the root of the plant between the opening of the boards. Carefully lower the boards onto the floor supports.

3

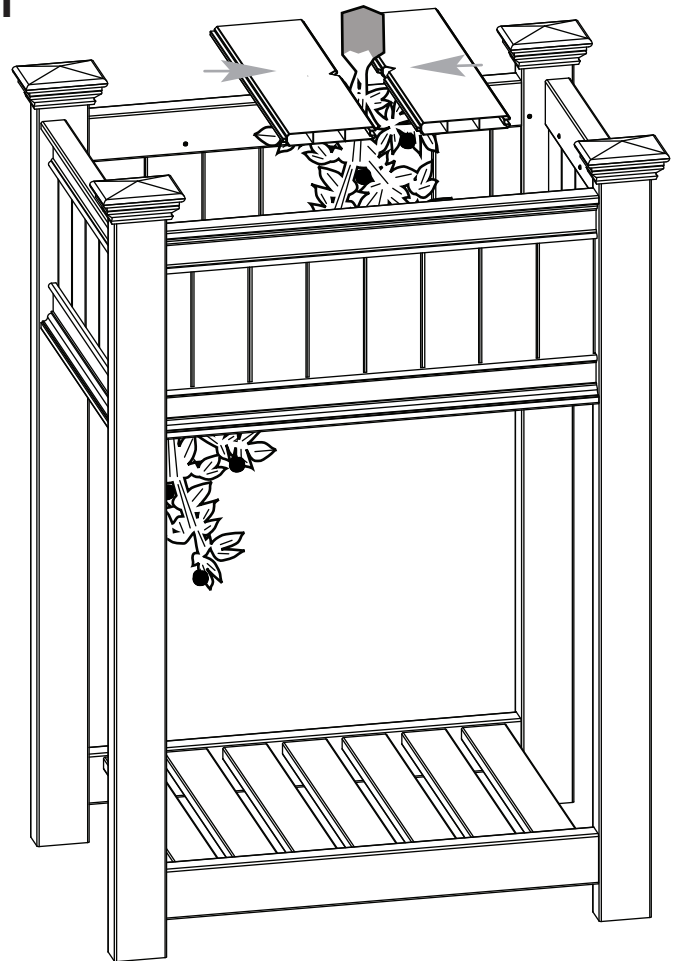
To prevent dirt and debris from falling through the gaps, cut a piece of landscape fabric large enough to fill the base of the planter as well as the sides. Cut slits in the fabric where the root of the plant is located so that the fabric can push down to the bottom of the planter and the root ball is not trapped under the fabric.

4

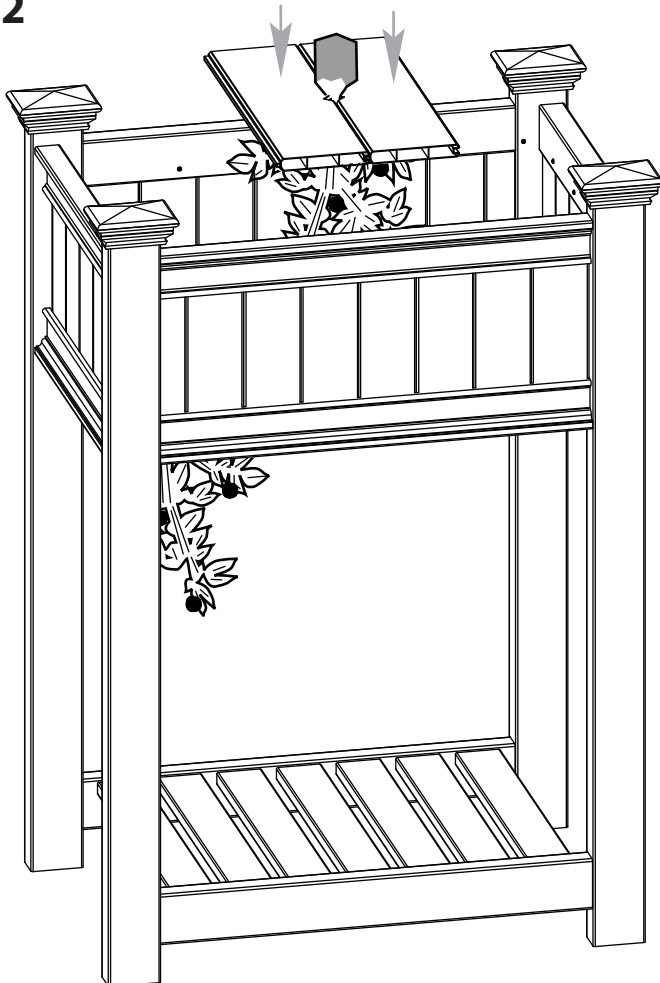
Fill the planter box with planting soil. Note to hold the landscape fabric against the inner walls while filling the planter box with soil. Trim excess fabric if necessary.

Smaller plants such as herbs could also be planted above the planter box.

1



2



4

