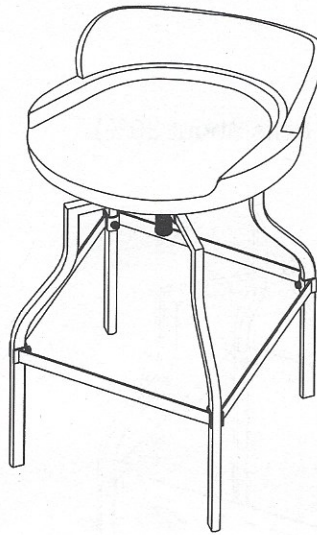


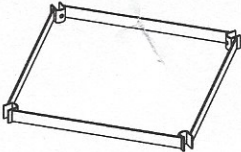

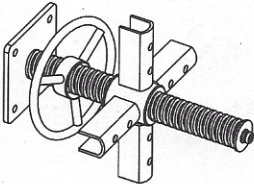





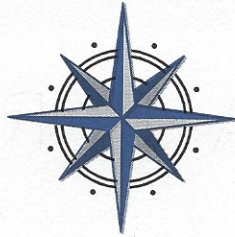
CAROLINA FORGE

Assembly Instructions
 Item # CF3317WT
 Adjustable Wood Seat Stool



Thank you for purchasing a Carolina Forge company product. This product has been designed for easy assembly and is constructed for durability. Please take the time to read and follow the assembly instructions carefully. If a part or hardware is missing or you have any difficulties in assembling this product, please contact us Toll Free 1-800-228-3876.

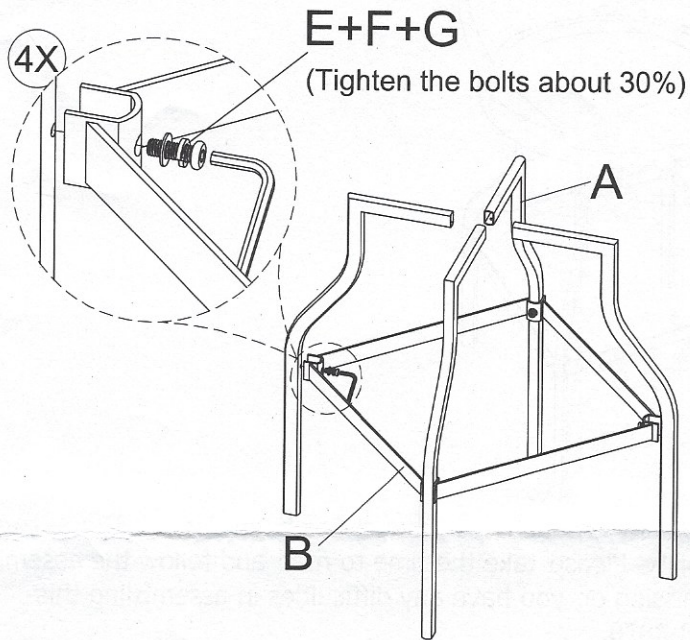
NO.	PART	DESCRIPTION	Q'TY	NO.	PARTS	DESCRIPTION	Q'TY
A		Leg	4PCS	E		Allen Head Bolt 1/4" x 5/8"	16PCS
B		Foot Rest	1PC	F		Spring Washer • 40	16PCS
C		Swivel Shaft	1PC	G		Flat Washer • 42*T1.0	16PCS
D		Seat	1PC	J		Allen Head Wrench 4MM	1PC



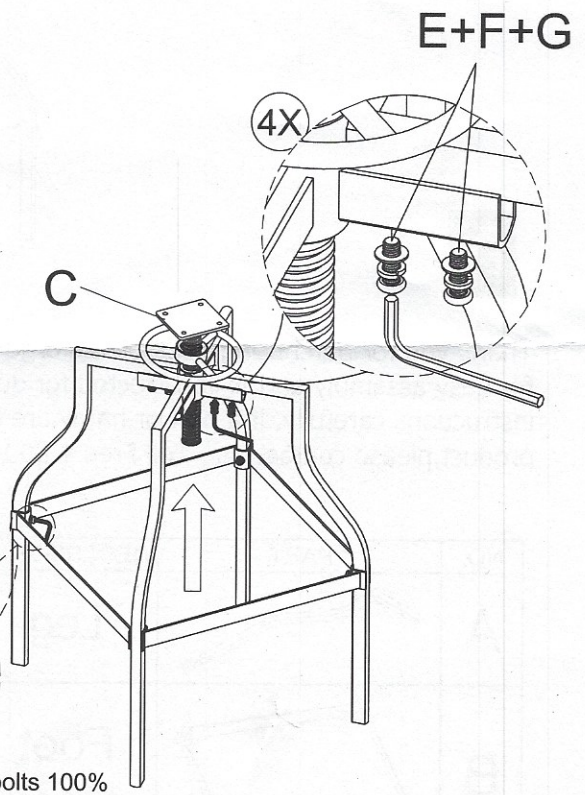
CAROLINA FORGE

Assembly Instructions
Item # CF3317WT
Adjustable Wood Seat Stool

STEP 1



STEP 2



STEP 3

