






9300124

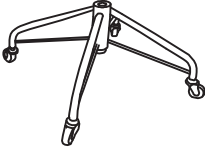

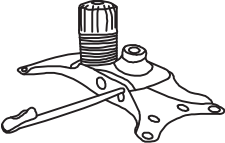

THOMPSON KD
FABRIC SWIVEL
OFFICE ARM CHAIR

ASSEMBLY
INSTRUCTIONS

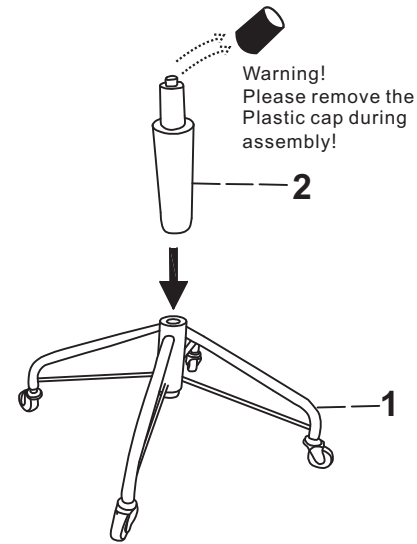
HARDWARE

Ax4	Bx4	Cx1			
					
M6	M6X16MM	M6			

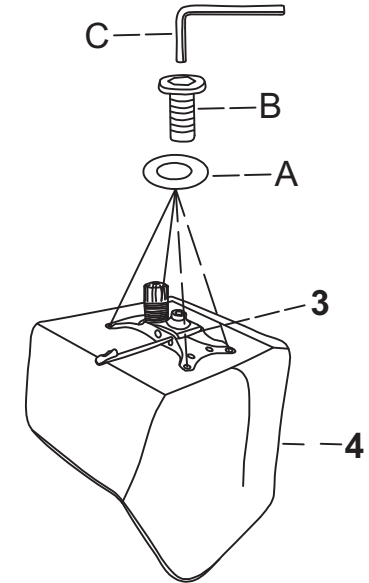
PARTS

1x1		2x1	
3x1		4x1	

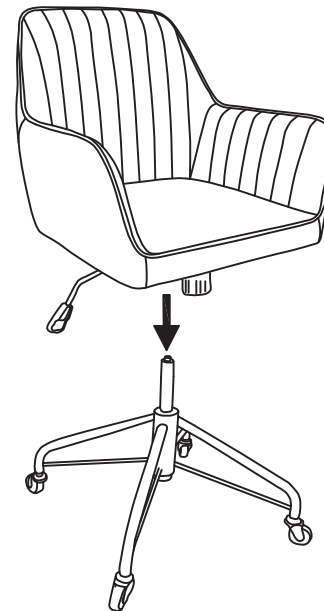
(1)



(2)



(3)



(4)

