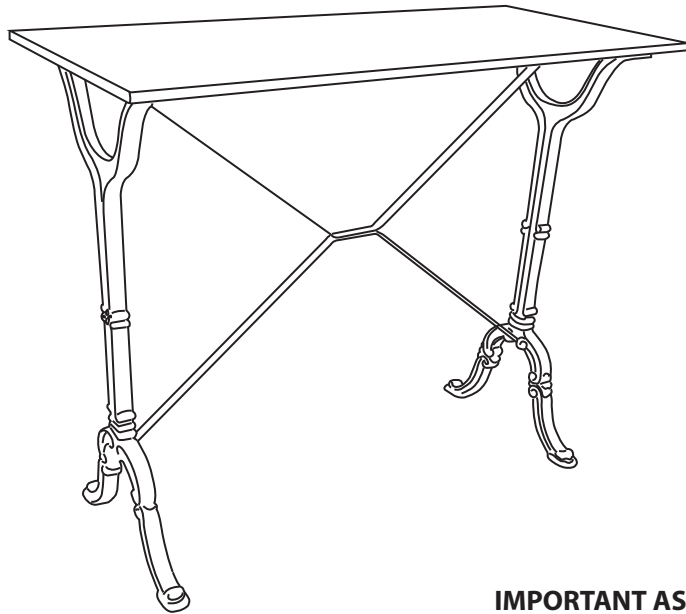




CAROLINA FORGE

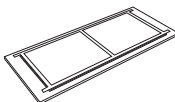
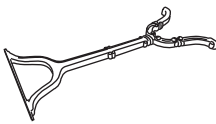
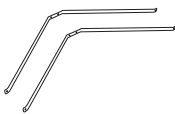
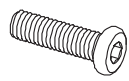
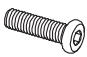



Assembly Instructions
 Item # MT3642/ 4230
 Marble Top with Metal Base Console



IMPORTANT ASSEMBLY INSTRUCTIONS:
 DO NOT TIGHTEN SCREWS COMPLETELY
 UNTIL CONSOLE IS FULLY ASSEMBLED



Thank you for purchasing a Carolina Forge Company product. This product has been designed for easy assembly and is constructed for durability. Please take the time to read and follow the assembly instructions carefully. If a part or hardware is missing or you have any difficulties in assembling this product, please contact Customer Service at support@carolinachairandtable.com or call us Toll-Free at 1-800-228-3876.

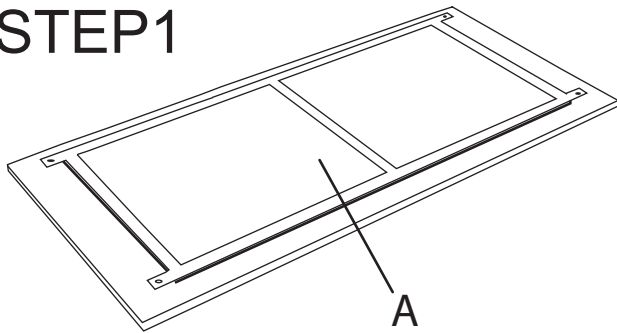
NO.	PARTS	DESCRIPTION	Q'TY	NO.	PARTS	DESCRIPTION	Q'TY
A		Marble Table top	1 PC	B		Leg	2 PC
C		Middle stretcher	2PCS	D		Allen Head Bolt 6 x 16mm	8PCS
E		Allen Head Bolt 6 x 12mm	2PCS	F		Flat Washer	10PCS
G		Spring Washer	8PCS	H		Allen Head Wrench 4mm	1 PC



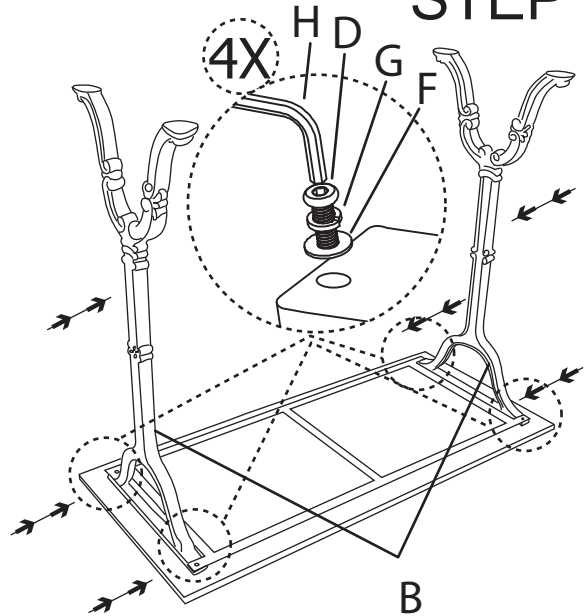
CAROLINA FORGE

Assembly Instructions
Item # MT3642/ 4230
Marble Top with Metal Base Console

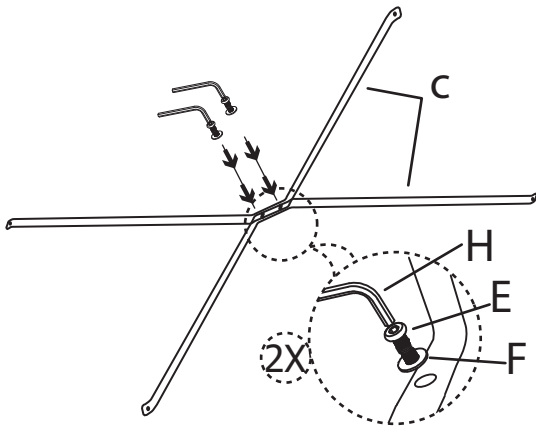
STEP 1



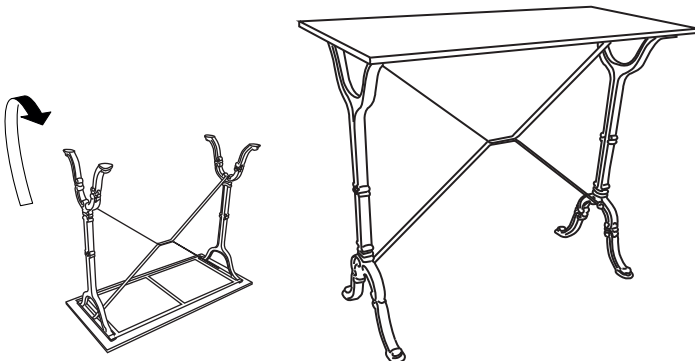
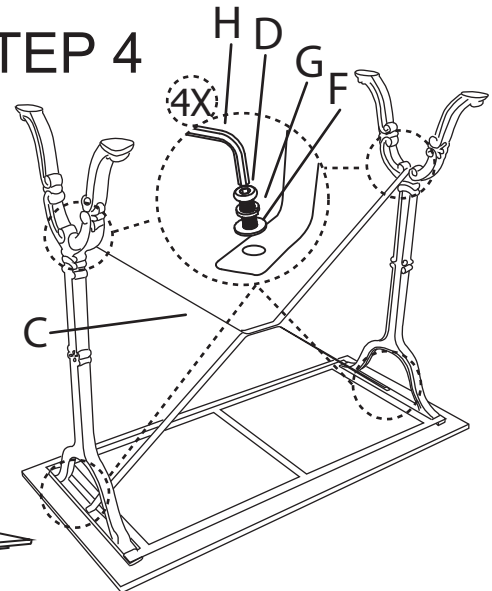
STEP 2



STEP 3



STEP 4



IMPORTANT ASSEMBLY INSTRUCTIONS:
DO NOT TIGHTEN SCREWS COMPLETELY
UNTIL CONSOLE IS FULLY ASSEMBLED

WARNING:

Thank you for your purchase. Our items are intended for residential use only.

To clean and maintain your furniture we recommend dry dust with a soft clean cloth.

Do not use harsh chemicals to clean your furniture as this could damage the protective top coat and/or finish. 2 of 2